



Class 1 Division 2

Key Features

- FEATURES:** Round Traffic Light (Rugged)
Horizontal or Vertical
BAA (Buy American Act)
- OPTIONS:** 4 Mounting Styles
Military Grade Lens
1, 2 or 3 Eyes
R, RG, RGY Color Combinations

Compliance

UL 844 Hazardous Locations
Class I Division 2 Groups A, B, C, D
Class I Zone 2 Group IIC
Class II Division 1 Groups E, F
Class II Division 2 Groups E, F
Class II Zone 20, 21, or 22 Group II B
Class III
UL 1598 Suitable for Wet Locations
UL 1598A Marine Saltwater

CSA C22.2 No. 250.0
CSA C22.2 No. 137
IP66 per IEC 60598-1 @ -40°C to +45°C (-40°F to +114°F)
1Ex d IIC T5 @ -40°C to +45°C (-40°F to +113°F)



(BAA) Buy American Act, meeting the requirements for domestic manufacturing and material sourcing as outlined in 41 U.S.C. §§

Applications

Oil and Gas

Petroleum production and refining
Petroleum loading, storage, transportation and retail
Confined spaces with vapor accumulation
LNG and LPG handling
Oil tankers and shipping vessels
Fuel system testing facilities

Power Plants

Coal-fired power plants, including coal handling and storage areas
Gas-fired power plants with fuel storage
Nuclear power facilities in hazardous auxiliary areas
Biomass or waste-to-energy plants with combustible dust risks

Industrial

Industrial storage facilities
Paper mills, sawmills and lumber yards
Loading dock platforms
Manufacturing plants for heavy industrial goods
Warehouses handling flammable materials

Waste Treatment

Wastewater treatment plants
Pumping stations
Solid waste processing and incineration facilities
Sewage treatment with methane gas risks
Hazardous waste recycling centers

Mining

Operations and service areas
Underground mining tunnels with gas accumulation

Chemical Industry

Chemical production, processing and storage facilities
Solvent handling and mixing areas
Chemical research labs with flammable substances

Ocean, Marine and Aerospace

Offshore platform operation facilities and structures
Marine and saltwater environments
Aerospace clean rooms and production areas
Ocean vessel operations
Shipyards and dry docks
Aircraft hangars with fuel vapors

Metal Treatment

Paint facilities
Steel and aluminum factories
Metal smelting, foundry and fabrication
Welding and cutting areas with gas risks

Military and Defense

Ammunition storage and handling
Fuel depots and refueling stations
Explosives manufacturing
Vehicle maintenance bays in hazardous zones

Food, Alcohol and Agriculture Industry

Flour and fine particle production and storage
Food and distilling production
Grain storage elevators and silos
Breweries and fermentation tanks
Feed mills with dust risks
Fertilizer production and storage

Pharmaceutical Industry

Drug manufacturing and solvent handling
Clean rooms with volatile compounds
Pill coating and drying areas
Research and development labs

Other high humidity, high dust, high temperature and vapor locations

Specifications

| Wattage | 15W | 30W | 45W |
|---------------------------------|--|------------|------------|
| OPTICAL | | | |
| Lumen Output | N/A | N/A | N/A |
| Lumens Per Watt | N/A | N/A | N/A |
| Color Temperature: CCT | R: Red RG: Red/Green RYG: Red/Yellow/Green | | |
| CRI (Color Rendering Index) | > 70 | | |
| Beam Angle | 120° | | |
| Light Source | XTE CREE | | |
| ENVIRONMENTAL | | | |
| Ambient Operating Temperature | -40°C to +45°C (-40°F to +113°F) | | |
| Temperature Code | T5 (+55°C) | T5 (+55°C) | T5 (+55°C) |
| MECHANICAL | | | |
| Housing Material | Copper free aluminum alloy | | |
| Lens Diffuser | Military Grade UL94 V-0 rated Lexan Tempered clear borosilicate glass | | |
| Hardware | Marine grade stainless steel | | |
| Finish | Polyester powder coat finish | | |
| Mounting | TB: Pole Mount Vertical TBH: Pole Mount Horizontal UC: Universal Mount Vertical UCH: Universal Mount Horizontal | | |
| Cable Entry | Classified for CID2 nickel plated brass adapter from M20 to 3/4" with 6' of wire | | |
| Warranty | 5 Year Standard Warranty | | |
| ELECTRICAL | | | |
| Lifespan | L70> 70,000 Operational Hours (RV) @ 25°C L70> 100,000 Operational Hours (LV) @ 25°C L70> 40,000 Operational Hours @ 55°C | | |
| Input Frequency | 50/60Hz | | |
| Power Factor | > 0.95 | | |
| Input Power (+25°) | 20W | 40W | 60W |
| THD (Total Harmonic Distortion) | < 30% | | |
| LED Driver | Custom made 100-280VAC, 50/60Hz, 230-370VDC, 15-36VDC (LV) | | |
| LED Driver Protection | Overload, short-circuit protection | | |
| Surge Protection | 1kV (Except LLV) | | |
| Inrush Current | 15A | 30A | 45A |

Ordering Logic

ORDER EXAMPLE: TL HL TB SPC RV D120 RG 30W B 2E

| (1) Product | (2) Product Category | (3) Mounting | (4) Lens | (5) Voltage | (6) Optics | (7) Color | (8) Wattage | (9) Body Color | (10) Eye |
|-------------|------------------------------------|--|----------------------------------|--|-------------|---|--|----------------|--|
| TL HL | HL - Hazardous Location Rated Body | TB - Pole Mount Vertical (S) TBH - Pole Mount Horizontal UC - Universal Mount Vertical UCH - Universal Mount Horizontal | SPC - Special Polycarbonate Lens | RV - 120-277 VAC, 50/60 Hz LV - Low Voltage 12 VDC (SO) | D120 - 120° | R - Red RG - Red/Green RYG - Red/Yellow/Green | 15W (5,200 lm) 1 Eye 30W (8,700 lm) 2 Eye 45W (8,700 lm) 3 Eye | B - Black | 1E - 1 Eye 2E - 2 Eye 3E - 3 Eye |

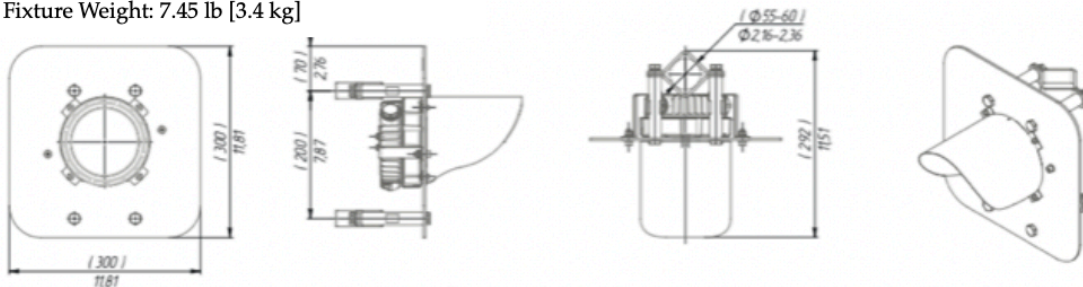
(S) Standard

Product Dimensions

TL-HL-TB 15W

TB Bracket

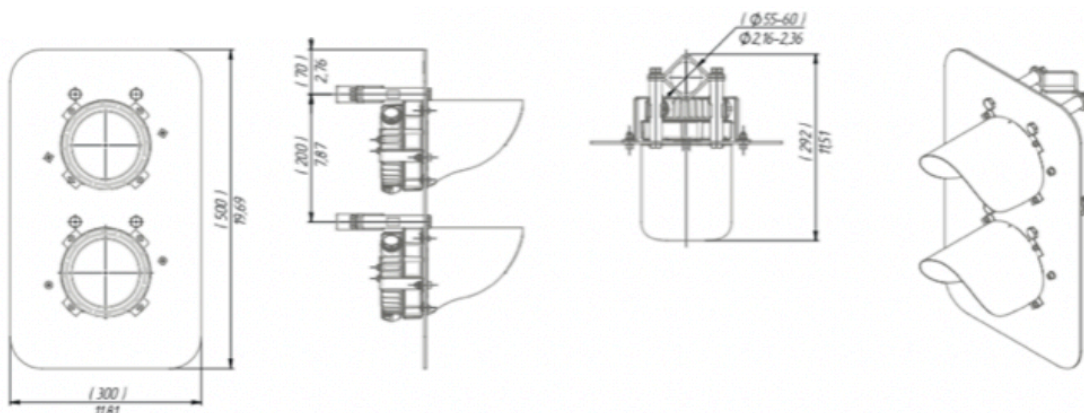
Fixture Weight: 7.45 lb [3.4 kg]



TL-HL-TB 30W

TB Bracket

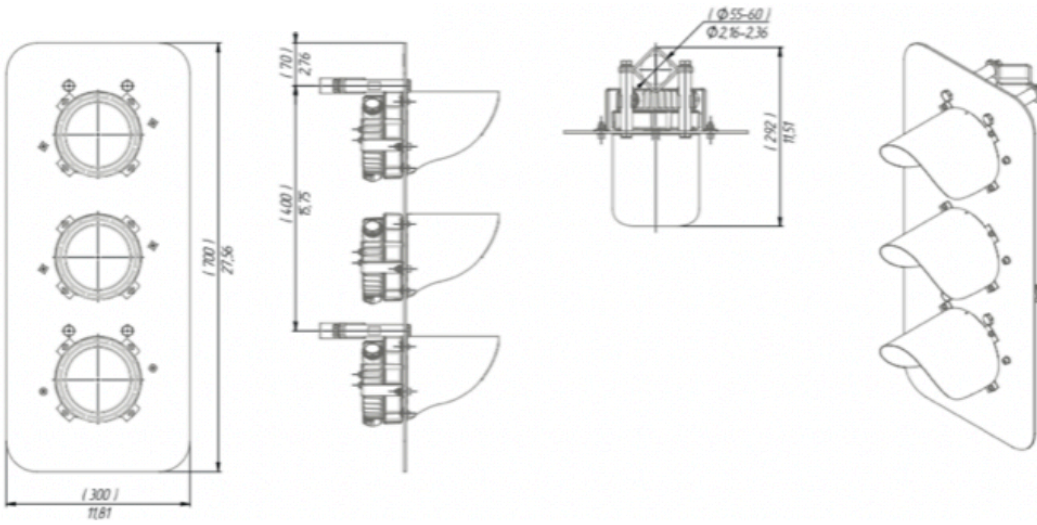
Fixture Weight: 12.0 lb [5.5 kg]



TL-HL-TB 45W

TB Bracket

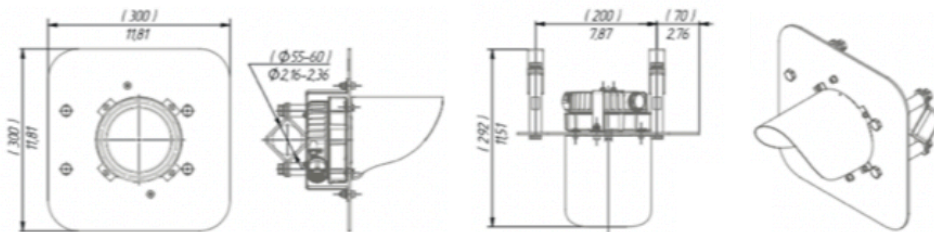
Fixture Weight: 16.6 lb [7.5 kg]



TL-HL-TBH 15W

TBH Bracket

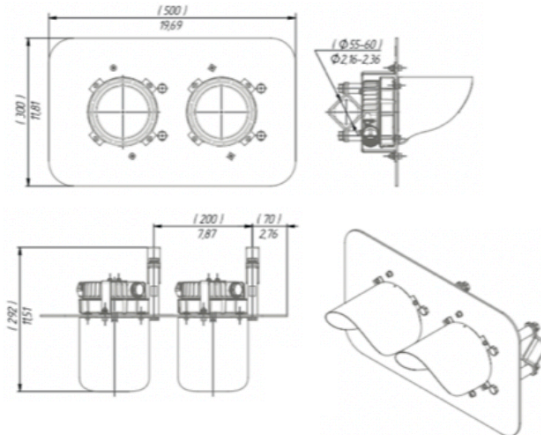
Fixture Weight: 7.45 lb [3.4 kg]



TL-HL-TBH 30W

TBH Bracket

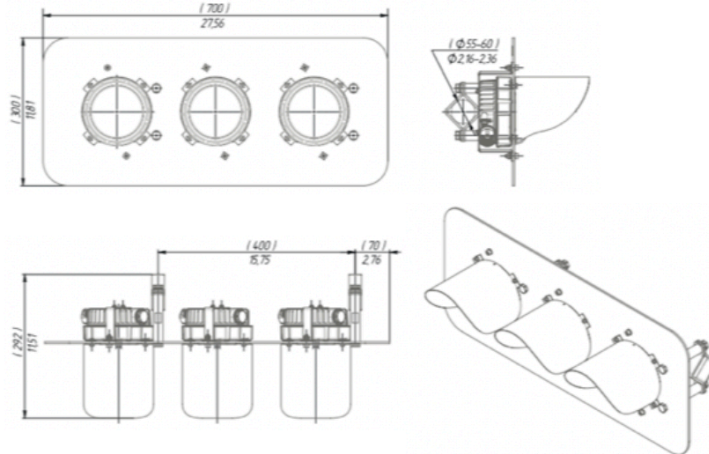
Fixture Weight: 12.0 lb [5.5 kg]



TL-HL-TBH 45W

TBH Bracket

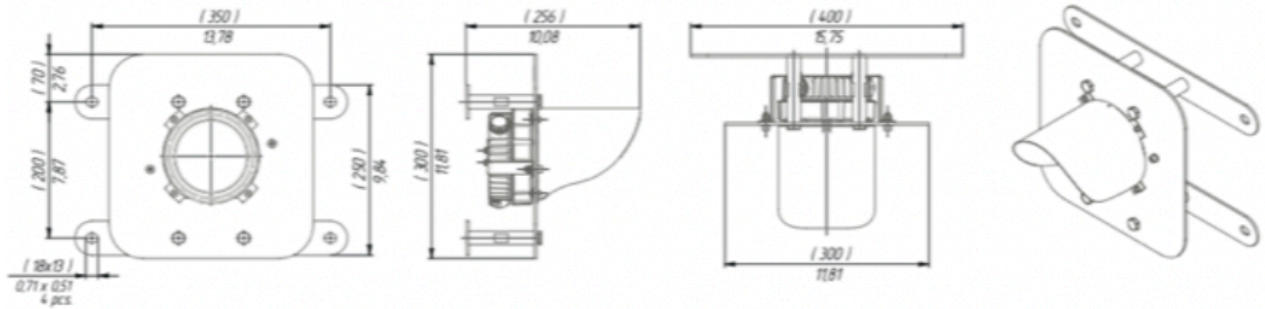
Fixture Weight: 16.6 lb [7.5 kg]



TL-HL-UC 15W

UC Bracket

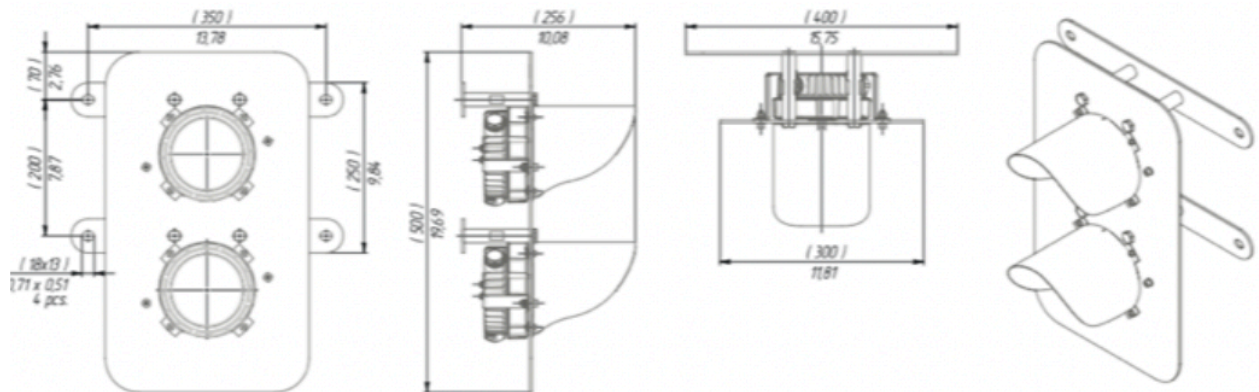
Fixture Weight: 8.93 lb [4.1 kg]



TL-HL-UC 30W

UC Bracket

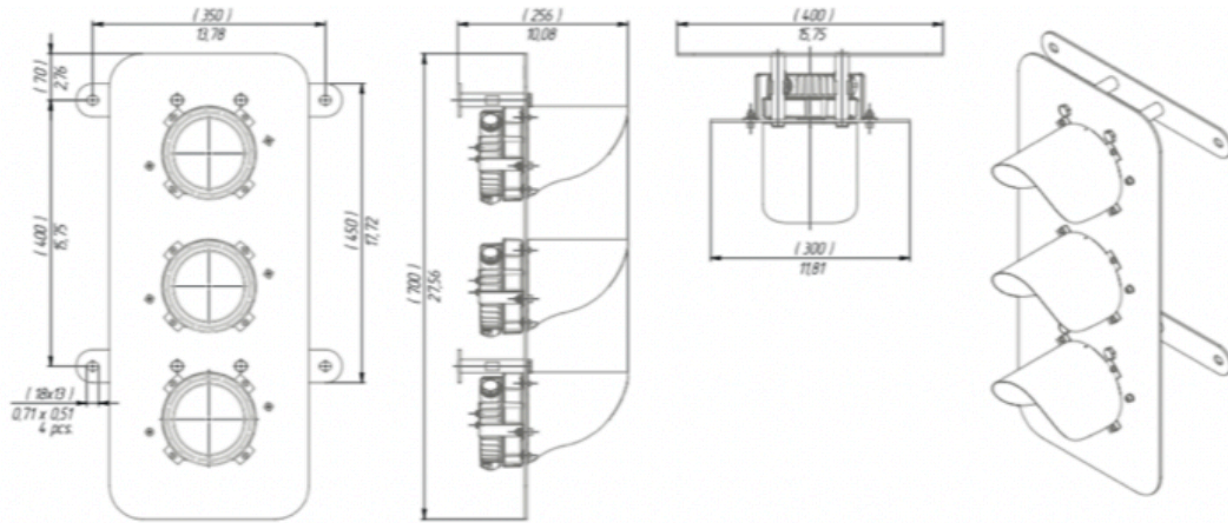
Fixture Weight: 13.49 lb [6.1 kg]



TL-HL-UC 45W

UC Bracket

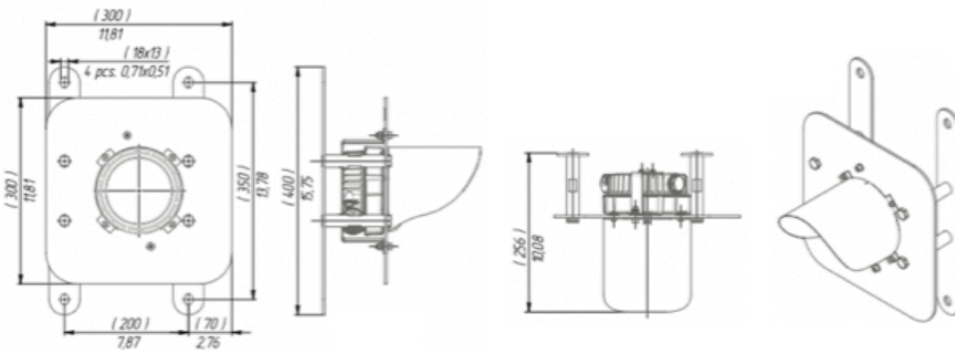
Fixture Weight: 18.08 lb [8.2 kg]



TL-HL-UCH 15W

UCH Bracket

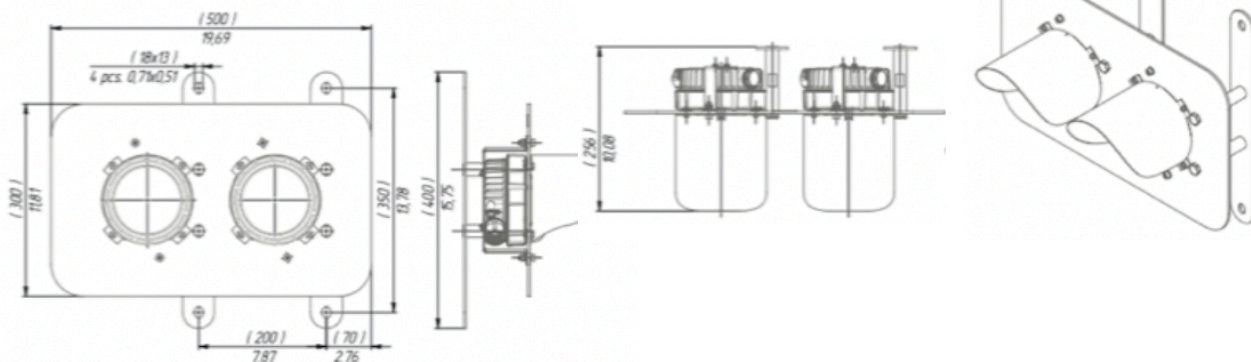
Fixture Weight: 8.93 lb [4.1 kg]



TL-HL-UCH 30W

UCH Bracket

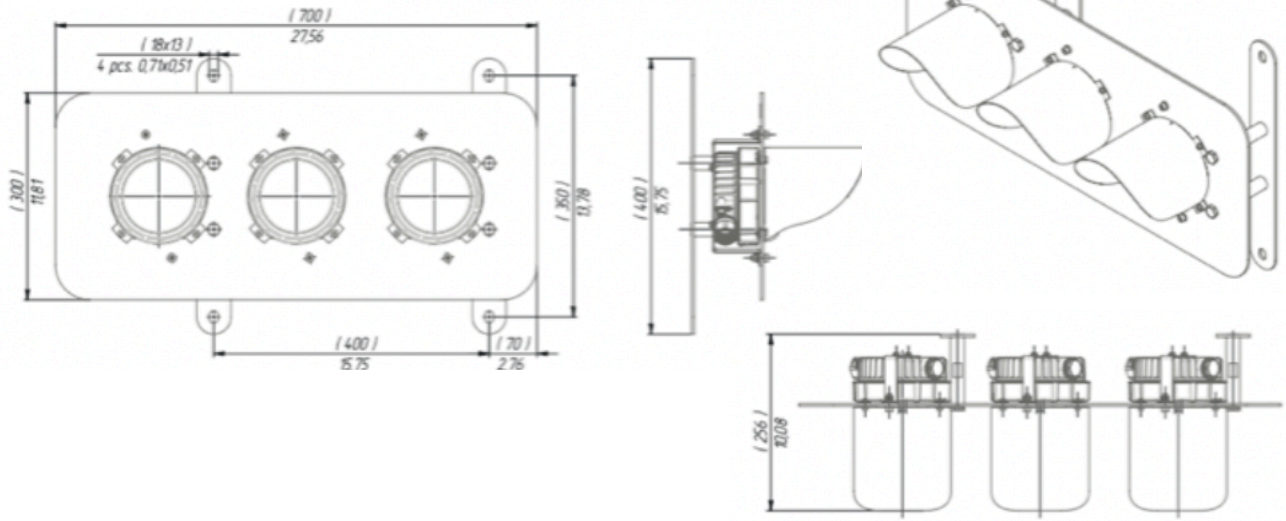
Fixture Weight: 13.49 lb [6.1 kg]



TL-HL-UCH 45W

UCH Bracket

Fixture Weight: 13.49 lb [6.1 kg]



Packaging Information

| | | | |
|--------------------|--|---|---|
| Pieces | 1 | | |
| Fixture Dimensions | See Product Dimensions Drawing | | |
| Net Fixture Weight | TB/TBH 7.45 LBS (3.4 KG) UC/UCH 8.93 LBS (4.1 KG) | TB/TBH 12.0 LBS (5.5 KG) UC/UCH 13.49 LBS (6.1 KG) | TB/TBH 16.6 LBS (7.5 KG) UC/UCH 18.08 LBS (8.2 KG) |