



**Class 1 Division 1**



## Key Features

- FEATURES:** Emergency Sign (Rugged)  
3 Hour Emergency Back-Up  
High Voltage  
Edge Lit  
Low Energy Consumption
- OPTIONS:** Red or Green Sign  
Sign remains on or only with power outage  
Alternate Languages Available

# Compliance

UL 844 Hazardous Locations  
Class I Division 1 Groups B, C, D  
Class I Division 2 Groups A, B, C, D  
Class II Division 1 Groups E, F, G  
Class II Division 2 Groups F, G  
Class III

UL 924 Emergency Lighting  
UL 121201/CSA NO. 213  
CSA C22.2 No. 137-18

# Applications

## **Oil and Gas**

Petroleum production and refining  
Petroleum loading, storage, transportation and retail  
Confined spaces with vapor accumulation  
LNG and LPG handling  
Oil tankers and shipping vessels  
Fuel system testing facilities

## **Power Plants**

Coal-fired power plants, including coal handling and storage areas  
Gas-fired power plants with fuel storage  
Nuclear power facilities in hazardous auxiliary areas  
Biomass or waste-to-energy plants with combustible dust risks

## **Industrial**

Industrial storage facilities  
Paper mills, sawmills and lumber yards  
Loading dock platforms  
Manufacturing plants for heavy industrial goods  
Warehouses handling flammable materials

## **Waste Treatment**

Wastewater treatment plants  
Pumping stations  
Solid waste processing and incineration facilities  
Sewage treatment with methane gas risks  
Hazardous waste recycling centers

## **Mining**

Operations and service areas  
Underground mining tunnels with gas accumulation

## **Chemical Industry**

Chemical production, processing and storage facilities  
Solvent handling and mixing areas  
Chemical research labs with flammable substances

## **Ocean, Marine and Aerospace**

Offshore platform operation facilities and structures  
Marine and saltwater environments  
Aerospace clean rooms and production areas  
Ocean vessel operations  
Shipyards and dry docks  
Aircraft hangars with fuel vapors

## **Metal Treatment**

Paint facilities  
Steel and aluminum factories  
Metal smelting, foundry and fabrication  
Welding and cutting areas with gas risks

## **Military and Defense**

Ammunition storage and handling  
Fuel depots and refueling stations  
Explosives manufacturing  
Vehicle maintenance bays in hazardous zones

## **Food, Alcohol and Agriculture Industry**

Flour and fine particle production and storage  
Food and distilling production  
Grain storage elevators and silos  
Breweries and fermentation tanks  
Feed mills with dust risks  
Fertilizer production and storage

## **Pharmaceutical Industry**

Drug manufacturing and solvent handling  
Clean rooms with volatile compounds  
Pill coating and drying areas  
Research and development labs

## **Other high humidity, high dust, high temperature and vapor locations**

# Specifications

Wattage	1W	2W	3W	4W	5W
---------	----	----	----	----	----

## ENVIRONMENTAL

Ambient Operating Temperature	-10°C to +60°C (14°F to +140°F)
-------------------------------	---------------------------------

## MECHANICAL

Housing Material	A356T6 aluminum with baked-on Grey epoxy finish
Hardware	Stainless Steel
Gasket	One-piece silicone
Fixture Color	Grey
Configuration	<b>Model 1:</b> EXIT sign remains on with or without mains electricity <b>Model 2:</b> EXIT sign does not light up when there is mains electricity, but only lights up when there is a power outage.
Cable Entry	3/4" NPT or M25 Conduit hubs
Warranty	5 Year Standard Warranty

## ELECTRICAL

Lifespan	L70> 50,000 Operational Hours @ 40°C
Input Voltage	100-277VAC, 100-347V
Input Frequency	50/60Hz

## EMERGENCY

Emergency Time	3 Hour (Standard)
Glass EXIT Sign Plate	Edge Lit, Tempered Glass

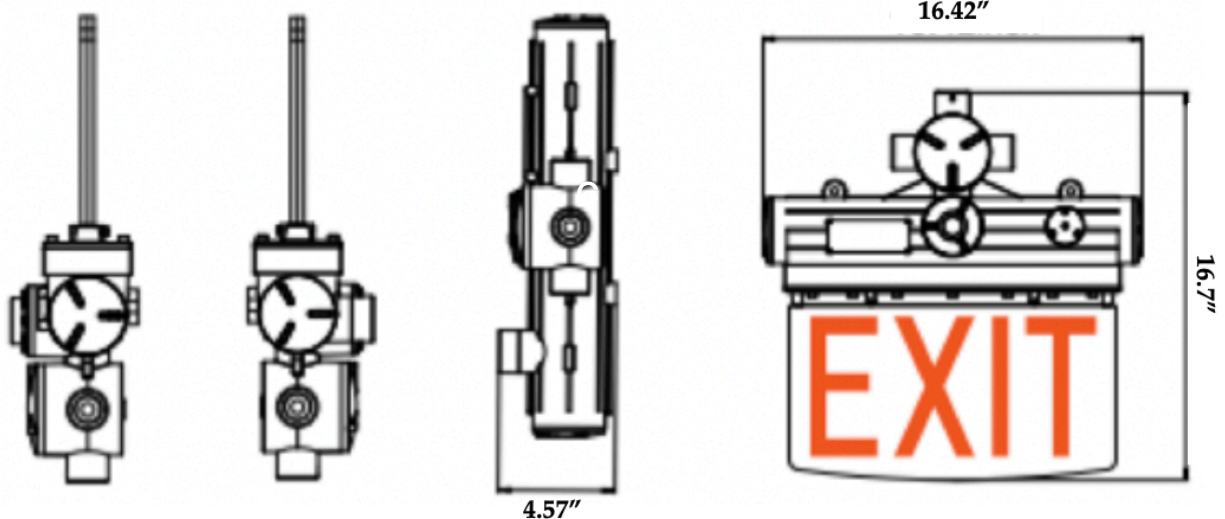
# Ordering Logic

ORDER EXAMPLE: ES J EX 5W J D R D180 M1

(1) Product	(2) Product Category	(3) Wattage	(4) Shape Series	(5) Dimming
ES J	EX - Explosion Proof	1W 2W 3W 4W 5W (S)	J	D - Dimmable N - Non-Dimmable
(6) Color	(7) Beam Angle	(8) Configuration		
R - Red G - Green	D180 - 180°	M1 - Sign Remains On W/Wo main electricity M2 - Sign Only Lights Up With Power Outage M2 - Sign Only Lights Up With Power Outage		

(S) Standard

# Product Dimensions

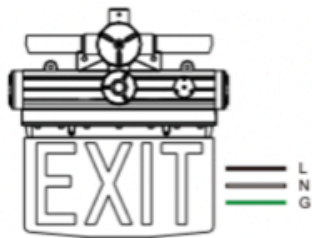


# Packaging Information

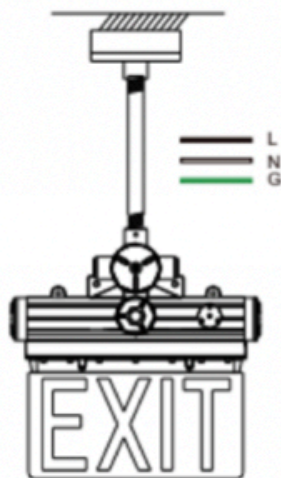
Pieces	2
Fixture Dimensions	See Product Dimensions Drawing
Package Dimensions	18.50" x 18.50" x 10.24" (470mm x 470mm x 260mm)
Net Fixture Weight	13.23 lbs 6.0 kg
Gross Weight	30.86 lbs 14.0 kg

# Mounting Methods

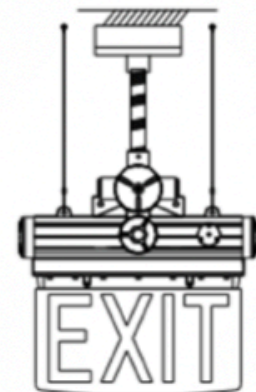
**Option 1:  
Wall Mounting**



**Option 2:  
Pendant Mounting**



**Option 2:  
Pendant Mounting  
With Safe Wires**



# Function Options

**Model 1:** EXIT sign remains on with or without mains electricity.

**Model 2:** EXIT sign does not light up when there is mains electricity, but only lights up when there is power outage.

# Indicator Light

If three or two indicator lights remain on during initial power on, it is necessary to reset them by detecting the switch: press the switch "ON" for 5 to 6 seconds ->OFF ->ON.

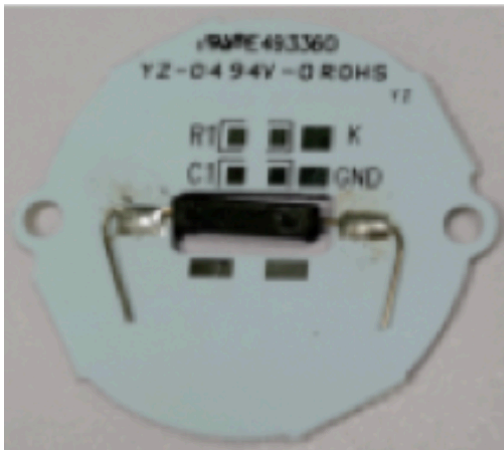
**RED:** Fast charging for 2 hours.  
Charging indicator, displaying 20% -80% battery capacity.

**GREEN:** Trickle charging.  
Charging indicator, displaying 80% -100% battery capacity.  
Green light on when disconnecting the battery.

**RED & GREEN:** Red and Green flashes alternately for 5 minutes, indicating that it is at 80% battery capacity.

**YELLOW:** Discharge below 20%.  
If the yellow light is on in any state, the product is out of order.

# Switch Description



Press the switch "ON" once, the EXIT sign and indicator light will flash once, with an ON/OFF interval of 10 seconds.

With mains electricity disconnected, long press and hold the switch for

3 to 5 seconds to turn off the product. If the EXIT sign needs to be turned on again, it will be activated through mains electricity.

The product will automatically have monthly inspection. EXIT sign and indicator light will flash once every 30 or 31 days.

The product will automatically have an annual inspection. EXIT sign and indicator light will flash twice every year