



Class 1 Division 1



Key Features

- FEATURES:** Emergency Sign (Rugged)
Cost Effective
Compact
Light Weight
3 Mounting Styles
3 Hour Emergency Back-Up
- OPTIONS:** Red or Green Sign Color Options
Sign remains on or only with power outage

Compliance

UL 844 Hazardous Locations
Class I Division 2 Groups A, B, C, D
Class II Division 1 Groups E, F, G
Class II Division 2 Groups F, G
Class III

UL 924 Emergency Lighting
ABS

Applications

Oil and Gas

Petroleum production and refining
Petroleum loading, storage, transportation and retail
Confined spaces with vapor accumulation
LNG and LPG handling
Oil tankers and shipping vessels
Fuel system testing facilities

Power Plants

Coal-fired power plants, including coal handling and storage areas
Gas-fired power plants with fuel storage
Nuclear power facilities in hazardous auxiliary areas
Biomass or waste-to-energy plants with combustible dust risks

Industrial

Industrial storage facilities
Paper mills, sawmills and lumber yards
Loading dock platforms
Manufacturing plants for heavy industrial goods
Warehouses handling flammable materials

Waste Treatment

Wastewater treatment plants
Pumping stations
Solid waste processing and incineration facilities
Sewage treatment with methane gas risks
Hazardous waste recycling centers

Mining

Operations and service areas
Underground mining tunnels with gas accumulation

Chemical Industry

Chemical production, processing and storage facilities
Solvent handling and mixing areas
Chemical research labs with flammable substances

Ocean, Marine and Aerospace

Offshore platform operation facilities and structures
Marine and saltwater environments
Aerospace clean rooms and production areas
Ocean vessel operations
Shipyards and dry docks
Aircraft hangars with fuel vapors

Metal Treatment

Paint facilities
Steel and aluminum factories
Metal smelting, foundry and fabrication
Welding and cutting areas with gas risks

Military and Defense

Ammunition storage and handling
Fuel depots and refueling stations
Explosives manufacturing
Vehicle maintenance bays in hazardous zones

Food, Alcohol and Agriculture Industry

Flour and fine particle production and storage
Food and distilling production
Grain storage elevators and silos
Breweries and fermentation tanks
Feed mills with dust risks
Fertilizer production and storage

Pharmaceutical Industry

Drug manufacturing and solvent handling
Clean rooms with volatile compounds
Pill coating and drying areas
Research and development labs

Other high humidity, high dust, high temperature and vapor locations

Specifications

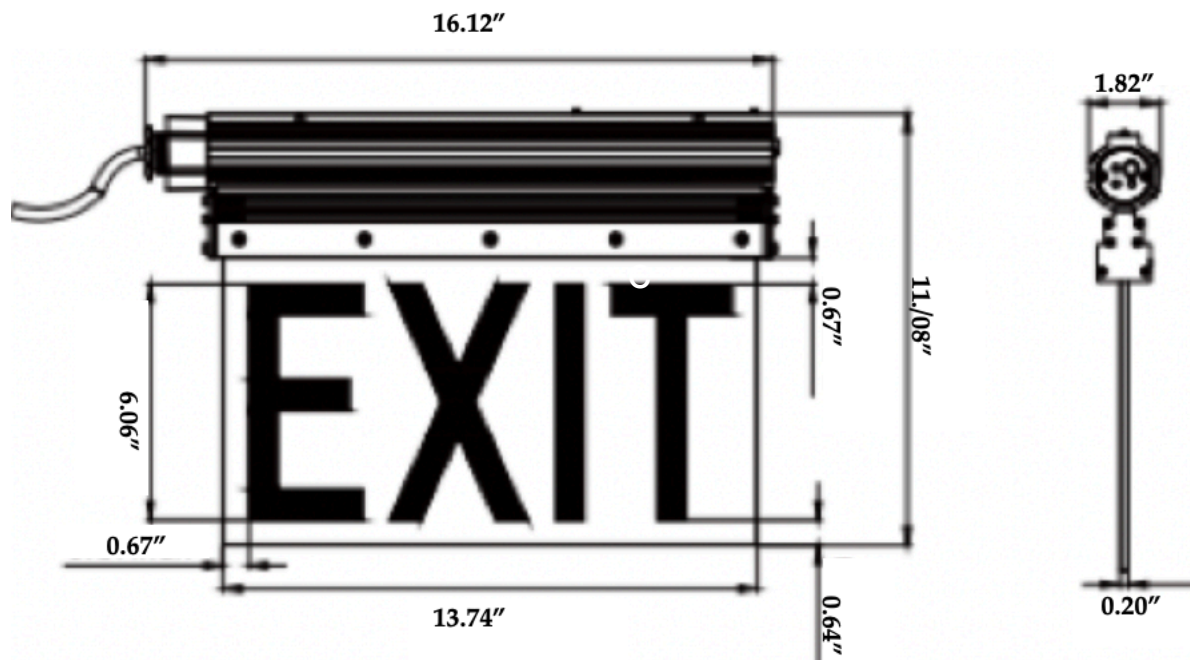
| | |
|-------------------------------|---|
| Wattage | 5W |
| OPTICAL | |
| Color Temperature: CCT | R: Red G: Green |
| ENVIRONMENTAL | |
| Ambient Operating Temperature | -20°C to +60°C (-4°F to +140°F) |
| MECHANICAL | |
| Housing Material | Aluminum |
| Hardware | Stainless Steel |
| Mounting | Pendant, Wall, Pipe |
| Configuration | Model 1: EXIT sign remains on with or without mains electricity Model 2: EXIT sign does not light up when there is mains electricity, but only lights up when there is a power outage. |
| Warranty | 5 Year Standard Warranty |
| ELECTRICAL | |
| Lifespan | L70> 50,000 Operational Hours |
| Input Voltage | 100-277VAC |
| Input Frequency | 60Hz |
| Input Current | .5A |
| EMERGENCY | |
| Emergency Time | 3 Hour (Standard) |
| Charge Time | 24 hours |
| Discharge Time | 1.5 Hour |
| Glass EXIT Sign Plate | Tempered Glass |

Ordering Logic

ORDER EXAMPLE: ES V EX 5W V D R D180 M1

| (1) Product | (2) Product Category | (3) Wattage | (4) Shape Series | (5) Dimming |
|----------------------|----------------------|--|------------------|----------------------------------|
| ES V | EX - Explosion Proof | 5W | V | D - Dimmable N - Non-Dimmable |
| (6) Color | (7) Beam Angle | (8) Configuration | | |
| R - Red G - Green | D180 - 180° | M1 - Sign Remains On W/Wo main electricity M2 - Sign Only Lights Up With Power Outage | | |

Product Dimensions

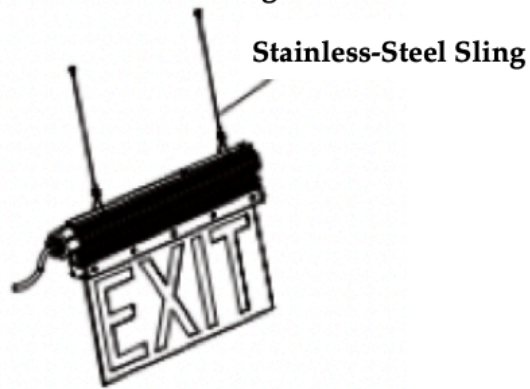


Packaging Information

| | |
|--------------------|--|
| Pieces | 2 |
| Fixture Dimensions | See Product Dimensions Drawing |
| Package Dimensions | 18.50" x 18.50" x 10.24" (470mm x 470mm x 260mm) |
| Net Fixture Weight | 7.28 lbs 3.3 kg |
| Gross Weight | 15.43 lbs 7 kg |

Mounting Methods

Option 1: Pendant Mounting



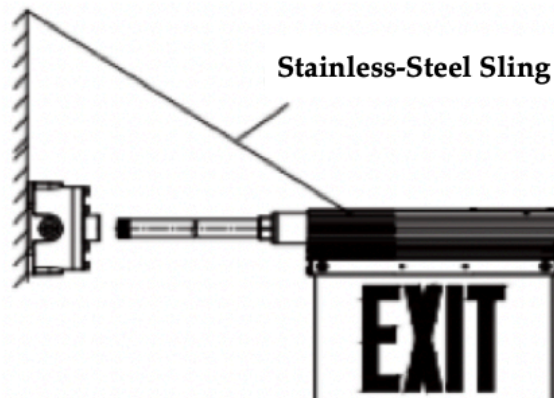
Mounting Sling

Option 2: Wall Mounting



Fix Plate

Option 3: Pipe Mounting



Function Options

Model 1: EXIT sign remains on with or without mains electricity.

Model 2: EXIT sign does not light up when there is mains electricity, but only lights up when there is power outage.

Indicator Light

If three or two indicator lights remain on during initial power on, it is necessary to reset them by detecting the switch: press the switch "ON" for 5 to 6 seconds ->OFF ->ON.

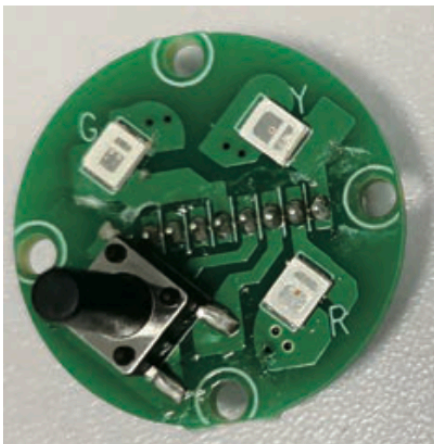
RED: Fast charging for 2 hours.
Charging indicator, displaying 20% -80% battery capacity.

GREEN: Trickle charging.
Charging indicator, displaying 80% -100% battery capacity.
Green light on when disconnecting the battery.

RED &GREEN: Red and Green flashes alternately for 5 minutes,
indicating that it is at 80% battery capacity.

YELLOW: Discharge below 20%.
If the yellow light is on in any state, the product is out of order.

Switch Description



Press the switch "ON" once, the EXIT sign and indicator light will flash once, with an ON/OFF interval of 10 seconds.

With mains electricity disconnected, long press and hold the switch for

3 to 5 seconds to turn off the product. If the EXIT sign needs to be turned on again, it will be activated through mains electricity.

The product will automatically have monthly inspection. EXIT sign and indicator light will flash once every 30 or 31 days.