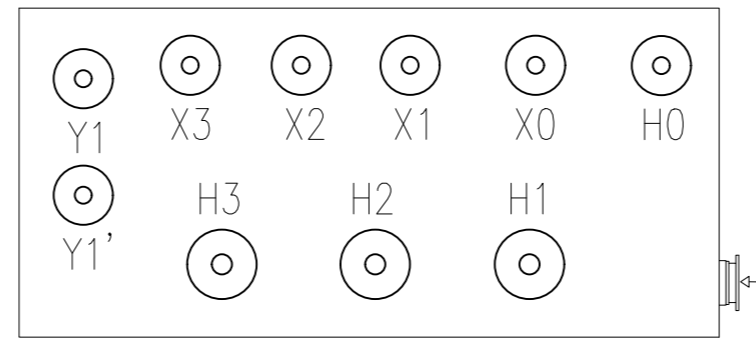
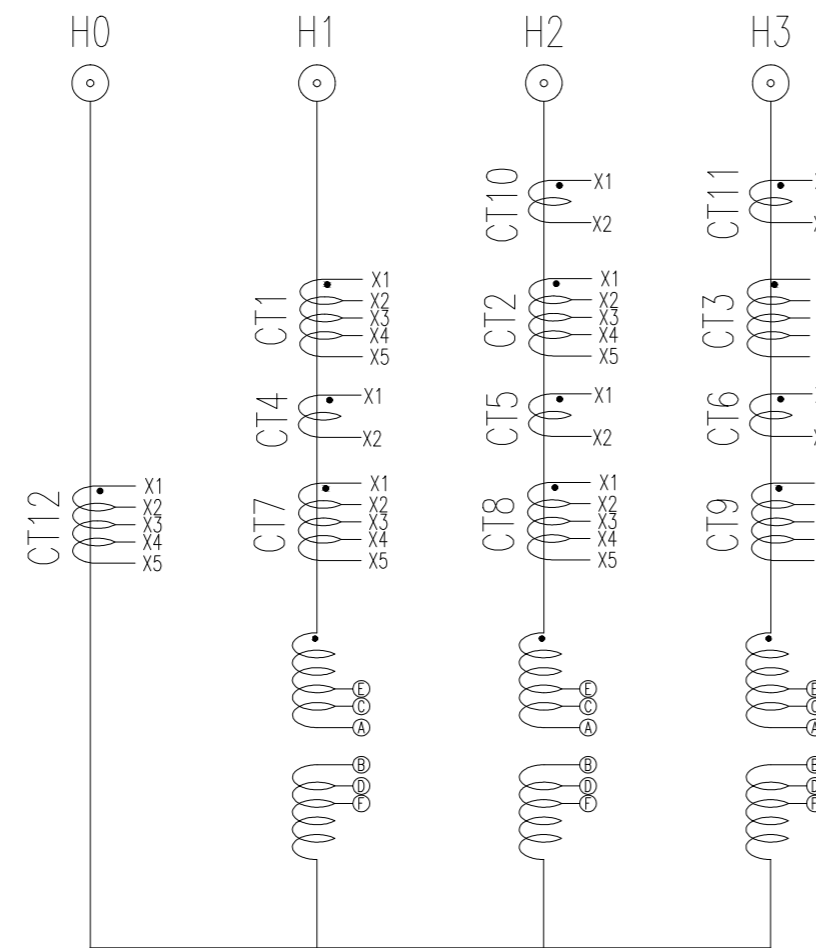


SIEMENS ENERGY

ONAN/ONAF/ONAF2 Transformer-65°C		Standard	Serial Number	Purchase Order	Customer	Month/Year
45/60/75 MVA		IEEE C57.12.00	**	**	-	
Voltage [V]			Impedance [%] @ 45 MVA		Phasor Diagram YNyn0(d1)	
Pos.	HV	LV	TV (Buried)	HV-LV		
1	72450	34500		**		
3*	69000	34500	13800	**		
5	65550	34500		**		

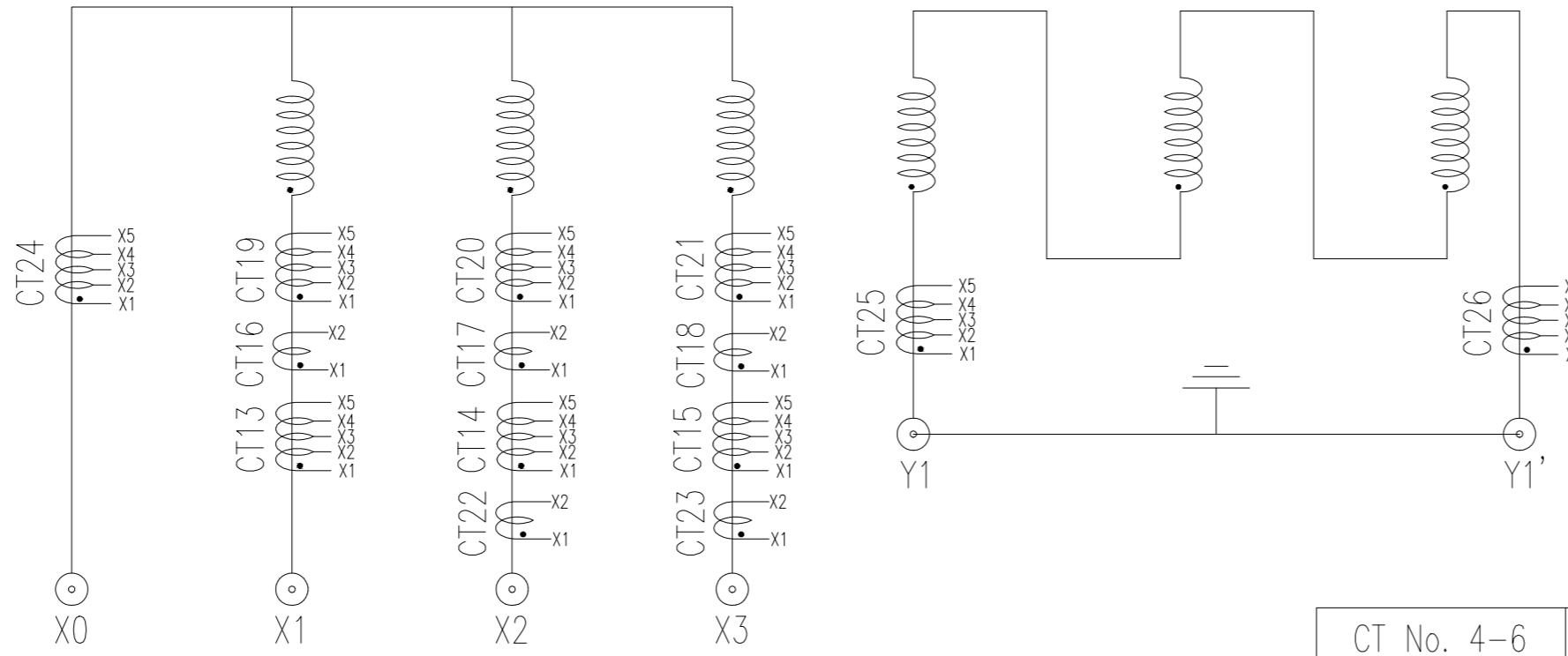
BIL Windings (HV/LV/HV_N/LV_N/TV)	350/200/200/200/110	kV	Core & coils weight	**	lb	Untanking weight	**	lb
BIL Bushings (HV/LV/HV_N/LV_N/TV)	350/350/350/350/150	kV	Tank & fittings we.	**	lb	Shipping weight	**	lb
Frequency	60	Hz	Liquid weight	**	lb	Total weight	**	lb
Phases	3		Liquid volume	**	gal	Insulating liquid	Mineral Oil	
Altitude m.a.s.l	1000		Liquid level change/10°C	**	in	Tank designed for	14.7 psi vacuum filling	
Material HV/LV	Cu / Cu		Liquid level below top surface of the highest manhole flange at 25°C	**	in	Operating pressure of liquid preservation system (Max/Min)	** / ** psi	
Operation	Step-Up	Type	ckLUM 17013-22 s/69		Installation and operating instruction H1973301.302			
Power rating TV-Buried (ONAN/ONAFI/ONAFII)	10.2/13.6/17		MVA		Tap Changer (DETC) SEI 800A-72KV 5POS			



De-Energized Tap Changer
OPERATE WITHOUT VOLTAGE!

Tap	Voltage [V]	Current [A]		Connection [DETC]
		ONAN	ONAF2	
		1	72450	
2	70725	367	612	B-C
3*	69000	377	628	C-D
4	67275	386	644	D-E
5	65550	396	661	E-F

Voltage [V]	Current [A]	
	ONAN	ONAF2
34500	753	1255



CT No.	C400 100VA
1-3,7-9,12	X1-X5 1200:5
	X2-X5 1000:5
	X3-X5 900:5
	X1-X4 800:5
	X2-X4 600:5
	X3-X4 500:5
	X4-X5 400:5
	X1-X3 300:5
	X1-X2 200:5
	X2-X3 100:5

CT No.	C400 100VA
13-15,19-21,24	X1-X5 2000:5
	X2-X5 1600:5
	X1-X4 1500:5
	X1-X3 1200:5
	X2-X4 1100:5
	X2-X3 800:5
	X4-X5 500:5
	X1-X2 400:5
	X3-X4 300:5

CT No.	C800 200VA
25,26	X1-X5 600:5
	X2-X5 500:5
	X3-X5 450:5
	X1-X4 400:5
	X2-X4 300:5
	X3-X4 250:5
	X4-X5 200:5
	X1-X3 150:5
	X1-X2 100:5
	X2-X3 50:5

CT No. 4-6	0.3B1.8 45VA
METERING TRF=2.0	X1-X2 600:5

CT No. 10	1.2B0.9 22.5VA
W.T.I	X1-X2 665:5

CT No. 11	1.2B0.9 22.5VA
W.T.I	X1-X2 662:2

CT No. 16-18	0.3B1.8 45VA
METERING TRF=2.0	X1-X2 800:5

CT No. 22	1.2B0.9 22.5VA
W.T.I	X1-X2 1260:5

CT No. 23	1.2B0.9 22.5VA
W.T.I	X1-X2 1260:2

Siemens Energy is a trademark licensed by Siemens AG.

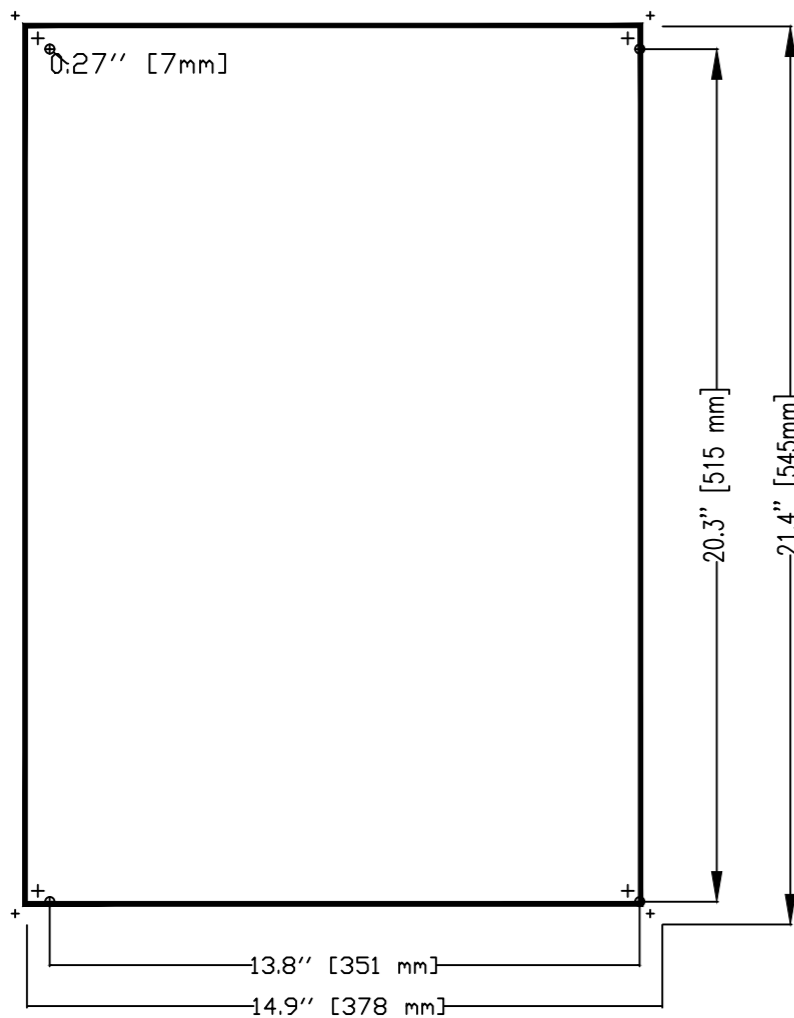
*Contains no detectable level of PCB (less than 2 PPM) at the time of manufacture.

*Delivery connection

Ref. LDT/ 10240

Made in Colombia / Tenjo

Nameplate Dimensions



* CTs # 10 and # 22 are for thermal image connected to the temperature monitor.

MATERIAL: ANODIZED ALUMINUM
THICKNESS: 0.025" [0.635mm]
BLACK BACKGROUND - WHITE LETTERS
DRILLING DIAMETER: 4mm

Date:	01/11/2022	Approved	1. Bushings BIL corrected. DETC reference added. PAEZD. 11/17/2022. 2. Updated according to customer comments. PAEZD. 12/15/2022.	
Team	PTD T-PDE	Designed:	PAEZD	Checked:
		Checked:	RODRIGUEZ J	
SIEMENS ENERGY		SAT		General Tolerance DIN 7168-g
Customer Name		" C L C		1:1
Manufacture Nr.		10240		0 Rev.
DWG Nr.		LDT W D 30000		1/1