

# HTM/ATEX-40-4T/2G EX DB

Code: 1005894



## Tubular mobile fans, with ATEX 2G or 2D certification and Ex db, Ex eb or Ex tb motor

ATEX 2G or 2D certified tubular mobile axial fans with flameproof Ex db, increased safety Ex eb or dust ignition proof Ex tb motor to work in explosive gas or dust atmospheres.



### Fan:

- Tubular casing made of sheet steel with aluminium strip in rotor zone, in accordance with standard EN 14986.
- Cast aluminium impellers.
- With inspection hatch.
- Protection grid against contacts according to the UNE-EN ISO 12499 standard, on both sides.
- Airflow direction from motor to impeller.
- Standard marking with flameproof motor (Ex db): II 2G Ex h IIB T4 Gb.
- Standard marking with increased safety motor (Ex eb): II 2G Ex h IIB T3 Gb.
- Standard marking with motor for dust ignition proof (Ex tb): II 2D Ex h IIIC T135 °C Db.

### Motor:

- Class F motors with ball bearings and ATEX certification flameproof Ex db, increased safety Ex eb or dust ignition proof Ex tb.
- Three-phase 230/400 V 50 Hz (up to 4 kW) and 400/690 V 50 Hz (powers greater than 4 kW).
- Working temperature: -20 °C +40 °C.

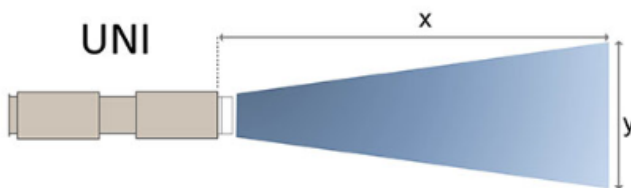
### Finish:

- Anti-corrosive with ATEX paint, free of iron components, in polyester resin polymerized at 190 °C, after degreasing with phosphate-free nanotechnological treatment.

### On request:

- Motors with built-in PTC.
- Special windings for different voltages and frequencies.
- ATEX construction for flammable dust.
- ATEX fan with greater protection than the standard marking.
- Fans with 2 speed motor.
- Ex db flameproof single-phase motors.

## CHARACTERISTIC DART AND ACOUSTICS AT 20°C 0MASL 1.2KG/M<sup>3</sup>



### Design Point (at Rpm max.)

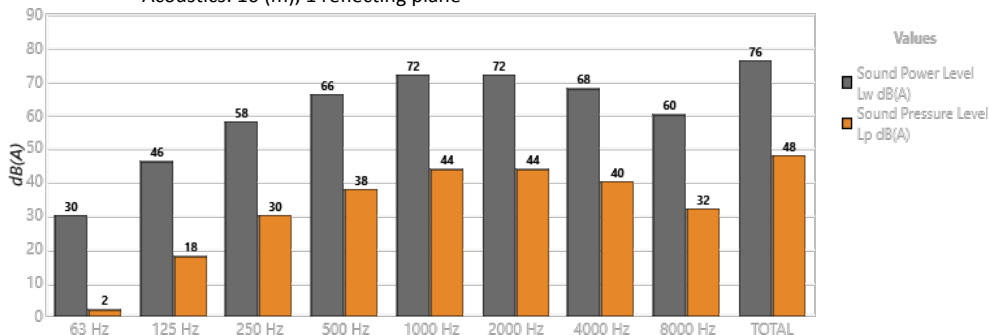
Jet length x (m)	18.08
Jet width y (m)	7.686

### Service Point (SP)

Impeller (rpm)	1400
Flowrate (Nm <sup>3</sup> /h)	4736
Thrust (N)	18
Outlet air speed (m/s)	11.3
Air speed (m/s)	1



Acoustics: 10 (m), 1 reflecting plane



Band	Lw dB(A)	Lp dB(A)
63 Hz	30	2
125 Hz	46	18
250 Hz	58	30
500 Hz	66	38
1000 Hz	72	44
2000 Hz	72	44
4000 Hz	68	40
8000 Hz	60	32
TOTAL	76	48

TECHNICAL CHARACTERISTICS

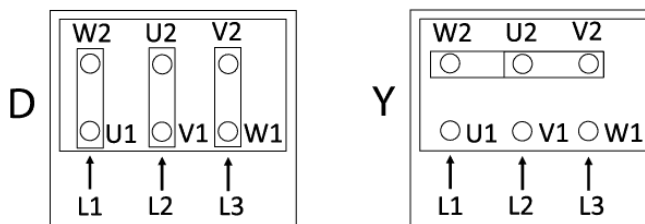
Airflow maximum (Nm <sup>3</sup> /h)	4736
Speed (rpm)	1400

ERP

Remarks	ErP: Exclude. ATEX
---------	--------------------

MOTOR DATA

Rated Mechanical Power (kW)	0.25
Hz/phases	50/3
Motor (rpm)	1400
Poles	4P
Max. current (A) 380-415 V Y	0.69
Max. current (A) 220-240 V D	1.2
Motor protection	IP65
Motor frame size	71A



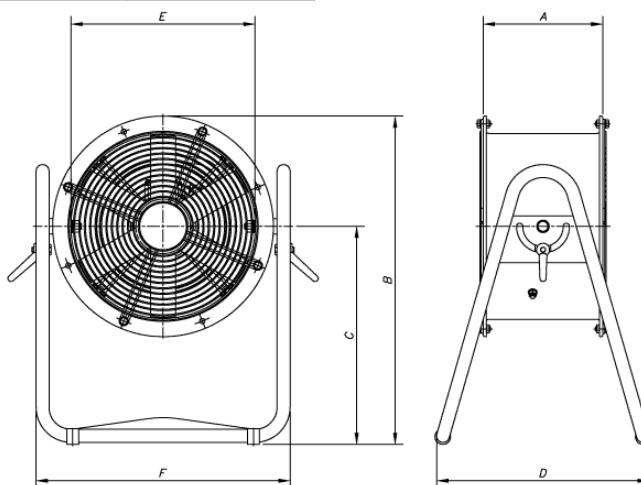
Data can change, please check motor plate

DIMENSIONS

A	B	C	D	E	F
400	725	481	450	410	596

Dimensions without explicitly defined units are shown in millimeters (mm). Dimensions depending on the motor are approximate

Approx. weight (kg)	19
---------------------	----





## AVAILABLE ACCESSORIES

### General accessories available



VSD3/A-RFT-  
1



VSD1/A-RFM-  
0.5



VSD3/A-RFT-  
1-IP66



VSD1/A-RFM-  
0.5-IP66



BTUB



INT/ATEX  
16/3CA

### Inlet accessories available

**Inlet accessories not available**

### Outlet accessories available

**Outlet accessories not available**

**It must be checked that the accessory is suitable for the fan model**