

## Expansion card for connecting sliding or roller shutter doors.

The expansion card is designed to connect sliding or roller shutter doors that have a specific connection to the controller. The card has a RJ-45 connector for communication with the controller and terminals for connecting door cables. Figure 1 shows the appearance of the expansion card.

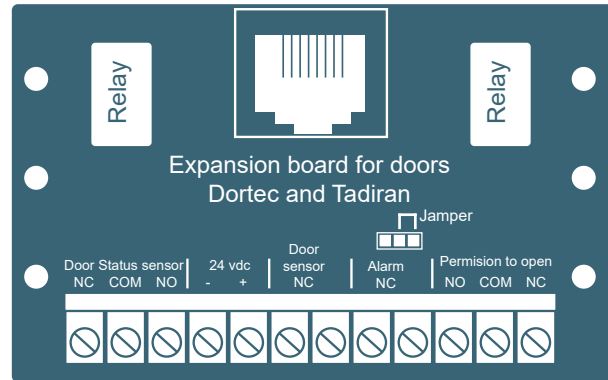
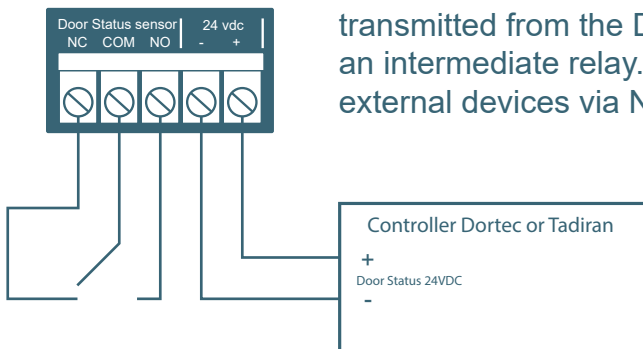


Fig1. External view of the expansion card

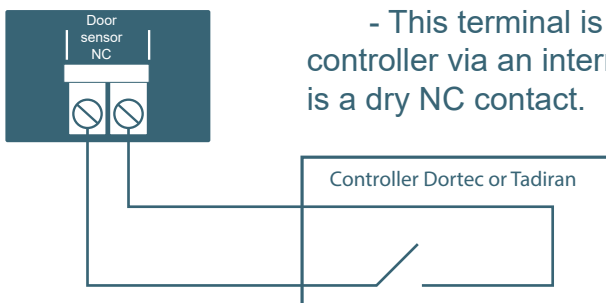
### 1. Description of connection terminals.

The terminals are designed to connect various inputs and outputs for door control.

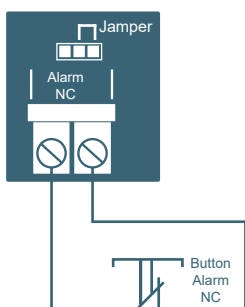
- The door status connection terminal is used when the door status is transmitted from the Dortec or Tadiran door controller via 24VDC, without using an intermediate relay. In addition, it is possible to connect door status outputs to external devices via NO COM and NC contacts.

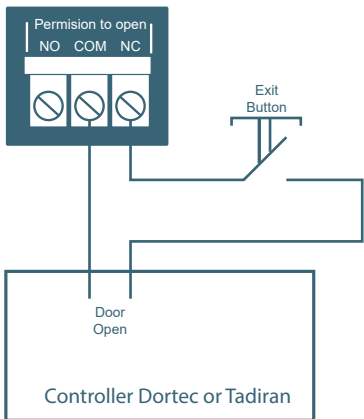


- This terminal is used when the door status is transmitted from the door controller via an intermediate relay or directly from the door status sensor. This is a dry NC contact.



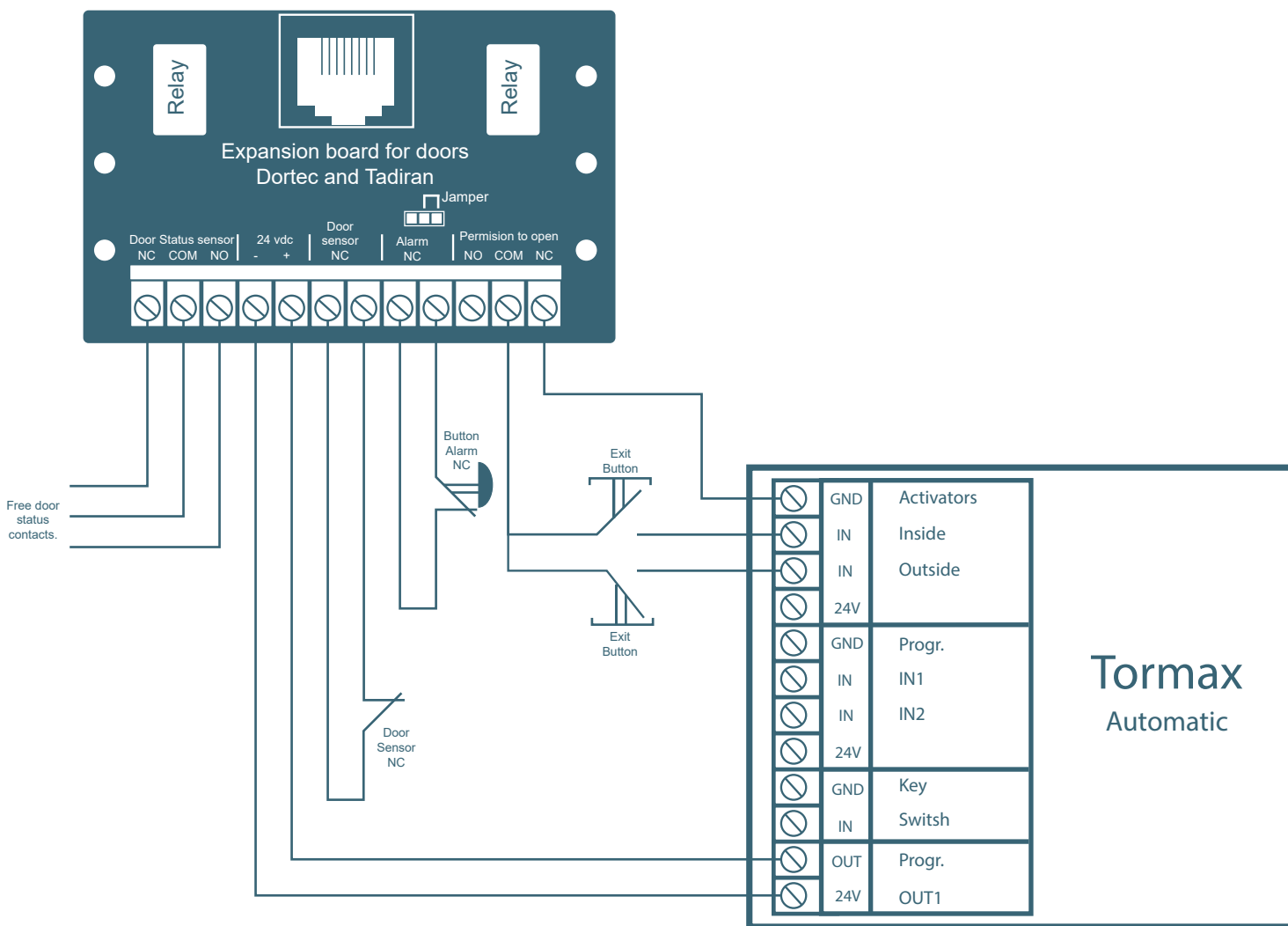
- Alarm terminal is used to connect the emergency power off button of the DCM door controller. The emergency button must use an NC contact. When you press the button, the electrical circuit is broken, thereby canceling all restrictions on opening the door. If an external button is not used, then the Jamper must be installed as marked on the expansion card board.





- The "Permission to Open" terminal directly controls the ability to open the door. It is connected to the gap of the door open button to the NC contact of the terminal. Thus, if the second door is open, the electrical circuit of the door open button will be open, the button will not work and the door will not open. In some cases a NO contact may be needed. For example, in systems with an exit button that opens the circuit.

## 2. General diagram for connecting an expansion card.



Eduard  
Klyucherev

Tel: +972-50-495-0-495  
info@dcmaking.co.il

**IDCM**

DOORS CONTROLLED MAKING

Israel, Haifa  
Tel. +972-50-495-0-495  
info@dcmaking.co.il  
www.dcmaking.co.il