

HPL Lockers Catalogue



Horizon Line Building Materials FZ LLC.

+971 50 1253532

fateh.a@hk.ae
horizonline370@gmail.com

Ras Al Khaimah - UAE





The overall impression of the 2001 series lockers is minimalist white. The space follows a regular and orderly outline, pursuing simplicity and purity, simple and clean on the senses, and more elegant in taste and thought.

Accessories:

- L1 RFID lock
- Green acrylic number plate

Color:

JLF-30949-3(Glossy)

Base:

White powder coated steel





This series of minimalist classic black and simple wood-colored base lockers is intriguing. Random supplies are mixed with natural wood texture, making the quiet atmosphere add elegance.

Accessories:

L5 Code & fingerprint lock
Single line (engraving) number

Color:

JLF-30909-M

Base:

JLF-6745-M compact laminate



This design mainly uses wood grain compact laminate board. This warm material makes the originally monotonous space feel affectionate, simple and not fancy. The design "wood" is a construction element, which means the life is flourishing.

Accessories:

Handle
Coat hanger

Color:

JLF-39005-M

Base:

Same color compact laminate





This locker is made of compact laminate board to revert the retro wood grain texture. It's based on the eye-catching ancient texture without much artificial modification and restraint.

Accessories:

Key lock with handle

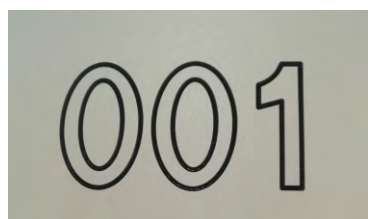
Single line (engraving) number

Color:

Antique white & 3813

Base:

Grey compact laminate





This locker surface is spray-printed and the pattern drawn is fused with the ink and fish paintings printed on the white wall. The glossy design avoids the sense of depression brought by the lack of space, making the space bright, transparent, and real, and provides a peaceful place for visitors.

Accessories:

Combination lock

Base:

JLF-A212015-R compact laminate

Color:

3D digital print picture as customers' request



The entire design adheres to a certain scale, but it is too generous. It makes an open space design in the functional layout. A cycle and a dynamic line can maximize the use of space.

Accessories:

- Hasp lock
- Engraving number

Color:

JLF-3209, JLF-0804 & JLF-1485

Structure:

- Aluminum profile

Base:

- Aluminum supporting leg



180° opening hinge





The locker adopts a separate slant top design, and its surface is etched with cross-overlapped circular outlines. The unique soft posture adds a rare viewing effect to the space. The same pattern is used on the interior wall which matches harmoniously.

Accessories:

L7 Digital lock

Color:

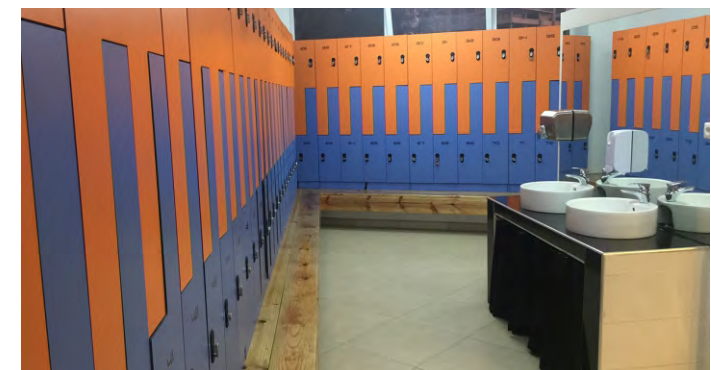
JLF-0903 with engraving patterns

Base:

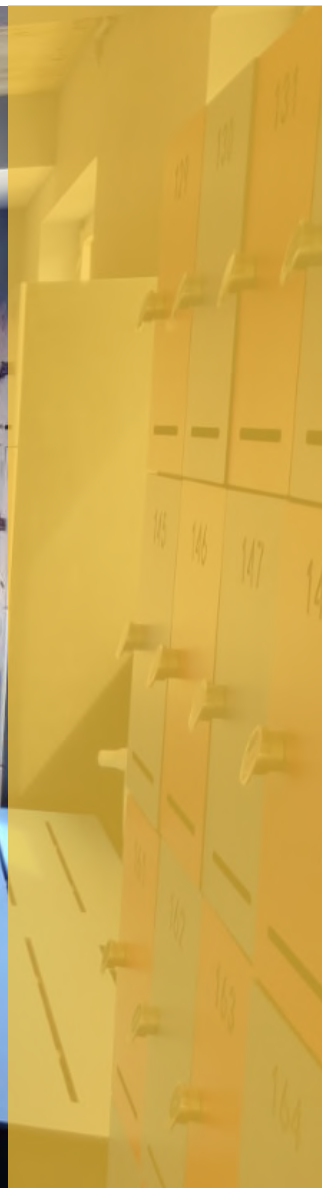
JLF-0903 compact laminate

LOCKERS



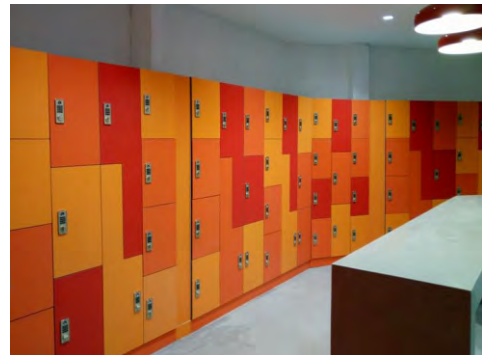






 LOCKERS

LOCKERS





LOCKERS





	1-1	1-2	1-3	1-4
1 Tier				
Description	Single tier lockers provide enough room for athletic facilities and perfect for the requirement on water and fire resistance.			

	2-1	2-2	2-3	2-4
2 Tier				
Description	Double tier lockers with the hanging bar suitable for applying in dormitory and household.			

	3-1	3-2	3-3	3-4
3 Tier				
Description	Triple tier lockers made to offer the staff a private space. Widely used in office building.			

	4-1	4-2	4-3	4-4
4 Tier				
Description	Four tier lockers are just wonderfully suitable for gymnasium and fitness center.			

	5-1	5-2	5-3	5-4
5 Tier				
Description	Five tier lockers with so many doors are best for supermarkets, shopping mall where there with great traffic.			

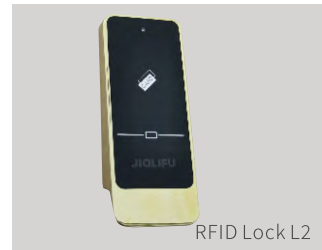
	Z-1	Z-2	Z-3	Z-4
Z Tier				
Description	Z style lockers with the special interior design enable to place items with different length.			



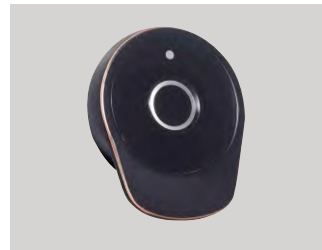
▶ Lock Options



RFID Lock L1



RFID Lock L2



Fingerprint Lock L3



Fingerprint Lock L4



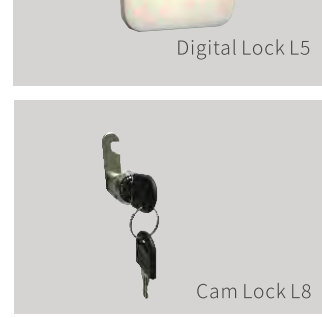
Digital Lock L5



Digital Lock L6



Digital Lock L7



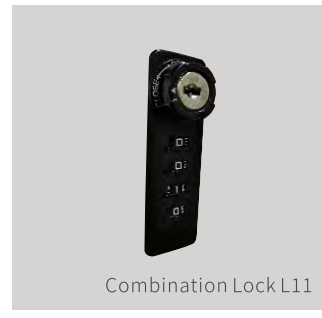
Cam Lock L8



Coin Return Lock L9



Hasp Lock L10



Combination Lock L11

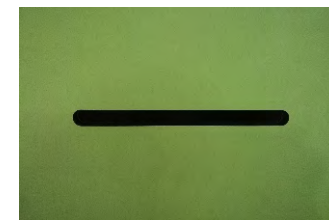
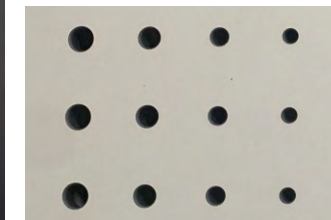
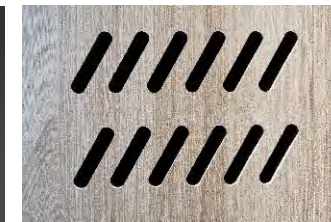
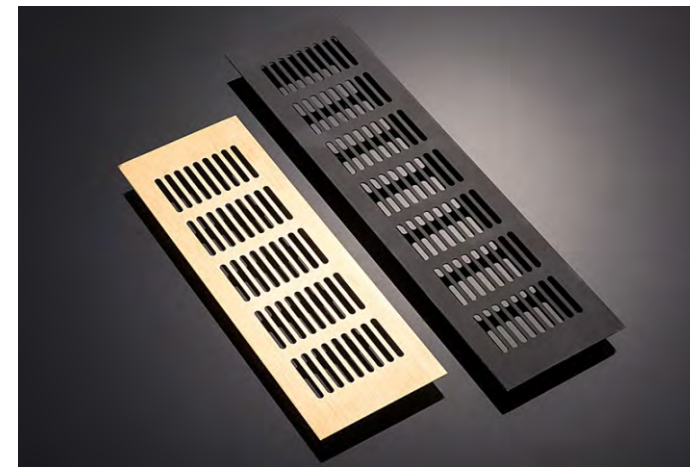


S.S Handle

▶ RFID Lock Corresponding Wristband



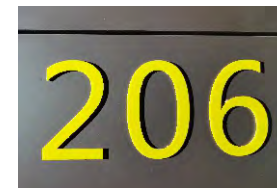
▶ Ventilation



▶ Number Plates



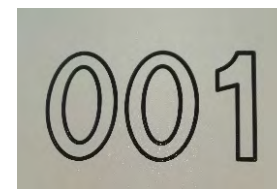
Engraving



Acrylic



ABS

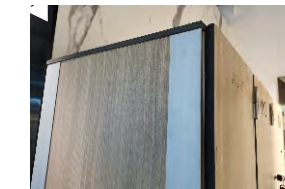


Single line engraving

▶ Roof

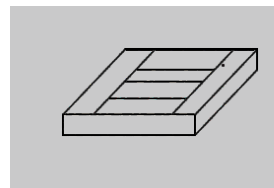


Slant

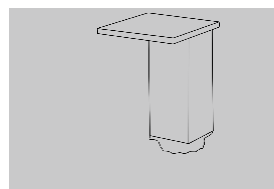


Flat

▶ Leg



Compact Laminate Plinth



Adjustable Leg

▶ Clothes Hooks/Rod



Clothes Hook



Clothes Rod

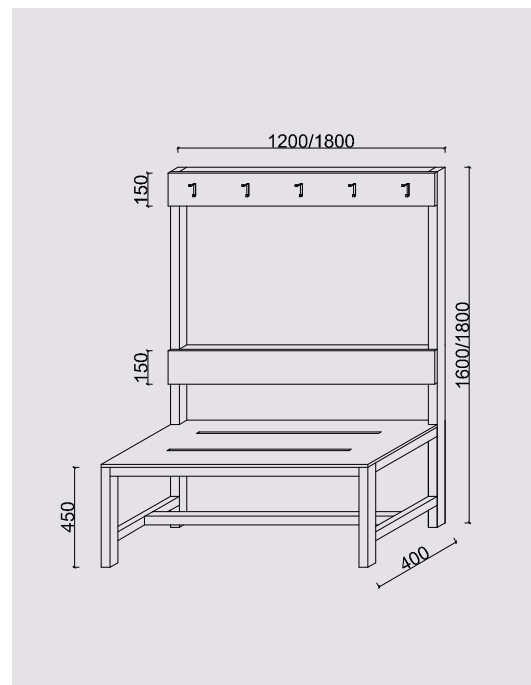
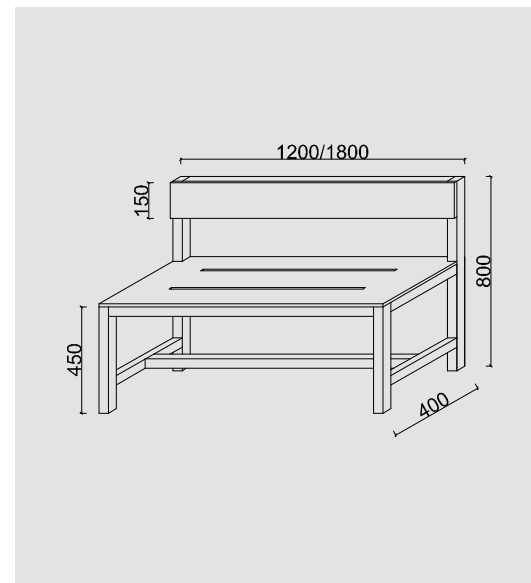
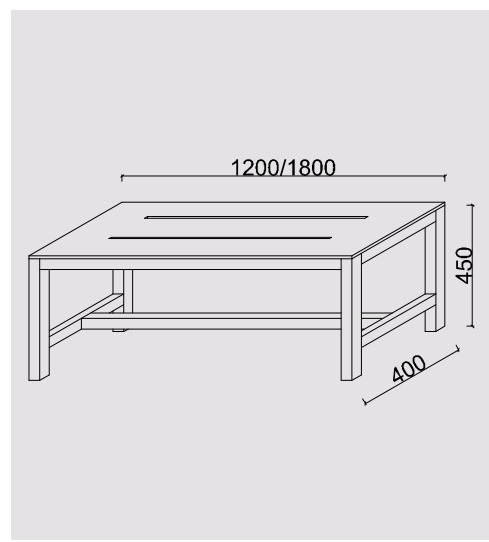


LED Hanger Rod



BENCH SPECIFICATION

- Designed for strength, flexibility and safety.
- Double corrosion protected, powder coated frame.
- Hardwearing compact laminate for bench top.
- Designed for high level use
- Suitable for wet and dry environments



JIALIFU benches are available in several styles.

They are ideal for any of the washroom, locker room or cubicle systems in both wet and dry environments.

Wall bench seating only available in 12mm Compact Laminate.

Overall height: 450mm high overall. Can be adjusted for uneven floors.

Width: 1200mm&1800mm(recommend), Available in any size.

Depth: 400mm deep overall.

Bench seat frame: powder coating steel or 304 stainless steel.