

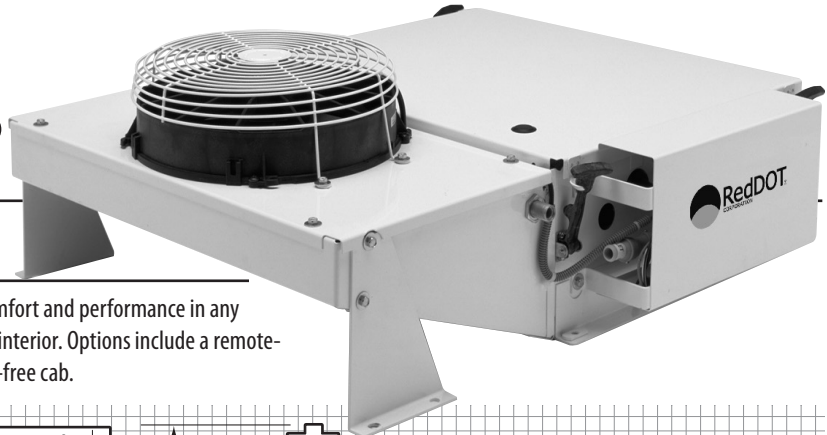
OFF-ROAD

Ship LTL Only

R-9757 Rooftop

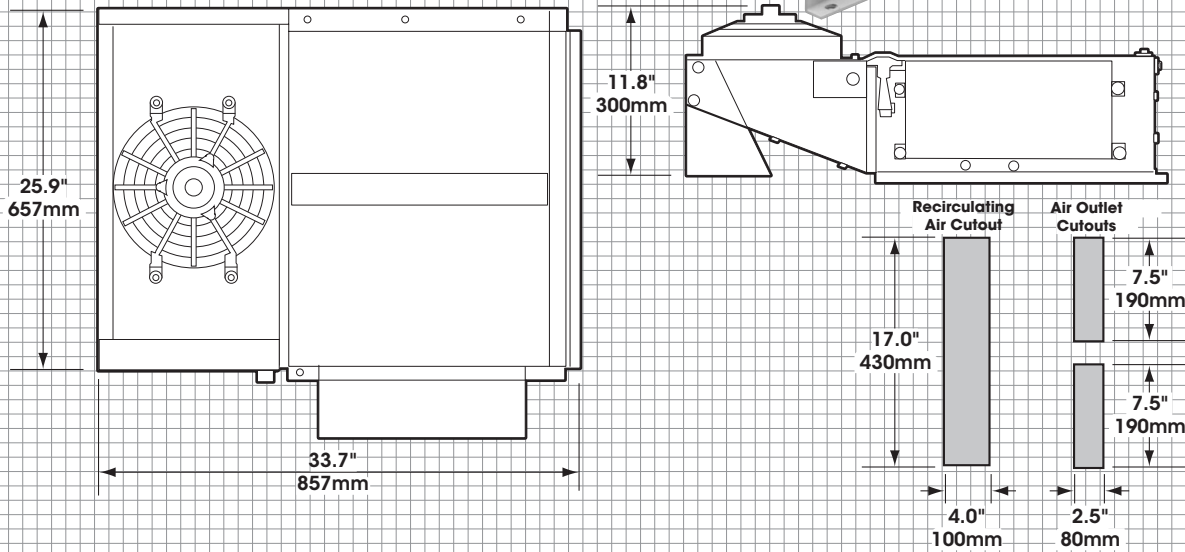
Heater/Air Conditioner

CONSTRUCTION • MINING • AGRICULTURE



With heating and cooling, the R-9757 rooftop unit delivers comfort and performance in any environment. The low-profile ceiling plenum blends with any interior. Options include a remote-mount filter and in-line booster blower for a pressurized, dust-free cab.

HEATER-A/C



R-9757 SPECIFICATIONS

BTUs Heating – 45,000 BTU/Hr @ 100°F (13.2 kw @ 37.8°C) air temperature rise
Cooling – 25,000 BTU/Hr with 36°F (7.3 kw with 2.2°C) refrigerant temperature and 80°F (26.7°C) wet bulb entering air

AIR FLOW 400 CFM (680 m³/h)

WEIGHT 135 lbs. (61kg)

MOTORS Evaporator – One 12 VDC, three speed (24 VDC available) Condenser – One 12 VDC low profile (24 VDC available)

CURRENT 38.2 amps @ 13.6 VDC (includes 4 amps for A/C clutch)

DRAW 19.1 amps @ 27.2 VDC (includes 2 amps for A/C clutch)

R-9757 SYSTEM ORDERING GUIDE

	R-134a	NOTES
UNITS	R-9757-0P R-9757-0-24P	12 VDC - Heater A/C 24 VDC - Heater A/C
CONDENSER	Contained in the R-9757	
INSTALLATION KIT	78R1805	Refrigerant hose, fittings and hardware.
OPTIONS	Replacement Filter Paper Replacement Filter Remote Mount Filters ** Replacement Filters Replacement Gasket Kit Replacement Recirc. Filter In-Line Booster Pressurizers * Replacement Receiver Drier	RD-3-6406-1P (Fresh Air Filter Box) RD-3-6407-0P (Fresh Air Filter Box) 78R5100 (Horizontal) 78R5110 (Vertical) 78R5210 (Remote Mount) RD-3-9706-0P (Gasket Kit) 78R5370 73R9202 (12 VDC) For use with Remote Mount Filters 73R9204 (24 VDC) 74R2546
COMPRESSOR	Requires compressor and mounting kit	See Compressor Section

* Booster Pressurizer can only be used with Remote Mount Filters

** Must be used with In-line Booster Pressurizer