

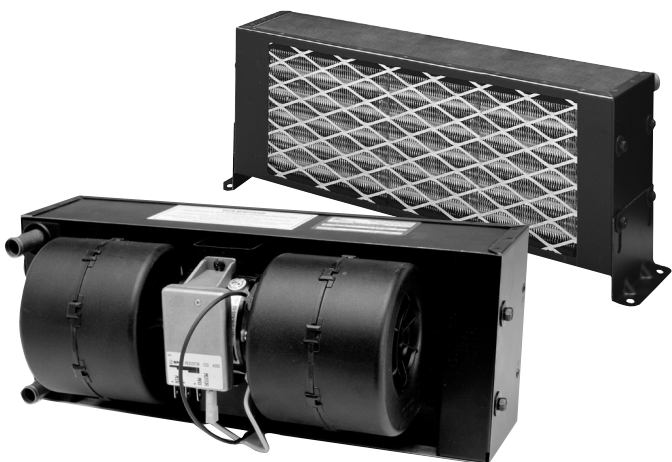
# R-295

## Auxiliary Heater (Double Blower)

With a three-speed blower motor, the R-295 produces 430 CFM—a powerful, compact, and robust heater. A defrost hose adapter is available for ducting air.

### R-295 SPECIFICATIONS

<b>BTUS</b>	35,000 BTU/Hr @ 180°F (kw 10.25 @ 82°C) air temp. rise	
<b>AIR FLOW</b>	430 CFM (730 m <sup>3</sup> /h)	
<b>WEIGHT</b>	11 lbs. (5 kg)	
<b>CURRENT DRAW</b>	16 amps @ 13.6 VDC (high speed) 7 amps @ 27.2 VDC (high speed)	
<b>UNITS</b>	R-295-0P	(12 VDC), 5/8 fitting rear exit
	R-295-0-24P	(24 VDC), 5/8 fitting rear exit
	R-295-4P	(12 VDC), 5/8 fitting floor exit



### OPTIONS:

#### **Defrost Hose Outlet Adapter**

3 1/2" RD-1-0639-0P  
(uses two)

#### **Switch**

71R1150

#### **Knob**

71R4050

#### **Control Panel**

71R5821 Heater control — Three-speed motor switch with manual water valve control

