

JOLE I-PIVOT 360 INSTRUCTION MANUAL



Available languages























-  English, Page 4
-  Français, Page 16
-  Deutsch, Seite 23
-  Dutch, Pagina 30
-  Italiano, Pagina 37
-  Español, Página 44
-  Português, Página 51
-  Polski, Strona 58
-  Čeština, Strana 65
-  Slovenčina, Strana 72
-  Slovenščina, stran 79
-  Русский, Страница 86
-  Dansk, Side 93
-  Magyar, oldal 100
-  Română, Pagina 107
-  ελληνικά, Σελίδα 114
-  Türkçe, Sayfa 121
-  العربية, الصفحة 127
-  Hrvatski, Stranica 135
-  Svenska, Sida 142
-  Norsk, Side 149
-  Suomi, Sivut 156

Table of Contents

[Parts List](#)

[Product Information](#)

[Installation Concerns](#)

[Height Adjustment](#)

[Recline Adjustment](#)

[Base Installation](#)

[Detach Soft Goods](#)

[Care and Maintenance](#)

[En cas d'urgence](#)

[Informations sur le produit](#)

[Réglage de la hauteur](#)

[Problèmes liés à l'installation](#)

[Réglage de l'inclinaison](#)

[Installation de la base](#)

[Entretien Et Maintenance](#)

[Hinweise zur Installation](#)

[Textilteile entfernen](#)

[Pflege und Wartung](#)

[Opletten bij installatie](#)

[Instelling schuine stand](#)

[Zachte voorwerpen losmaken](#)

[Verzorging En Onderhoud](#)

[Elenco parti](#)

[Informazioni sul prodotto](#)

[Regolazione dell'altezza](#)

[Dubbi sull'installazione](#)

[Regolazione della reclinazione](#)

[Installazione della base](#)

[Rimozione del rivestimento imbottito](#)

[Cura e manutenzione](#)

[Lista De Piezas](#)

[Información del producto](#)

[Ajuste de la altura](#)

[Consideraciones acerca de la instalación](#)

[Ajuste de la reclinación](#)

[Instalación de la base](#)

[Cuidados Y Mantenimiento](#)

[Lista De Componentes](#)

[Informações sobre o produto](#)

[Ajuste da altura](#)

[Instalação da base](#)

[Remover a cadeira](#)

[Cuidado e manutenção](#)

[Wykaz części](#)

[Sytuacja zagrożenia](#)
[Informacje o produkcie](#)
[Regulacja wysokości](#)
[Wskazówki dotyczące instalacji](#)
[Instalacja podstawy](#)
[Odłączanie miękkich elementów](#)
[Pielęgnacja i konserwacja](#)
[Seznam dílů](#)
[Informace o produktu](#)
[Upozornění k instalaci](#)
[Péče a údržba](#)
[Starostlivosť A Údržba](#)
[Informacije o izdelku](#)
[Nega in vzdrževanje](#)
[Информация об изделии](#)
[Регулировка высоты](#)
[Установка основания](#)
[Уход за изделием](#)
[Indstilling af ryglænet](#)
[Pleje og vedligeholdelse](#)
[Alkatrészek listája](#)
[Gondozás és karbantartás](#)
[Πληροφορίες προϊόντος](#)
[Φροντίδα και συντήρηση](#)
[Parça Listesi](#)
[Acil durum](#)
[Ürün Bilgisi](#)
[Çocuğu Sabitleme](#)
[Bakım ve Koruma](#)
[Popis díjelova](#)
[Podaci o proizvodu](#)
[Briga i održavanje](#)
[Lista över delar](#)
[Spänna fast barnet](#)
[Skötsel och underhåll](#)
[Bakovervendt bruk](#)
[Sikre barnet](#)
[Stell og vedlikehold](#)
[Kallistuksen säätö](#)
[Alustan asennus](#)
[Hoito ja kunnossapito](#)
[Other Manuals](#)[Lib Projects](#)

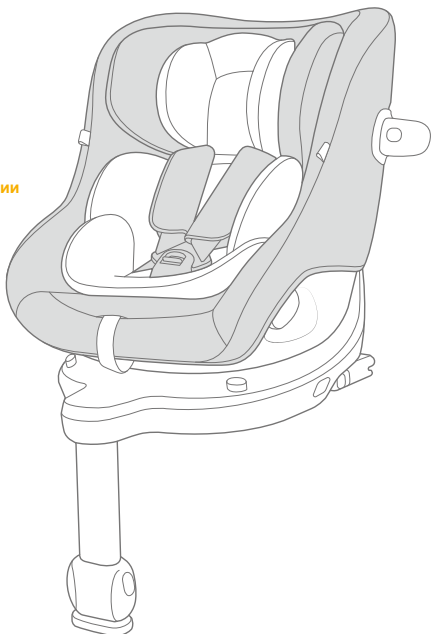
Joie™

Child height 40cm-105cm/
Child weight ≤ 21kg;

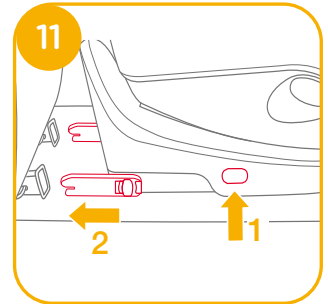
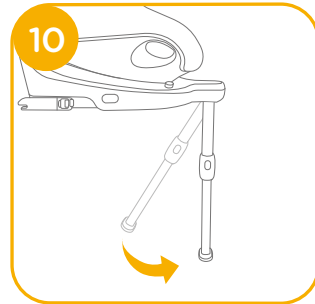
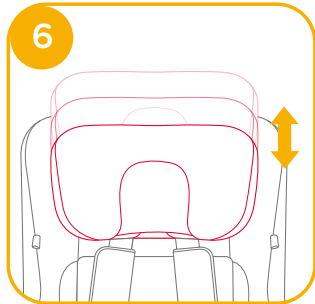
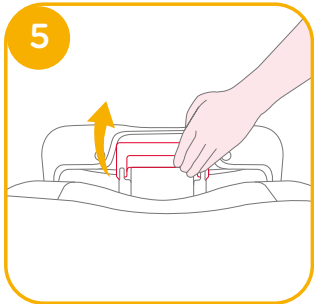
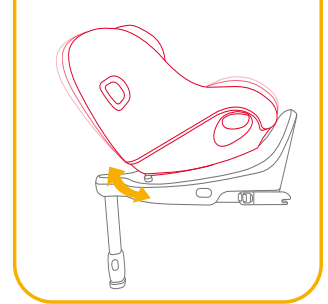
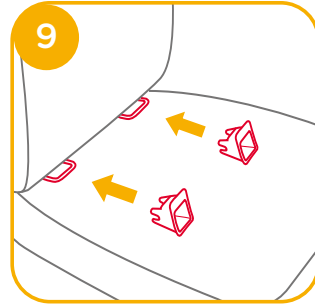
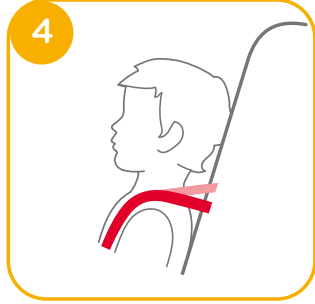
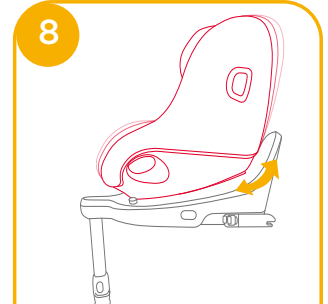
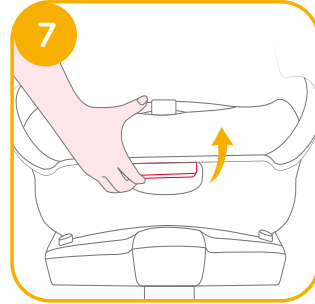
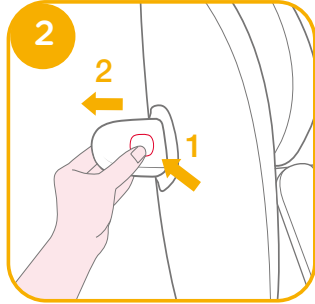
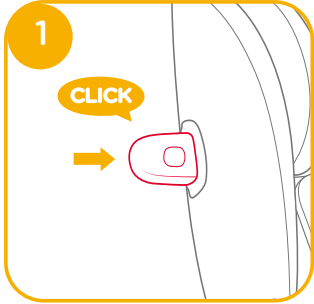
i-Pivot 360™

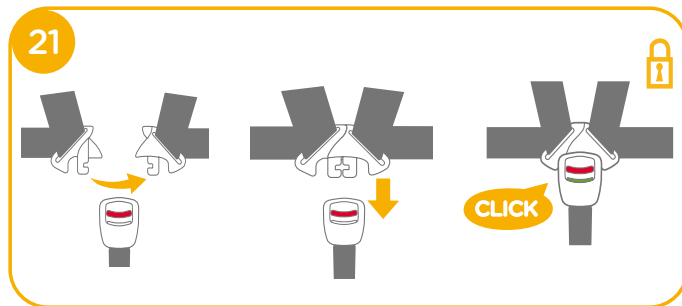
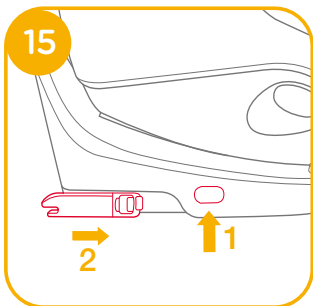
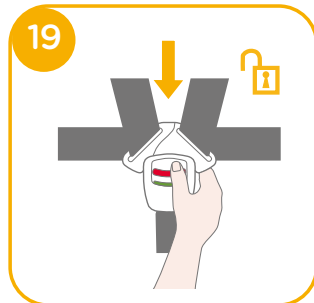
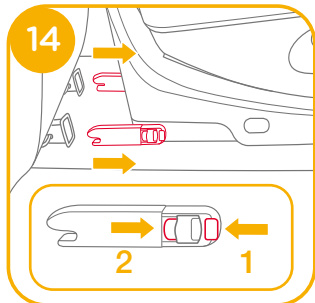
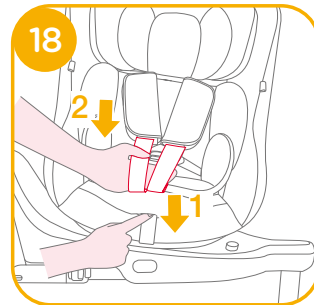
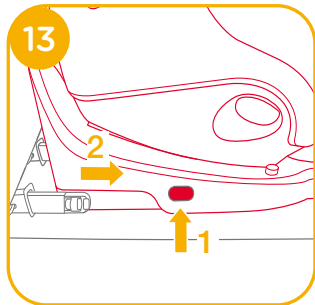
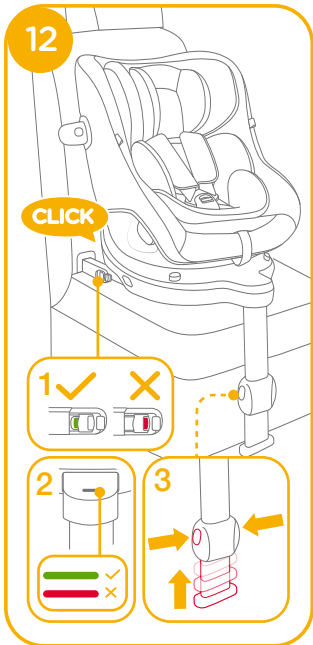
enhanced child restraint

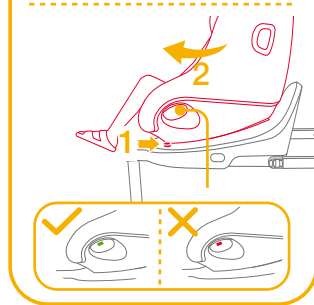
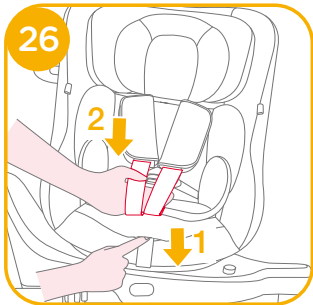
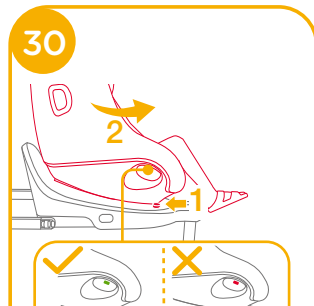
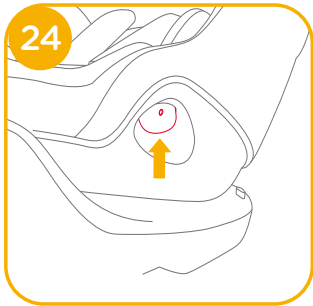
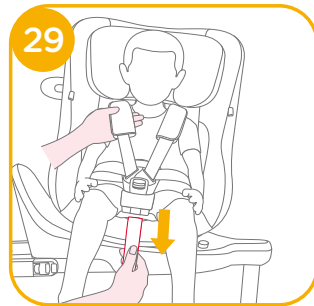
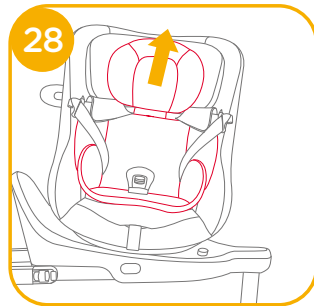
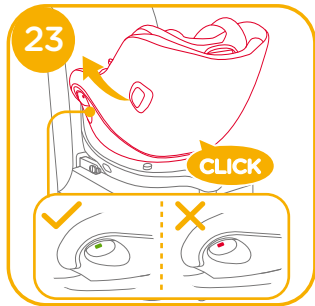
- GB Instruction Manual
- FR Manuel d'instructions
- NL Instructiehandleiding
- DE Bedienungsanleitung
- IT Manuale di istruzioni
- ES Manual de instrucciones
- PT Manual de instruções
- PL Instrukcja obsługi
- CZ Návod k obsluze
- SK Návod na použitie
- SL Navodila za uporabo
- RU Руководство по эксплуатации
- DK Brugervejledning
- HU Használati utasítás
- RO Manual de instrucțiuni
- EL Εγχειρίδιο οδηγιών χρήσης
- TR Kullanım Kılavuzu
- AR دليل التعليمات
- HR Upute za uporabu
- SV Bruksanvisning
- NO Instruksjonsbok
- FI Käyttöopas

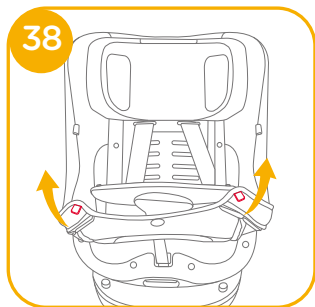
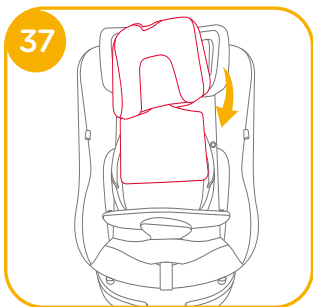
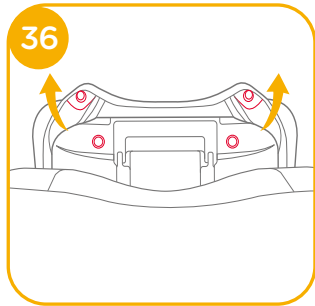
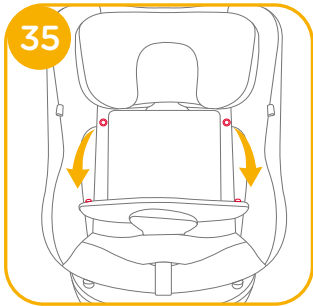
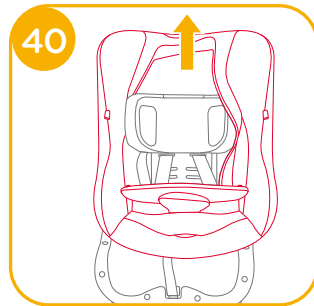
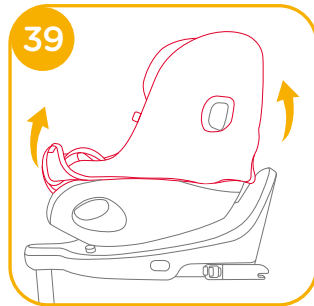
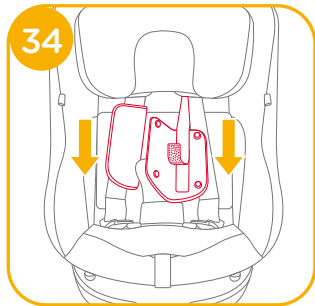
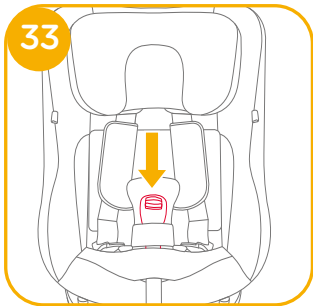


ECE R129/03: i-Size









GB Welcome to Joie™

You have purchased a high quality, fully certified child safety child restraint. This product is suitable for the use of children with height and weight up to 105cm and 21kg.

Carefully read this Instruction Manual and follow the installing steps because this is the **ONLY** way to protect your child from serious injury or death in case of an accident, and to provide comfort to your child while using this product.

Keep this instruction manual for future reference.

Please confirm

To use this Joie enhanced child restraint with the i-Size ISOFIX connections according to the UN Regulation No.129/03, your child must meet the following requirements.

Rear Facing: Child height 40cm-105cm/ Child weight ≤ 21kg;

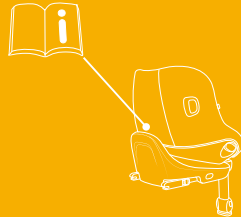
Forward Facing: Child age ≥ 15m/ Child height 76cm-105cm/ Child weight ≤ 21kg;

Please read all the instructions in this manual before installing and using the product.

**! IMPORTANT: KEEP FOR FUTURE REFERENCE.
PLEASE READ CAREFULLY.**

Please keep the instruction manual in the storage compartment at the back of the seat as right figure.

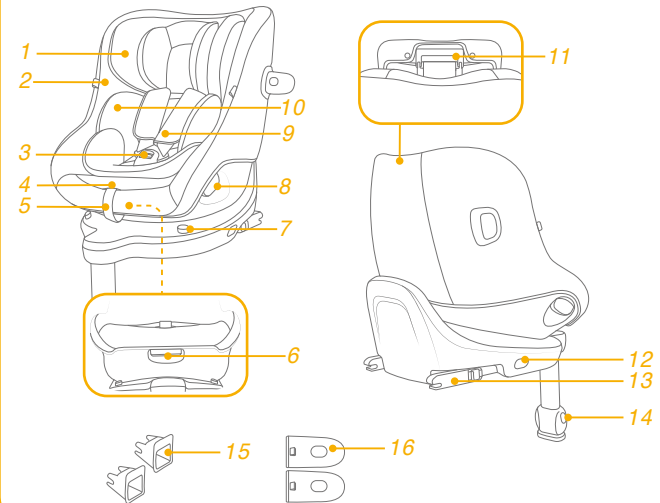
For warranty information, please visit our website at joiebaby.com



Parts List

Please make sure there are no missing parts. Please contact the retailer if anything is missing.

- | | |
|-----------------------------|--|
| 1 Head Support | 10 Insert |
| 2 Seat Pad | 11 Head Support Adjustment Lever |
| 3 Buckle | 12 ISOFIX Adjuster Button |
| 4 Harness Adjustment Button | 13 ISOFIX Connector |
| 5 Adjustment Webbing | 14 Load Leg Adjustment Button |
| 6 Recline Adjustment Button | 15 ISOFIX Attachments Guides |
| 7 Swivel Lock-off | 16 Side Impact Protection |
| 8 Rotation Button | <small>*must use on door side only</small> |
| 9 Shoulder Harness Covers | |



WARNING

- ! BE informed that the rigid items and plastic parts of an enhanced child restraint system shall be located and installed so that they are not liable to become trapped by a movable seat or in a door of the vehicle during everyday use of the vehicle.
- ! DO NOT use the rearward facing enhanced child restraint systems in seating positions where there is an active frontal airbag installed.
- ! To use this enhanced child restraint according to the UN Regulation No.129/03, your child must meet the following requirements.
- ! Rear Facing Mode: Child height 40cm-105cm/ max. 21kg;
Forward Facing Mode: Child height 76cm-105cm/ max. 21kg;
- ! IMPORTANT - DO NOT USE FORWARD FACING BEFORE THE CHILD'S AGE EXCEEDS 15 MONTHS (Refer to instructions).
- ! The enhanced child restraint may not fit in all approved vehicles due to storage compartments or limited space to the vehicle roof. In doubt, please contact your retailer or reach out to us.
- ! Any support-leg should be in contact with the vehicle floor, any straps restraining the child should be adjusted to the child's body, and straps should not be twisted.

WARNING

- ! After your child is placed in this enhanced child restraint, the safety belt must be used correctly. Ensure that any lap strap is worn low down, so that the pelvis is firmly engaged, shall be stressed.
- ! This enhanced child restraint should be replaced when it has been subject to violent stresses in an accident. An accident can cause damage to it that you cannot see.
- ! Consider the danger of making any alterations or additions to the device without approval of the adequate authority, and the danger of not following closely to the installation instructions provided by the enhanced child restraint manufacturer.
- ! Please keep this enhanced child restraint away from sunlight, otherwise it may be too hot for child's skin. Always touch the enhanced child restraint before placing child in it.
- ! DO NOT leave your child unattended in the enhanced child restraint system.
- ! Any luggage or other objects liable to cause injuries in the event of a collision shall be properly secured.
- ! The enhanced child restraint system shall NOT BE USED without the soft goods.
- ! The soft goods should not be replaced with any other than the one recommended by the manufacturer, because the soft goods constitutes an integral part of the restraint performance.

WARNING

- ! Please check if this enhanced child restraint can be installed properly in your vehicle before you purchase it.
- ! NO enhanced child restraint can guarantee full protection from injury in an accident. However, proper use of this enhanced child restraint will reduce the risk of serious injury or death to your child.
- ! DO NOT install this enhanced child restraint without following the instructions in this manual or you may put your child at serious risk of injury or death.
- ! DO NOT use this enhanced child restraint if it has damaged or missing parts.
- ! DO NOT have your child in large/oversized clothes because this may prevent your child from being, properly and securely fastened by the shoulder harness straps and the crotch strap between the legs.

Emergency

In case of emergency or accidents, it is most important to have your child taken care of with first aid and medical treatment immediately.



Product Information

1. This is an i-Size Enhanced Child Restraint System. It is approved according to UN Regulation No.129, for use in, i-Size compatible vehicle seating positions as indicated by vehicle manufacturers in the vehicle users' manual.
2. If in doubt, consult either the Enhanced Child Restraint System manufacturer or the retailer.

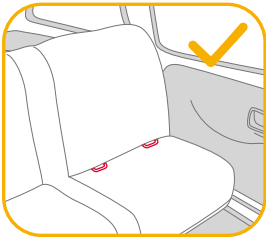
Materials Plastics, metal, fabrics

Patent No. Patents pending

Choose Your Installation

	Child's Size	Installation Mode	Figure for Installation	Reference Age	Seat Position
ECE R129	40cm-105cm/ ≤ 21kg	Rear Facing		Approx 4 years	Position 1-5
	76cm-105cm/ ≤ 21kg	Forward Facing		15 months to approx 4 years	Position 1-5

Installation Concerns



Use Side Impact Protection

see images 1 - 2

1. The enhanced child restraint is delivered with removable side impact protection pod. Insert the side impact pod on the side closest to the door. Installation shown in 1.
2. Press the release button to remove side impact protection. 2

Height Adjustment for Head Support and Shoulder Harnesses

see images 3 - 6

Please adjust the head support and check if the shoulder harnesses are at the correct height according to 3&4&5&6

! When used in rear facing mode, the shoulder harness height must be even with or just below the top of child's shoulders. 3

! When used in forward facing mode, the shoulder harness height must be even with or just above the top of child's shoulders. 4

Press the head support adjustment lever 5 and pull up or push down the head support until it clicks into one of the 6 positions, shown as 6.

Recline Adjustment

see images 7 - 8

Press the recline adjustment button to adjust the enhanced child restraint to the desired position. 7&8.

There are 5 recline positions that can be used for both rear facing mode and forward facing mode. 8

Base Installation

see images 9 - 15

1. Insert ISOFIX guides to assist with installation. 9
 2. Press the ISOFIX adjuster button to extend the ISOFIX. 11 -1&11 -2
 3. Make sure that both ISOFIX connectors are securely attached to their ISOFIX anchor points. The colors of the indicators on both ISOFIX connectors should be completely green. 12 -1
- ! Press the ISOFIX adjustment buttons again while pushing the seat back until it comes in contact with the vehicle seat backrest.
4. After attaching the ISOFIX, pull the load leg downward to floor. When the load leg indicator shows green, the load leg is installed correctly. 12 -2
 5. Squeeze the load leg releasing button, then adjust the load leg length. 12 -3
- ! Always make sure the support leg has direct contact with the floor and is in locked position even when the child is not in it.

Removing the seat

1. To remove from the vehicle press the ISOFIX adjuster button and pull the base back from the seat. Then press and release the connectors from the vehicle's ISOFIX. 14
2. To prevent damage during transit, press the ISOFIX adjuster button 15 -1 and fold the connector completely. 15 -2

Using in the rear facing mode (Child height 40cm-105cm/Child weight ≤ 21kg/infant - 4 years old)

see images 16 - 23

! Install the enhanced child restraint on the rear vehicle seat, and then place the child in the enhanced child restraint.

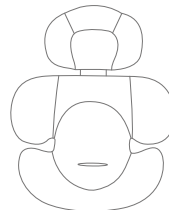
Press the rotating button to rotate for easier side loading/unloading of the child, then rotate the seat to the rear facing position. 16&17

! Press the rotating button on either side to rotate the enhanced child restraint.

Securing Child

1. To lengthen the shoulder harness belts, press the harness adjustment button while pulling out the shoulder harnesses to loosen. 18
2. Unbuckle the harness by pressing the red button. 19
3. Fix the buckles on the both sides of the seat shown as 20 which located on the both sides of seat to make placing the child in rear facing mode more convenient.

Use Infant Insert



We recommend using the full infant insert while the baby is under 60cm and can be used until they outgrow the infant insert. The infant insert increases side impact protection.

4. Place the child into the enhanced child restraint and pass both arms through the harnesses.
 5. Engage the buckle. Please refer to [21](#)
 6. Pull down the adjustment webbing and adjust it to the proper length to make sure your child is properly secured. [22](#)
- ! Always keep child secured in harness and properly tightened by removing any slack.
 - ! Make sure the space between the child and the shoulder harness straps is about the thickness of one hand.
 - ! When the seat is rotated in place and properly engaged, rotation button will show green; otherwise it will show red. [23](#)
 - ! Always make sure the seat is in locked position (rearward facing / forward facing) even when the child is not in it.

Using in the forward facing mode (Child height 76cm-105cm/Child weight ≤ 21kg/15 months - approx. 4 years old)

see images [24](#) - [31](#)

- ! Install the enhanced child restraint on the rear vehicle seat, and then place the child in the enhanced child restraint.
- Press the rotation button to rotate for easier side loading/unloading of the child, then rotate the seat to the forward facing position. [24](#) & [25](#)
- ! Press the rotation button on either side to rotate the enhanced child restraint.

Securing Child

1. To lengthen the shoulder harness belts, press the harness adjustment button while pulling out the shoulder harnesses to loosen. [26](#)
 2. Unlock the buckle of the harnesses by pressing the red button. [27](#)
- ! Remove the infant insert when in forward facing mode. [28](#)

3. Place the buckle tongues against the magnetic area on the outer side of the enhanced child restraint so that the tongues are held in place.
 4. Place the child into the enhanced child restraint and pass both arms through the harnesses.
 5. Engage the buckle.
 6. Pull down the adjustment webbing and adjust it to the proper length to make sure your child is properly secured. [29](#)
 7. Press the swivel lock off button [30-1](#) while you rotate the seat to the forward facing mode. [30-2](#)
- ! When the seat is rotated in place and properly engaged, rotation button will show green, otherwise it will show red. [30](#)
 - ! Always make sure the seat is in locked position (rearward facing / forward facing) even when the child is not in it.
 - ! The ISOFIX connectors must be attached and locked onto the ISOFIX anchor points. [31-1](#)
 - ! The load leg must be installed correctly with green indicator. [31-2](#)
 - ! Always keep child secured in harness and properly tightened by removing any slack.
 - ! DO NOT use forward facing mode until your child's height is at least 76cm AND 15 months old.

Detach Soft Goods

see images [32](#) - [40](#)

- Press the red button to disengage the buckle. [32](#)
- Follow steps [33](#) - [40](#) to detach soft goods.
- To re-attach the soft goods please repeat the above steps in the reverse order.

Care and Maintenance

- ! Please store the pad somewhere out of the child's reach.
- ! Please wash the soft goods with cold water under 30°C.
- ! Do not iron the soft goods.
- ! Do not bleach or dry clean the soft goods.
- ! Do not use undiluted detergents gasoline or other organic solvent to wash the enhanced child restraint or base. It may cause damage to the enhanced child restraint.
- ! Do not twist the soft goods to dry with great force. It may leave the soft goods with wrinkles.
- ! Please hang dry the soft goods in the shade.
- ! Please remove the enhanced child restraint from the vehicle seat if it will not be in use for a long period of time.



FR Bienvenue dans l'univers de Joie™

Vous avez acheté un dispositif de retenue pour enfants de haute qualité, sûr et pleinement certifié. Ce produit est adapté aux enfants dont la taille et le poids ne dépassent pas 105cm et 21kg.

Lisez attentivement ce guide d'utilisation et suivez les étapes d'installation, car il s'agit de l'UNIQUE façon de protéger vos enfants contre des blessures graves, voire la mort en cas d'accident, et de lui prodiguer tout le confort assuré par ce produit.

Conservez ce manuel d'utilisation pour toute référence future.

Veillez confirmer

Pour utiliser ce dispositif de retenue pour enfants amélioré Joie avec les connexions i-Size ISOFIX conformément à la réglementation UN No.129/03, votre enfant doit correspondre aux conditions suivantes.

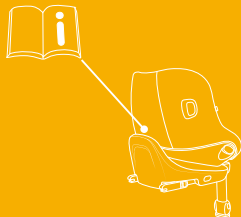
Face à l'arrière : Taille de l'enfant 40cm-105cm / Poids de l'enfant ≤ 21kg ; Face à l'avant : Age de l'enfant ≥ 15m / Taille de l'enfant 76cm-105cm / Poids de l'enfant ≤ 21kg ;

Veillez lire toutes les instructions de ce manuel avant d'installer et d'utiliser le produit.

! IMPORTANT : À CONSERVER POUR TOUTE CONSULTATION ULTÉRIEURE. À LIRE ATTENTIVEMENT.

Veillez conserver le manuel d'instructions dans le compartiment de rangement à l'arrière du siège, comme sur l'illustration à droite.

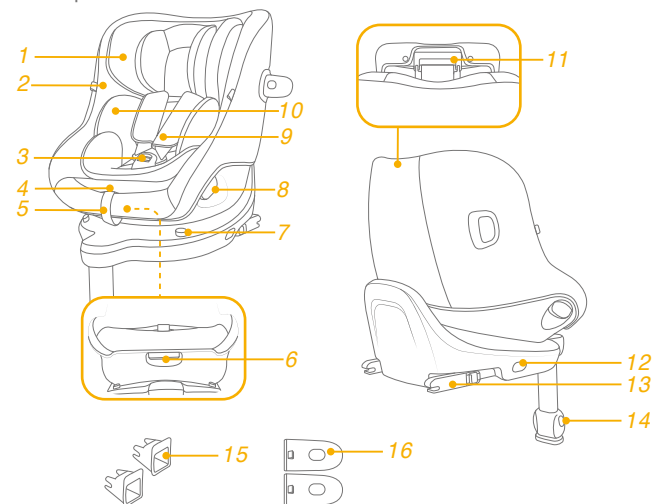
Pour plus d'informations sur la garantie, veuillez consulter notre site Web à l'adresse suivante: joiebaby.com



Liste des pièces

Veillez vous assurer qu'il n'y a pas de pièces manquantes. Contactez le revendeur en cas de pièces manquantes.

- | | |
|--------------------------------------|---|
| 1 Support de tête | 10 Insert |
| 2 Assise de siège | 11 Levier de réglage du support de tête |
| 3 Boucle | 12 Bouton de réglage ISOFIX |
| 4 Bouton de réglage du harnais | 13 Connecteur ISOFIX |
| 5 Sangle de réglage | 14 Bouton de réglage du piètement de charge |
| 6 Bouton de réglage de l'inclinaison | 15 Guides d'attache ISOFIX |
| 7 Verrouillage du pivotement | 16 Protection contre les chocs latéraux |
| 8 Bouton de rotation | *doit être utilisé uniquement du côté de la porte |
| 9 Houssets des harnais d'épaules | |



AVERTISSEMENT

- ! VEUILLEZ vous assurer que les éléments rigides et les pièces en plastique du système de retenue pour enfants amélioré soient situés et installés de sorte qu'ils ne soient pas susceptibles de se coincer sous un siège mobile ou dans la porte du véhicule lors de l'utilisation quotidienne du véhicule.
- ! N'utilisez PAS les systèmes de retenue pour enfants améliorés face à l'arrière dans des positions d'assise où un airbag frontal actif est installé.
- ! Pour utiliser ce dispositif de retenue pour enfants amélioré conformément à la réglementation UN N°129/03, votre enfant doit respecter les conditions suivantes.
- ! Mode Face à l'arrière : Taille de l'enfant 40cm-105cm / max. 21kg ;
Mode Face à l'avant : Taille de l'enfant 76cm-105cm / max. 21kg ;
- ! IMPORTANT - NE PAS UTILISER FACE À LA ROUTE AVANT QUE L'ÂGE DE L'ENFANT ATTEIGNE 15 MOIS (voir les instructions).
- ! Le dispositif de retenue pour enfant amélioré peut ne pas convenir à tous les véhicules homologués à cause des compartiments de rangement ou d'un espace limité sur le toit du véhicule. En cas de doute, veuillez contacter votre revendeur ou nous contacter.
- ! Les piètements de support doivent être en contact avec le plancher du véhicule et les sangles retenant l'enfant doivent être ajustées sur le corps de l'enfant et les sangles ne doivent pas être tordues.

AVERTISSEMENT

- ! Après avoir placé votre enfant dans le dispositif de retenue amélioré, la ceinture de sécurité doit être utilisée correctement. Veuillez vérifier que toute sangle sous-abdominale est installée vers le bas, de manière à ce que le bassin soit fermement engagé, ceci est important.
- ! Ce dispositif de retenue pour enfants amélioré doit être remplacé s'il a été soumis à des tensions violentes dans un accident. Un accident peut les endommager, même si vous ne voyez pas les dommages.
- ! Soyez conscient du danger d'apporter des modifications ou des ajouts au dispositif sans l'approbation de l'autorité concernée ainsi que du danger de ne pas respecter strictement les instructions d'installation fournies par le fabricant du dispositif de retenue pour enfants amélioré.
- ! Veuillez conserver ce dispositif de retenue pour enfants amélioré à l'écart de la lumière du soleil, car il pourrait devenir trop chaud pour la peau de l'enfant. Touchez toujours le dispositif de retenue pour enfants amélioré avant de placer l'enfant dedans.
- ! Ne laissez PAS votre enfant sans surveillance avec ce dispositif de retenue pour enfants amélioré.
- ! Tout bagage et autres objets susceptibles de causer des blessures en cas de collision doivent être correctement sécurisés.
- ! Le dispositif de retenue pour enfants amélioré NE DOIT PAS être utilisé sans les pièces souples.
- ! Les pièces souples ne doivent pas être remplacées par des pièces autres que celles recommandées par le fabricant, car les pièces souples font partie intégrante des performances du dispositif de retenue.

AVERTISSEMENT

- ! Veuillez vérifier si ce dispositif de retenue pour enfants amélioré peut être installé correctement dans votre véhicule avant de l'acheter.
- ! AUCUN dispositif de retenue pour enfants amélioré ne peut garantir une protection complète contre les blessures en cas d'accident. Cependant, une bonne utilisation de ce dispositif de retenue pour enfants amélioré réduira les risques de blessures sérieuses ou de mort pour votre enfant.
- ! N'installez PAS ce dispositif de retenue pour enfants amélioré sans respecter les instructions de ce manuel, ou vous pourriez exposer votre enfant à un risque élevé de blessures ou de mort.
- ! N'utilisez PAS ce dispositif de retenue pour enfants amélioré si des pièces sont endommagées ou manquantes.
- ! Ne faites PAS porter à votre enfant des vêtements trop amples/grands, car cela pourrait l'empêcher d'être bien attaché par les sangles du harnais pour les épaules et le harnais entre les jambes.

En cas d'urgence



En cas d'urgence ou d'accident, il est très important que votre enfant soit immédiatement pris en charge par les premiers secours et des soins médicaux.

Informations sur le produit

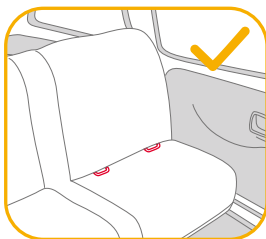
1. Il s'agit d'un système de retenue pour enfants amélioré i-Size. Il est approuvé conformément à la réglementation UN n°129 pour une utilisation dans des positions de sièges de véhicules compatibles i-Size comme indiqué par le constructeur dans le manuel de l'utilisateur du véhicule.
2. En cas de doute, consultez le fabricant du système de retenue pour enfants amélioré ou le distributeur.

Matériaux Plastiques, métal, tissus
N° de brevet Brevets en attente

Choisissez votre installation

	Taille de l'enfant	Mode d'installation	Illustration pour l'installation	Âge de référence	Position du siège
ECE R129	40cm-105cm/ ≤ 21kg	Face à l'arrière		Environ 4 ans	Position 1-5
	76cm-105cm/ ≤ 21kg	Face à la route		De 15 mois à environ 4 ans	Position 1-5

Problèmes liés à l'installation



Utilisation du dispositif de protection contre les chocs latéraux

voir les images 1 - 2

1. Le dispositif de retenue pour enfants amélioré est livré avec un module de protection contre les chocs latéraux amovible. Insérez le module de protection contre les chocs latéraux sur le côté le plus proche de la porte. L'installation est indiquée dans 1.
2. Appuyez sur le bouton d'ouverture pour retirer le dispositif de protection contre les chocs latéraux. 2

Réglage de la hauteur du repose-tête et du harnais pour épaules

voir les images 3 - 6

Veillez ajuster le support de tête et vérifier si les harnais pour épaules sont à la bonne hauteur conformément à 3&4&5&6

! En cas d'utilisation face à l'arrière, la hauteur des harnais d'épaules doit être au niveau ou en dessous du sommet des épaules de l'enfant. 3

! En cas d'utilisation face à l'avant, la hauteur des harnais d'épaules doit être au niveau ou en dessus du sommet des épaules de l'enfant. 4

Appuyez sur le levier d'ajustement du support de tête 5 et relevez ou abaissez le support de tête jusqu'à ce qu'il s'enclenche dans l'une des 6 positions, comme indiqué dans 6.

Réglage de l'inclinaison

voir les images 7 - 8

Appuyez sur le bouton de réglage de l'inclinaison, pour ajuster le dispositif de retenue pour enfants amélioré à la position désirée. 7&8.

Il y a 5 positions d'inclinaison qui peuvent être utilisées pour le mode face à l'avant et face à l'arrière. 8

Installation de la base

voir les images 9 - 15

1. Insérez les guides ISOFIX pour faciliter l'installation. 9
 2. Appuyez sur le bouton de réglage ISOFIX pour étendre l'ISOFIX. 11 -1 & 11 -2
 3. Vérifiez que les deux connecteurs ISOFIX sont bien attachés aux points d'ancrage ISOFIX. Les indicateurs des deux connecteurs ISOFIX doivent être complètement verts. 12 -1
- ! Appuyez à nouveau sur les boutons de réglage ISOFIX tout en poussant le dossier du siège jusqu'à ce qu'il entre en contact avec le dossier du siège du véhicule.
4. Après avoir attaché l'ISOFIX, tirez le piètement de charge vers le bas jusqu'au plancher. Si l'indicateur du piètement de charge est vert, le piètement de charge est installé correctement. 12 -2
 5. Appuyez sur le bouton de déverrouillage du piètement de charge, puis ajustez la longueur du piètement de charge. 12 -3
- ! Assurez-vous toujours que le support de pieds est en contact direct avec le sol et qu'il est en position verrouillée même lorsque l'enfant n'est pas dans le siège.

Retrait du siège

1. Pour le retirer du véhicule, appuyez sur le bouton de réglage ISOFIX et tirez la base du siège. Puis appuyez et relâchez les connecteurs du système ISOFIX du véhicule. 14
2. Pour éviter tout dommage pendant le transport, appuyez sur le bouton de réglage ISOFIX 15 -1 et pliez complètement le connecteur. 15 -2

Utilisation en mode face à l'arrière (Taille de l'enfant 40cm-105cm / Poids de l'enfant ≤ 21kg/bébé - 4 ans)

voir les images 16 - 23

! Veuillez installer le dispositif de retenue pour enfants amélioré sur le siège arrière du véhicule, puis placez l'enfant dans le dispositif de retenue pour enfants amélioré.

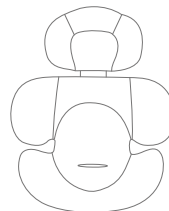
Appuyez sur le bouton de rotation afin de le tourner pour une installation/un retrait latéral plus facile de l'enfant, puis tournez le siège en position dos à la route. 16 & 17

! Appuyez sur le bouton de rotation sur l'un des deux côtés pour tourner le dispositif de retenue pour enfants amélioré.

Sécuriser l'enfant

1. Pour allonger les sangles du harnais d'épaules, appuyez sur le bouton de réglage du harnais tout en tirant le harnais d'épaules pour les desserrer. 18
2. Déverrouillez la boucle en appuyant sur le bouton rouge. 19
3. Fixez les boucles des deux côtés du siège comme indiqué dans 20 situées des deux côtés du siège pour rendre l'installation de l'enfant en mode dos à la route plus pratique.

Utiliser le support pour bébé



Nous conseillons d'utiliser l'insert intégral pour bébé lorsque le bébé mesure moins de 60cm ou lorsqu'il dépasse du support pour bébé. Le support pour bébé augmente la protection contre les impacts latéraux.

4. Placez l'enfant dans le dispositif de retenue pour enfants amélioré et passez les deux bras à travers le harnais.
 5. Engagez la boucle. Veuillez consulter ²¹
 6. Tirez la sangle de réglage et ajustez-la à la bonne longueur pour vous assurer que votre enfant est correctement attaché. ²²
- ! Maintenez toujours l'enfant attaché dans le harnais et correctement serré en éliminant le jeu éventuel.
 - ! Vérifiez que l'espace entre l'enfant et les sangles du harnais pour épaules fait environ l'épaisseur d'une main.
 - ! Lorsque le siège est tourné en place et correctement engagé, le bouton de rotation sera vert, autrement il sera rouge. ²³
 - ! Assurez-vous toujours que le siège est en position verrouillée (face à l'arrière / face à l'avant) même lorsque l'enfant n'est pas dans le siège.

Utilisation en mode Face à l'avant (Taille de l'enfant 76cm-105cm/Poids de l'enfant ≤ 21kg/15 mois - environ 4 ans)

voir les images ²⁴ - ³¹

- ! Veuillez installer le dispositif de retenue pour enfants amélioré sur le siège arrière du véhicule, puis placez l'enfant dans le dispositif de retenue pour enfants amélioré.
- Appuyez sur le bouton de rotation afin de le tourner pour une installation/ un retrait latéral plus facile de l'enfant, puis tournez le siège en position face à l'avant. ^{24&25}
- ! Appuyez sur le bouton de rotation sur l'un des deux côtés pour tourner le dispositif de retenue pour enfants amélioré.

Sécuriser l'enfant

1. Pour allonger les sangles du harnais d'épaules, appuyez sur le bouton de réglage du harnais tout en tirant le harnais d'épaules pour les desserrer. ²⁶
 2. Déverrouillez la boucle des harnais en appuyant sur le bouton rouge. ²⁷
- ! Retirez l'insert pour bébé en mode face à l'avant. ²⁸

3. Placez les languettes de la boucle contre la zone magnétique sur le bord extérieur du dispositif de retenue pour enfants amélioré pour que les languettes soient maintenues en place.
 4. Placez l'enfant dans le dispositif de retenue pour enfants amélioré et passez les deux bras à travers le harnais.
 5. Engagez la boucle.
 6. Tirez la sangle de réglage et ajustez-la à la bonne longueur pour vous assurer que votre enfant est correctement attaché. ²⁹
 7. Appuyez sur le bouton de verrouillage du pivotement ³⁰⁻¹ pendant que vous tournez le siège en mode face à l'avant. ³⁰⁻²
- ! Lorsque le siège est tourné en place et correctement engagé, le bouton de rotation sera vert, autrement il sera rouge. ³⁰
 - ! Assurez-vous toujours que le siège est en position verrouillée (face à l'arrière / face à l'avant) même lorsque l'enfant n'est pas dans le siège.
 - ! Les connecteurs ISOFIX doivent être attachés et verrouillés sur les points d'ancrage ISOFIX. ³¹⁻¹
 - ! Le piètement de charge doit être installé correctement avec l'indicateur vert. ³¹⁻²
 - ! Maintenez toujours l'enfant attaché dans le harnais et correctement serré en éliminant le jeu éventuel.
 - ! NE PAS utiliser en mode face à l'avant si la taille de votre enfant est inférieure à 76 cm ET qu'il a moins de 15 mois.

Détacher les parties souples

voir les images ³² - ⁴⁰

- Appuyez sur le bouton rouge pour désengager la boucle. ³²
- Suivez les étapes ³³ - ⁴⁰ pour détacher les parties souples. Pour fixer à nouveau les parties souples, veuillez répéter les étapes ci-dessus dans l'ordre inverse.

Entretien et maintenance

- ! Rangez le coussinet dans un endroit hors de portée de l'enfant.
- ! Lavez les pièces souples à l'eau froide à moins de 30 °C.
- ! Ne repassez pas les pièces souples.
- ! Ne nettoyez pas les pièces souples à sec ou à l'eau de javel.
- ! N'utilisez pas de détergents neutres non dilués, de l'essence ou d'autres solvants organiques pour laver le dispositif de retenue pour enfants amélioré ou la base. Cela pourrait endommager le dispositif de retenue pour enfants amélioré.
- ! N'essorez pas les pièces souples avec trop de force. Des plis pourraient apparaître sur les pièces souples.
- ! Laissez les pièces souples sécher à l'ombre.
- ! Veuillez retirer le dispositif de retenue pour enfants amélioré du véhicule si vous ne prévoyez pas de l'utiliser pendant une longue période.



DE Willkommen bei Joie™

Sie haben ein hochwertiges, vollständig zertifiziertes Kinderrückhaltesystem erworben. Dieses Produkt eignet sich für die Verwendung mit Kindern mit einer Körpergröße von bis 105cm und einem Gewicht bis 21kg.

Lesen Sie diese Gebrauchsanleitung aufmerksam und befolgen Sie die Installationsschritte, da Sie NUR SO Ihr Kind vor ernsthaften Verletzungen im Falle eines Unfalls schützen und Ihrem Kind bei der Nutzung dieses Produktes maximalen Komfort bieten können.

Bewahren Sie diese Gebrauchsanleitung zum künftigen Nachschlagen auf.

Bitte bestätigen

Zur Nutzung dieses verstärkten Joie-Kinderrückhaltesystems mit i-Size-ISOFIX-Verbindungen entsprechend UN-Regelung Nr.129/03 muss Ihr Kind folgende Anforderungen erfüllen.

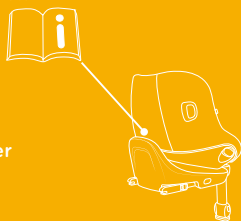
Entgegen der Fahrtrichtung: Körpergröße des Kindes 40 bis 105 cm/ Gewicht des Kindes ≤21kg;

In Fahrtrichtung: Alter des Kindes ≥ 15 Monate/ Körpergröße des Kindes 76 bis 105 cm/ Gewicht des Kindes ≤ 21kg;

Bitte lesen Sie vor Installation und Nutzung des Produktes alle Anweisungen in dieser Anleitung.

**! WICHTIG: FÜR KÜNFTIGE BEZUGNAHME AUFBEWAHREN.
BITTE SORGFÄLTIG DURCHLESEN.**

Bewahren Sie die Anleitung bitte in dem rechts abgebildeten Aufbewahrungsfach an der Rückseite des Sitzes auf.

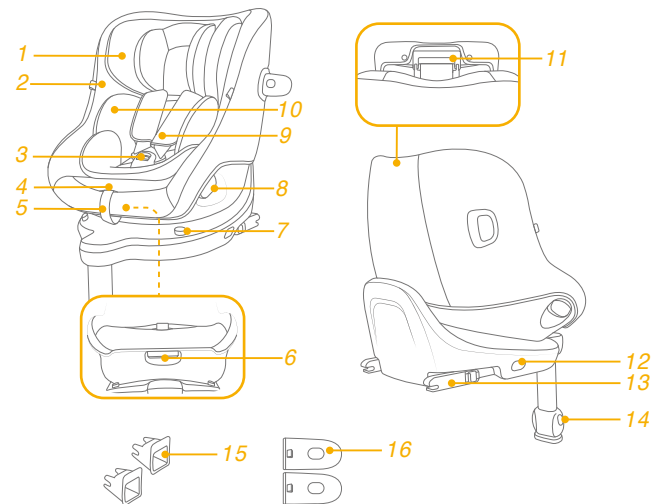


Garantieinformationen finden Sie auf unserer Webseite unter joiebaby.com

Teileliste

Bitte vergewissern Sie sich, dass nichts fehlt. Bitte wenden Sie sich an den Händler, falls etwas fehlen sollte.

- | | | | |
|---|----------------------------------|----|--------------------------------------|
| 1 | Kopfstütze | 10 | Einsatz |
| 2 | Sitzpolster | 11 | Kopfstützenversteller |
| 3 | Schnallen | 12 | ISOFIX-Einstellknopf |
| 4 | Gurtverstellknopf | 13 | ISOFIX-Verbinder |
| 5 | Gurtführungseinstellung | 14 | Standbein-Einstellknopf |
| 6 | Neigungseinstellknopf | 15 | ISOFIX-Befestigungsführungen |
| 7 | Schwenkarretierung aus Drehknopf | 16 | Seitlicher Aufprallschutz |
| 9 | Schultergurtabdeckungen | | *Darf nur an Türseite genutzt werden |



WARNUNG

- ! **ACHTEN** Sie darauf, feste Teile und Kunststoffteile eines fortschrittlichen Kinderrückhaltesystems so zu platzieren und zu installieren, dass sie während der täglichen Nutzung des Fahrzeugs nicht in einem beweglichen Sitz oder in einer Fahrzeugtür eingeklemmt werden.
- ! Verwenden Sie entgegen der Fahrtrichtung ausgerichtete Kinderrückhaltesysteme **NICHT** in Sitzpositionen, an denen ein aktiver Front-Airbag installiert ist.
- ! Zur Nutzung dieses fortschrittlichen Kinderrückhaltesystems entsprechend der UN-Richtlinie Nr. 129/03 muss Ihr Kind die folgenden Voraussetzungen erfüllen.
- ! Rückwärts gerichteter Modus: Körpergröße des Kindes 40 bis 105 cm/max. 21kg;
Vorwärts gerichteter Modus: Körpergröße des Kindes 76 bis 105 cm/max. 21kg;
- ! Wichtig – nicht in Fahrtrichtung verwenden, bevor das Kind älter als 15 Monate ist (siehe Anweisungen).
- ! Das fortschrittliche Kinderrückhaltesystem passt aufgrund der Aufbewahrungsfächer oder aufgrund des beschränkten Platzes bis zum Fahrzeugdach möglicherweise nicht in alle zugelassenen Fahrzeuge. Wenden Sie sich im Zweifelsfall an Ihren Händler oder direkt an uns.
- ! Jedes Standbein muss den Fahrzeugboden berühren und alle Haltegurte müssen entsprechend dem Körper des Kindes angepasst werden. Gurte dürfen nicht verdreht sein.

WARNUNG

- ! Bringen Sie den Sicherheitsgurt richtig an, nachdem Sie Ihr Kind in dieses fortschrittliche Kinderrückhaltesystem gesetzt haben. Stellen Sie sicher, dass der Beckengurt so tief wie möglich angelegt ist, damit das Becken sicher gehalten wird.
- ! Dieses Kinderrückhaltesystem sollte ersetzt werden, wenn sie übermäßiger Belastung in einem Unfall ausgesetzt waren. Ein Unfall kann es beschädigen, ohne sichtbare Spuren aufzuweisen.
- ! Beachten Sie die Gefahren durch nicht von einer zuständigen Stelle zugelassenen Veränderungen oder Ergänzungen an diesem Produkt. Beachten Sie außerdem die Gefahren bei Nichteinhaltung der Installationsanweisungen des Herstellers eines Kinderrückhaltesystems.
- ! Bitte platzieren Sie dieses fortschrittliche Kinderrückhaltesystem nicht im direkten Sonnenlicht; andernfalls kann es zu heiß für die Haut Ihres Kindes werden. Fassen Sie das Kinderrückhaltesystem immer erst an, bevor Sie das Kind hineinsetzen.
- ! Ihr Kind **NIEMALS** unbeaufsichtigt im fortschrittlichen Kinderrückhaltesystem zurücklassen.
- ! Gepäck und andere Gegenstände, die bei einem Unfall Verletzungen verursachen könnten, sollten angemessen gesichert werden.
- ! Das fortschrittliche Kinderrückhaltesystem sollte **NICHT** ohne die Textilteile verwendet werden.
- ! Die Textilteile sollten ausschließlich durch die vom Hersteller empfohlenen Teile ersetzt werden, da sie das Verhalten des Kinderrückhaltesystems wesentlich beeinflussen.

WARNUNG

- ! Bitte vergewissern Sie sich, dass dieses fortschrittliche Kinderrückhaltesystem richtig in Ihrem Fahrzeug installiert werden kann.
- ! KEIN Kinderrückhaltesystem kann vollständigen Schutz vor Verletzungen bei einem Unfall garantieren. Dennoch reduziert der ordnungsgemäße Einsatz dieses fortschrittlichen Kinderrückhaltesystems die Gefahr ernsthafter oder tödlicher Verletzungen Ihres Kindes.
- ! Installieren oder verwenden Sie das verstärkte Kinderrückhaltesystem NICHT, ohne die Anweisungen in dieser Anleitung zu befolgen; andernfalls drohen Ihrem Kind ernsthafte oder gar tödliche Verletzungen.
- ! Verwenden Sie dieses verstärkte Kinderrückhaltesystem NICHT, falls es beschädigt ist oder Teile fehlen.
- ! Ziehen Sie Ihrem Kind beim Einsatz dieses verstärkten Kinderrückhaltesystems im Fahrtrichtung-Modus KEINE übergroßen Kleidungsstücke an; andernfalls kann Ihr Kind nicht ordnungsgemäß und zuverlässig über die Schultergurte und den Schrittgurt zwischen den Beinen gesichert werden.

Notfall



Bei einem Notfall oder Unfall ist es besonders wichtig, dass bei Ihrem Kind umgehend Erste Hilfe geleistet und es medizinisch versorgt wird.

Produktinformationen

1. Dies ist ein verstärktes „i-Size“-Kinderrückhaltesystem. Es ist gemäß UN-Richtlinie Nr. 129 für die Verwendung in „i-Size“-kompatiblen Fahrzeugsitzpositionen zugelassen, wie vom Fahrzeughersteller im Handbuch Ihres Fahrzeugs aufgeführt ist.
2. Bitte wenden Sie sich im Zweifelsfall an den Hersteller oder Händler des verstärkten Kinderrückhaltesystems.

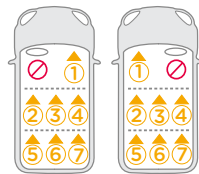
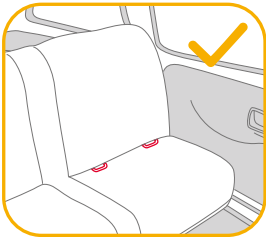
Materialien	Kunststoff, Metall, Stoff
Patent-Nr.	Patente angemeldet

Ihre Installation wählen

Körpergröße des Kindes	Installationsmodus	Abbildung zur Installation	Referenzalter	Sitzposition
40 bis 105 cm/ ≤ 21kg	Entgegen der Fahrtrichtung		Ca. 4 Jahre	Position 1 bis 5
76 bis 105 cm/ ≤ 21kg	Blick in Fahrtrichtung		15 Monate bis circa 4 Jahre	Position 1 bis 5

ECE R129

Hinweise zur Installation



Seitlichen Aufprallschutz verwenden

siehe Abbildungen 1 - 2

- Das fortschrittliche Kinderrückhaltesystem wird mit abnehmbarem seitlichem Aufprallschutz geliefert. Setzen Sie den seitlichen Aufprallschutz an der Seite ein, die der Tür am nächsten ist. Installation in 1.
- Drücken Sie zum Entfernen des seitlichen Schutz den Freigabeknopf. 2

Höhenanpassung für Kopfstütze und Schultergurte

siehe Abbildungen 3 - 6

Bitte passen Sie die Kopfstütze an und prüfen, ob sich der Schultergurt auf der richtigen Höhe befindet (vgl. 3 & 4 & 5 & 6)

! Bei Verwendung im rückwärts gerichteten Modus müssen die Schultergurte gleich hoch wie die Oberseite der Schultern des Kindes oder knapp darunter verlaufen. 3

! Bei Verwendung im vorwärts gerichteten Modus müssen die Schultergurte gleich hoch wie die Oberseite der Schultern des Kindes oder knapp darüber verlaufen. 4

Drücken Sie den Kopfstützeinstellhebel 5 und ziehen Sie die Kopfstütze nach oben bzw. drücken Sie sie hinunter, bis sie in einer der 6 Positionen einrastet; vgl. 6.

Neigungseinstellung

siehe Abbildungen 7 - 8

Drücken Sie den Neigungseinstellknopf zur Anpassung der gewünschten Position des fortschrittlichen Kinderrückhaltesystems. 7 & 8.

Es gibt 5 Neigungspositionen, die für in und entgegen der Fahrtrichtung genutzt werden können. 8

Basis installieren

siehe Abbildungen 9 - 15

1. Stecken Sie als Hilfestellung bei der Installation die ISOFIX-Führungen hinein. 9
 2. Drücken Sie zum Verlängern des ISOFIX den ISOFIX-Einstellknopf. 11 -1 & 11 -2
 3. Achten Sie darauf, dass beide ISOFIX-Befestigungen gut an ihren ISOFIX-Verankerungspunkten befestigt sind. Die Anzeigen an beiden ISOFIX-Befestigungen sollten vollständig grün sein. 12 -1
- ! Drücken Sie die ISOFIX-Einstellknöpfe erneut, während Sie den Sitz nach hinten drücken, bis er die Rückenlehne des Fahrzeugsitzes berührt.
4. Ziehen Sie das Standbein nach ISOFIX-Anbringung nach unten zum Boden. Wenn die Standbeinanzeige wird grün, ist das Standbein richtig installiert. 12 -2
 5. Drücken Sie den Standbein-Freigabeknopf zusammen. Verkürzen Sie dann das Standbein, indem Sie die Länge anpassen. 12 -3
- ! Achten Sie immer darauf, dass das Standbein direkten Kontakt mit dem Boden hat und verriegelt ist, selbst wenn kein Kind im Produkt sitzt.

Sitz entfernen

1. Zum Ausbau aus dem Fahrzeug müssen Sie auf den ISOFIX-Einstellknopf drücken und die Basis vom Sitz ziehen. Drücken Sie dann die ISOFIX-Verbindungen des Fahrzeugs und lassen Sie sie los. 14
2. Vermeiden Sie Schäden während des Transports, indem Sie den ISOFIX-Einstellknopf 15 -1 drücken und den Verbinder vollständig einklappen. 15 -2

Modus entgegen der Fahrtrichtung verwenden

(Körpergröße des Kindes 40 bis 105 cm/Gewicht des Kindes ≤ 21 kg/ Baby bis 4 Jahre)

siehe Abbildungen 16 - 23

! Installieren Sie das fortschrittliche Kinderrückhaltesystem am Rücksitz eines Fahrzeugs, und setzen Sie das Kind dann in das fortschrittliche Kinderrückhaltesystem.

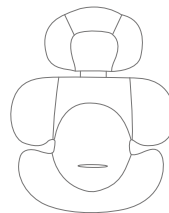
Drücken Sie den Drehknopf, damit Sie das Kind leichter seitlich hineinsetzen/herausnehmen können. Drehen Sie den Sitz dann in die rückwärts gerichtete Position. 16 & 17

! Drücken Sie den Drehknopf an beiden Seiten, damit Sie das fortschrittliche Kinderrückhaltesystem drehen können.

Kind sichern

1. Verlängern Sie die Schultergurtriemen, indem Sie den Gurtverstellknopf drücken, während Sie die Schultergurte zum Lösen herausziehen. 18
2. Lösen Sie den Gurt, indem Sie den roten Knopf drücken. 19
3. Schnallen an beiden Seiten des Sitzes wie in 20 gezeigt schließen, damit das Kind komfortabler in Fahrtrichtung sitzen kann.

Verwendung des Babyeinsatz



Sie sollten den vollständigen Babyeinsatz verwenden, solange das Baby weniger als 60 cm misst, und Sie können ihn verwenden, bis es dem Babyeinsatz entwachsen ist. Der Babyeinsatz ist mit einem seitlichen Aufprallschutz verstärkt.

4. Setzen Sie das Kind in das fortschrittliche Kinderrückhaltesystem und führen Sie beide Arme durch die Gurte.
 5. Schließen Sie die Schnalle. Bitte beachten Sie ²¹
 6. Ziehen Sie die Gurtführung herab und stellen Sie sie auf die passende Länge ein, so dass Ihr Kind sicher ordnungsgemäß wird. ²²
- ! Achten Sie stets darauf, dass Ihr Kind sicher angeschnallt und gut befestigt ist, indem Sie jeglichen Durchhang beseitigen.
 - ! Der Abstand zwischen dem Kind und dem Schulterriemen sollte etwa die Dicke einer Hand betragen.
 - ! Wenn der Sitz in Position gedreht und richtig verriegelt wird, wird der Drehknopf grün; andernfalls wird er rot. ²³
 - ! Achten Sie immer darauf, dass sich der Sitz in der verriegelten Position (entgegen der Fahrtrichtung / in Fahrtrichtung) befindet, selbst wenn kein Kind darin sitzt.

Modus in Fahrtrichtung verwenden (Körpergröße des Kindes 76 bis 105 cm/Gewicht des Kindes ≤ 21 kg/15 Monate bis ca. 4 Jahre)

siehe Abbildungen ²⁴ - ³¹

- ! Installieren Sie das fortschrittliche Kinderrückhaltesystem am Rücksitz eines Fahrzeugs, und setzen Sie das Kind dann in das fortschrittliche Kinderrückhaltesystem.
- Drücken Sie den Drehknopf, damit Sie das Kind leichter seitlich hineinsetzen/herausnehmen können. Drehen Sie den Sitz dann in die nach vorne gerichtete Position. ²⁴ & ²⁵
- ! Drücken Sie den Drehknopf an beiden Seiten, damit Sie das fortschrittliche Kinderrückhaltesystem drehen können.

Kind sichern

1. Verlängern Sie die Schultergurtriemen, indem Sie den Gurtverstellknopf drücken, während Sie die Schultergurte zum Lösen herausziehen. ²⁶
 2. Lösen Sie die Schnalle der Gurte, indem Sie den roten Knopf drücken. ²⁷
- ! Entfernen Sie den Babykeil im Fahrtrichtung-Modus. ²⁸

3. Platzieren Sie die Steckzungen am Magnetbereich an der Außenseite des fortschrittlichen Kinderrückhaltesystems so, dass die Zungen gehalten werden.
 4. Setzen Sie das Kind in das fortschrittliche Kinderrückhaltesystem und führen Sie beide Arme durch die Gurte.
 5. Schließen Sie die Schnalle.
 6. Ziehen Sie die Gurtführung herab und stellen Sie sie auf die passende Länge ein, so dass Ihr Kind sicher ordnungsgemäß wird. ²⁹
 7. Drücken Sie den Knopf Schwenkarretierung aus ³⁰⁻¹, während Sie den Sitz in den Modus in Fahrtrichtung drehen. ³⁰⁻²
- ! Wenn der Sitz in Position gedreht und richtig verriegelt wird, wird der Drehknopf grün; andernfalls wird er rot. ³⁰
 - ! Achten Sie immer darauf, dass sich der Sitz in der verriegelten Position (entgegen der Fahrtrichtung / in Fahrtrichtung) befindet, selbst wenn kein Kind darin sitzt.
 - ! Die ISOFIX-Befestigungen müssen mit den ISOFIX-Verankerungspunkten verbunden und dort eingerastet sein. ³¹⁻¹
 - ! Das Standbein muss richtig installiert sein, was durch eine grüne Anzeige überprüft werden kann. ³¹⁻²
 - ! Achten Sie stets darauf, dass Ihr Kind sicher angeschnallt und gut befestigt ist, indem Sie jeglichen Durchhang beseitigen.
 - ! Verwenden Sie das Produkt NICHT im Modus in Fahrtrichtung, bis das Kind mindestens 76 cm groß UND 15 Monate alt ist.

Textilteile entfernen

siehe Abbildungen ³² - ⁴⁰

- Drücken Sie den roten Knopf zum Lösen der Schnalle. ³²
- Befolgen Sie zum Entfernen der Textilteile die Schritte ³³ - ⁴⁰.
- Bringen Sie die Textilteile wieder an, indem Sie die obigen Schritte in umgekehrter Reihenfolge befolgen.

Pflege und Wartung

- ! Bitte bewahren Sie das Polster außerhalb der Reichweite von Kindern auf.
- ! Bitte waschen Sie die Textilteile mit kaltem Wasser unter 30 °C.
- ! Sie dürfen die Textilteile nicht bügeln.
- ! Sie dürfen die Textilteile nicht bleichen oder in die chemische Reinigung geben.
- ! Reinigen Sie dieses Kinderrückhaltesystem oder die Basis nicht mit unverdünnten Reinigungsmitteln Benzin oder anderen organischen Lösungsmitteln. Diese können das fortschrittliche Kinderrückhaltesystem beschädigen.
- ! Wringen Sie die Textilteile nicht kräftig aus. Andernfalls könnten an den Textilteilen Falten zurückbleiben.
- ! Bitte hängen Sie die Textilteile zum Trocknen im Schatten auf.
- ! Bitte entfernen Sie das fortschrittliche Kinderrückhaltesystem vom Fahrzeugsitz, wenn es längere Zeit nicht verwendet wird.



NL Welkom bij Joie™

U hebt een volledig gecertificeerd kinderzitje voor kindveiligheid van hoge kwaliteit aangeschaft. Dit product is geschikt voor gebruik met kinderen met een lengte van tot 105cm en een gewicht van 21kg.

Lees deze instructiehandleiding zorgvuldig door en volg de installatiestappen want dit is de ENIGE manier om uw kind te beschermen tegen ernstig letsel of overlijden in geval van een ongeluk, en om uw kind comfort te geven bij het gebruik van dit product.

Bewaar deze instructiehandleiding voor raadpleging in de toekomst.

Bevestigen

Om dit verbeterde Joie-kinderzitje met de i-Size ISOFIX-aansluitingen volgens het VN-voorschrift nr. 129/03 te kunnen gebruiken, moet uw kind aan de volgende voorwaarden voldoen.

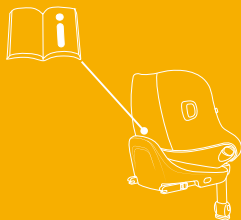
Achteruit kijkend: Lengte kind 40cm-105cm/gewicht kind \leq 21kg; Naar voren kijkend: Leeftijd kind \geq 15m/ Lengte kind 76cm-105cm/ Gewicht kind \leq 21kg;

Lees alle aanwijzingen in deze handleiding voordat u het product opzet en gebruikt.

**! BELANGRIJK: BEWAREN VOOR LATER GEBRUIK.
LEES DIT ZORGVULDIG DOOR.**

Bewaar de handleiding in het bewaarvak achterop de stoel zoals rechts is afgebeeld.

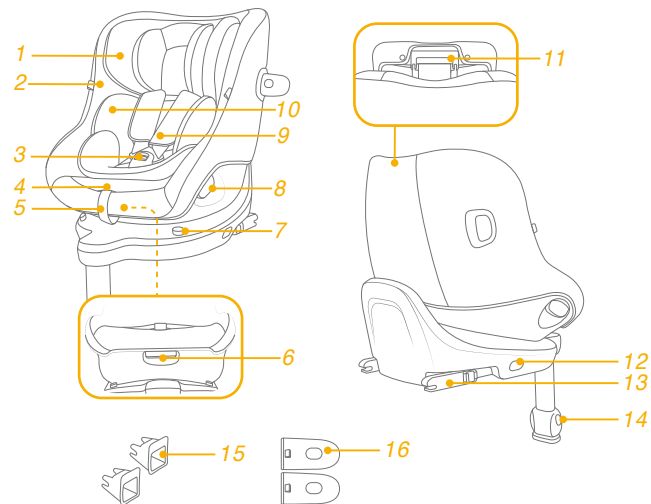
Bezoek voor informatie over de garantie onze website op joiebaby.com



Onderdelenlijst

Controleer op ontbrekende onderdelen. Neem contact op met de verkoper als iets ontbreekt.

- | | | | |
|---|----------------------------|----|--|
| 1 | Hoofdsteun | 10 | Inzetstuk |
| 2 | Zitkussen | 11 | Instelhendel voor hoofdsteun |
| 3 | Gesp | 12 | ISOFIX-instelknop |
| 4 | Instelknop voor de riemen | 13 | ISOFIX-aansluiting |
| 5 | Instellen gordel | 14 | Instelknop beenruimte |
| 6 | Instelknop schuine stand | 15 | ISOFIX-bevestigingsgeleiders |
| 7 | Draai-ontgrendeling | 16 | Af scherming voor inslag opzij |
| 8 | Draaiknop | | <small>*mag alleen worden gebruikt aan deurzijde</small> |
| 9 | Afdekkingen schouderriemen | | |



WAARSCHUWING

- ! WEES geïnformeerd dat de stugge items en plastic onderdelen van een verbeterd kinderzitstelsel zo moeten worden geplaatst en geïnstalleerd dat ze niet klem kunnen komen door een verplaatsbare stoel of in een deur van het voertuig tijdens dagelijks gebruik van het voertuig.
- ! Gebruik NIET de naar achteren kijkende verbeterde kinderzitstelsels in stoelposities waarbij een actieve frontale airbag is geïnstalleerd.
- ! Om dit verbeterde kinderzitje volgens de VN-verordening nr. 129/03 te kunnen gebruiken, moet uw kind aan de volgende voorwaarden voldoen.
- ! Achteruit kijkende modus: Lengte kind 40cm-105cm/ max. 21kg;
Vooruit kijkende modus: Lengte kind 76cm-105cm/ max. 21kg;
- ! **BELANGRIJK - NIET VOORUIT KIJKEND GEBRUIKEN VOORDAT HET KIND OUDER IS DAN 15 MAANDEN** (raadpleeg instructies).
- ! Het verbeterde kinderzitje past wellicht niet in alle goedgekeurde voertuigen vanwege opslagcompartimenten of beperkte ruimte tot het dak van het voertuig. Neem bij twijfel contact op met uw verkoper of neem contact met ons op.
- ! Enige steunvoet moet in contact staan met de vloer van het voertuig, alle riemen die het kind vastzetten, moeten worden afgesteld op het lichaam van het kind, en riemen mogen niet verdraaid zijn.

WAARSCHUWING

- ! Nadat uw kind in dit verbeterde kinderzitje is geplaatst, moet de veiligheidsriem op de juiste manier worden gebruikt. Zorg ervoor dat elke middelriem laag wordt gedragen, zodat het bekken stevig vast zit.
- ! Dit verbeterde kinderzitje moet worden vervangen als ze onderworpen zijn geweest aan zware spanningen bij een ongeluk. Een ongeluk kan daar schade aan veroorzaken die u niet kunt zien.
- ! Houd rekening met het gevaar van het aanbrengen van veranderingen of aanvullingen aan het apparaat zonder goedkeuring van de aangewezen instantie, en het gevaar van het niet nauwkeurig volgen van de aanwijzingen als geleverd door de fabrikant van het verbeterde kinderzitje.
- ! Houd dit verbeterde kinderzitje uit de buurt van zonlicht, anders kan het te heet worden voor de huid van uw kind. Raak het verbeterde kinderzitje altijd aan voordat u het kind erin plaatst.
- ! Laat uw kind NIET zonder toezicht achter in het verbeterde kinderzitstelsel.
- ! Bagage en andere voorwerpen die in geval van botsing letsel kunnen veroorzaken, moeten goed zijn vastgezet.
- ! GEBRUIK het verbeterde kinderzitje NIET zonder de zachte onderdelen.
- ! Vervang de zachte onderdelen alleen door de onderdelen die door de fabrikant worden aanbevolen omdat de zachte onderdelen een integraal onderdeel vormen van de werking van het kinderzitje.

WAARSCHUWING

- ! Controleer of dit verbeterde kinderzitje juist kan worden geïnstalleerd in uw voertuig voordat u het aanschaft.
- ! GEEN ENKEL verbeterd kinderzitje biedt volledige bescherming tegen letsel bij een ongeluk. Maar het juiste gebruik van het verbeterde kinderzitje vermindert het risico van ernstig letsel of de dood.
- ! Installeer dit verbeterde kinderzitje NIET zonder de aanwijzingen en waarschuwingen in deze handleiding te volgen, anders brengt u uw kind ernstig in gevaar.
- ! Gebruik dit verbeterde kinderzitje NIET als het is beschadigd of als onderdelen ontbreken.
- ! Kleed uw kind NIET in te ruimzittende kleding, omdat dit kan voorkomen dat uw kind, goed en stevig wordt vastgezet met de schoudergordels en de kruisriem tussen de benen.

Noodgeval



Bij een noodsituatie of een ongeluk is het heel belangrijk om uw kind direct te laten verzorgen met eerste hulp en medische behandeling.

Productinformatie

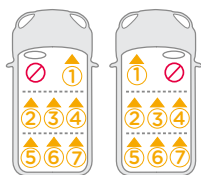
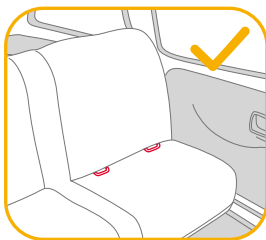
1. Dit is een i-Size verbeterd kinderzitsysteem. Het is goedgekeurd volgens VN-verordening nr. 129 voor gebruik in voor "i-Size geschikte" standen van autostoelen zoals is aangegeven door de fabrikant van de auto in de handleiding.
2. Neem in geval van twijfel contact op met de fabrikant van het verbeterde kinderzitsysteem of de verkoper.

Materiaal	Kunststoffen, metaal, geweven stoffen
Patentnr.	Patent aangevraagd

Uw installatie kiezen

	Grootte kind	Installatie-stand	Afbeelding voor installatie	Referentie-leeftijd	Stoel-positie
ECE R129	40cm-105cm/ ≤21kg	Achteruit kijkend		Ongeveer 4 jaar	Stand 1-5
	76cm-105cm/ ≤21kg	Naar voren kijkend		15 maanden tot ongeveer 4 jaar	Stand 1-5

Opletten bij installatie



Gebruik de afscherming voor inslag opzij

zie afbeeldingen 1 - 2

1. Dit verbeterde kinderzitje wordt geleverd met verwijderbare afscherming voor inslag opzij. Plaats de bescherming voor inslag opzij aan de zijde het dichtst bij de deur. Installatie getoond in 1.
2. Druk op de ontgrendelknop om de bescherming voor inslag opzij te verwijderen. 2

Hoogteafstelling voor hoofdsteun en schouderriemen

zie afbeeldingen 3 - 6

Pas de hoogteteun aan en controleer of de schouderriemen op de juiste hoogte zijn volgens 3 & 4 & 5 & 6

- ! Bij gebruik in de achteruit kijkende modus moet de hoogte voor de schouderriemen gelijklopen met of net onder de schouders van het kind staan. 3
- ! Bij gebruik in de vooruit kijkende modus moet de hoogte voor de schouderriemen gelijklopen met of net boven de schouders van het kind staan. 4

Druk op de hendel voor de afstelling van de hoofdsteun 5 en trek de hoofdsteun op of druk het omlaag tot het in een van de 6 standen klikt, als getoond in 6.

Instelling schuine stand

zie afbeeldingen 7 - 8

Druk op instelknop schuinstand in om het verbeterde kinderzitje in de gewenste stand te zetten. 7 & 8.

Er zijn 5 schuine standen die kunnen worden gebruikt voor zowel achteruit kijkende modus als vooruit kijkende modus. 8

Installatie van voet

zie afbeeldingen 9 - 15

1. Plaats ISOFIX-geleiders om te helpen bij de installatie. 9
 2. Druk op de ISOFIX-instelknop om de ISOFIX te verlengen. 11 -1& 11 -2
 3. Controleer of beide ISOFIX-aansluitingen stevig vast zitten aan hun ISOFIX-ankerpunten. De kleur van de indicatoren op beide ISOFIX-connectoren moet volledig groen zijn. 12 -1
- ! Druk nogmaals op de ISOFIX-instelknoppen terwijl u het zitje naar achteren drukt totdat het in contact komt met de rugleuning van de autostoel.
4. Na het bevestigen van de ISOFIX, trekt u de steunvoet omlaag naar de vloer. Als de indicator voor de steunvoet groen wordt, is deze goed geplaatst. 12 -2
 5. Knijp de ontgrendelknop van de steunvoet in en pas dan de lengte van de steunvoet aan. 12 -3
- ! Zorg er altijd voor dat de steunvoet in direct contact staat met de vloer en in de vergrendelde stand staat, zelfs wanneer het kind er niet in zit.

De stoel verwijderen

1. Om de voet te verwijderen van het voertuig, drukt u op de ISOFIX-instelknop en trekt u de voet terug van de stoel. Druk vervolgens op de aansluitingen van de ISOFIX van het voertuig. 14
2. Voor het voorkomen van schade tijdens transport, drukt u op de ISOFIX-instelknop 15 -1 en vouwt u de aansluiting volledig. 15 -2

De achteruit kijkende modus gebruiken

(Lengte kind 40cm-105cm/gewicht kind ≤ 21kg/
kind - 4 jaar oud)

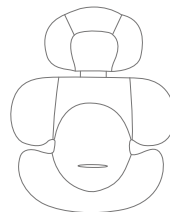
zie afbeeldingen 16 - 23

- ! Installeer het verbeterde kinderzitje op de achterbank en plaats het kind vervolgens in het verbeterde kinderzitje.
- Druk op de draaiknop om te draaien voor eenvoudiger plaatsen/uitnemen van het kind aan de zijkant, en draai de stoel vervolgens naar de achteruit kijkende stand. 16&17
- ! Druk op de draaiknop op een van beide zijden voor het draaien van het verbeterde kinderzitje.

Het kind vastzetten

1. Voor het verlengen van de schoudergordels, drukt u op de instelknop voor de riemen terwijl u de schoudergordels eruit trekt om losser te maken. 16
2. Maak de gesp van de riem los door op de rode knop te drukken. 19
3. Maak de gespen aan beide zijden van de stoel vast als getoond in 20, die zich bevinden aan beide zijden van de stoel zodat het kind gemakkelijker in de achteruit kijkende modus geplaatst kan worden.

Het baby-inzetstuk gebruiken



We adviseren het gebruik van het volledige baby-inzetstuk zolang de baby kleiner is dan 60cm of tot het te groot is voor het baby-inzetstuk. Het babyinzetstuk verbetert de bescherming tegen zijdelingse inslagen.

4. Zet het kind in het verbeterde kinderzitje en steek beide armen door de riemen.
 5. Maak de gesp vast. Raadpleeg ²¹
 6. Trek de rieminstelling omlaag en stel hem op de juiste lengte af om ervoor te zorgen dat uw kind goed vast zit. ²²
- ! Houd het kind altijd goed vast in de gordels door het wegnemen van alle vrije ruimte.
 - ! Zorg ervoor dat de ruimte tussen het kind en de schouderriemen ongeveer de dikte van een hand is.
 - ! Wanneer het zitje op de plaats wordt gedraaid en juist is gekoppeld, wordt de draaiknop groen; anders is het rood. ²³
 - ! Zorg er altijd voor dat het zitje in de vergrendelde stand staat (naar achteren kijkend / naar voren kijkend), zelfs wanneer het kind er niet in zit.

De vooruit kijkende modus gebruiken

(Lengte kind 76cm-105cm/gewicht kind ≤ 21kg/
15 maanden - ong. 4 jaar oud)

zie afbeeldingen ²⁴ - ³¹

- ! Installeer het verbeterde kinderzitje op de achterbank en plaats het kind vervolgens in het verbeterde kinderzitje.
- Druk op de draaiknop om te draaien voor eenvoudiger plaatsen/ uitnemen van het kind aan de zijkant, en draai de stoel vervolgens naar de vooruit kijkende stand. ^{24&25}
- ! Druk op de draaiknop op een van beide zijden voor het draaien van het verbeterde kinderzitje.

Het kind vastzetten

1. Voor het verlengen van de schoudergordels, drukt u op de instelknop voor de riemen terwijl u de schoudergordels eruit trekt om losser te maken. ²⁶
 2. Maak de gesp van de gordels los door op de rode knop te drukken. ²⁷
- ! Verwijder het baby-inzetstuk in de vooruit kijkende modus. ²⁸

3. Plaats de gesptongen tegen het magnetische gebied op de buitenzijde van het verbeterde kinderzitje zodat de tongen op de plaats worden gehouden.
 4. Zet het kind in het verbeterde kinderzitje en steek beide armen door de riemen.
 5. Maak de gesp vast.
 6. Trek de rieminstelling omlaag en stel hem op de juiste lengte af om ervoor te zorgen dat uw kind goed vast zit. ²⁹
 7. Druk op de draai-ontgrendelingsknop ³⁰⁻¹ terwijl u het zitje draait naar de vooruit kijkende modus. ³⁰⁻²
- ! Wanneer het zitje op de plaats wordt gedraaid en juist is gekoppeld, wordt de draaiknop groen, anders is het rood. ³⁰
 - ! Zorg er altijd voor dat het zitje in de vergrendelde stand staat (naar achteren kijkend / naar voren kijkend), zelfs wanneer het kind er niet in zit.
 - ! De ISOFIX-aansluitingen moeten worden aangesloten en vergrendeld in de ISOFIX-ankerpunten. ³¹⁻¹
 - ! De steunvoet moet goed zijn geplaatst en de indicator moet groen zijn. ³¹⁻²
 - ! Houd het kind altijd goed vast in de gordels door het wegnemen van alle vrije ruimte.
 - ! Gebruik de vooruit kijkende modus NIET tot uw kind ten minste 76cm EN 15 maanden oud is.

Zachte voorwerpen losmaken

zie afbeeldingen ³² - ⁴⁰

- Druk op de rode knop om de riem te ontgrendelen. ³²
- Volg de stappen ³³ - ⁴⁰ voor het losmaken van zachte voorwerpen. Om het zachte materiaal opnieuw te bevestigen, herhaalt u de bovenstaande stappen in omgekeerde volgorde.

Verzorging en onderhoud

- ! Berg het kussen ergens buiten het bereik van het kind op.
- ! Was de zachte onderdelen met koud water onder de 30°C.
- ! De zachte voorwerpen niet strijken.
- ! De zachte voorwerpen niet bleken of laten stomen.
- ! Gebruik geen onverdund schoonmaakmiddel benzine of andere organische materialen om het verbeterde kinderzitje of de voet te wassen. Dat kan het verbeterde kinderzitje beschadigen.
- ! De zachte onderdelen niet draaien voor drogen met veel kracht. Dit kan kreuken achterlaten in de zachte onderdelen.
- ! Laat zachte onderdelen hangend drogen in de schaduw.
- ! Haal het verbeterde kinderzitje uit de autostoel als het voor langere tijd niet wordt gebruikt.



IT Benvenuti in Joie™

Avete acquistato un dispositivo di ritenuta per bambini di alta qualità, omologato e sicuro. Questo prodotto è adatto ai bambini con altezza fino a 105 cm e peso fino a 21 kg.

Leggere attentamente il presente manuale di istruzioni e seguire i vari passaggi della relativa installazione. Questo è l'UNICO modo per proteggere il vostro bambino da lesioni gravi o mortali in caso di incidente e per garantirgli la necessaria comodità durante l'uso di questo prodotto.

Conservare questo manuale di istruzioni per riferimenti futuri.

Controllare

Per utilizzare il dispositivo avanzato di ritenuta per bambini Joie con agganci ISOFIX i-Size in conformità alla normativa Un N. 129/03, il bambino deve soddisfare i seguenti requisiti.

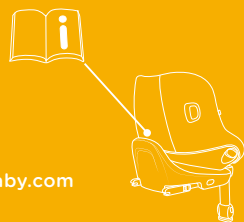
Modalità contraria al senso di marcia: Altezza del bambino 40 cm-105 cm/Peso del bambino \leq 21 kg;

Modalità in senso di marcia: Età del bambino \geq 15 m/ Altezza del bambino 76 cm-105 cm/ Peso del bambino \leq 21 kg;

Leggere tutte le istruzioni del presente manuale prima di installare e usare il prodotto.

**! IMPORTANTE: DA CONSERVARSÌ PER FUTURE CONSULTAZIONI.
LEGGERE ATTENTAMENTE.**

Conservare il manuale di istruzioni nella tasca laterale situata nella parte posteriore della seduta, come mostrato nella figura a destra.

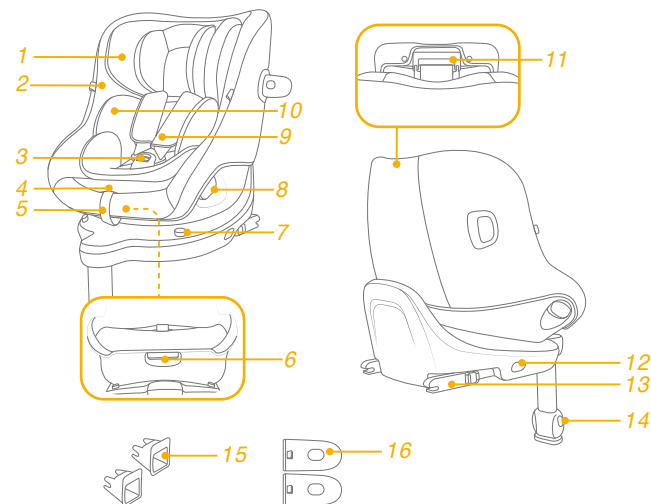


Per informazioni più dettagliate, si prega di visitare il nostro sito web all'indirizzo joiebaby.com

Elenco parti

Assicurarsi che siano presenti tutti i componenti. Se qualche componente risulta mancante, consultare il rivenditore.

- | | | | |
|---|--|----|---|
| 1 | Poggiatesta | 10 | Insero neonato |
| 2 | Imbottitura | 11 | Leva di regolazione poggiatesta |
| 3 | Fibbia | 12 | Pulsante di regolazione ISOFIX |
| 4 | Pulsante di regolazione della cintura | 13 | Aggancio ISOFIX |
| 5 | Regolatore | 14 | Pulsante di regolazione gamba di supporto |
| 6 | Pulsante di regolazione della reclinazione | 15 | Guide attacchi ISOFIX |
| 7 | Blocco rotazione | 16 | Aletta di protezione da impatto laterale |
| 8 | Pulsante di rotazione | | *Deve essere solo sul lato portiera |
| 9 | Imbottitura cintura per le spalle | | |



AVVERTENZA

- ! **PRESTARE** attenzione in modo che gli oggetti rigidi e le parti in plastica di un dispositivo avanzato di ritenuta per bambini siano posizionati e installati in modo che non rischino di rimanere incastrati in una seduta spostabile o in una portiera del veicolo durante l'uso quotidiano del veicolo.
- ! **NON** usare dispositivi avanzati di ritenuta per bambini in modalità contraria al senso di marcia nei sedili in cui è installato un airbag anteriore attivo.
- ! Per utilizzare il dispositivo avanzato di ritenuta per bambini in conformità alla normativa UN N. 129/03, il bambino deve soddisfare i seguenti requisiti.
- ! Utilizzo in senso contrario alla marcia: Altezza del bambino 40 cm-105 cm/max. 21 kg:
Utilizzo in senso di marcia: Altezza del bambino 76 cm-105 cm/max. 21 kg:
- ! **IMPORTANTE: NON UTILIZZARLO NEL SENSO DI MARCIA PRIMA CHE IL BAMBINO SUPERI I 15 MESI DI ETÀ** (fare riferimento alle istruzioni).
- ! Il dispositivo avanzato di ritenuta per bambini potrebbe non essere adatto a tutti i veicoli approvati a causa dei vani portaoggetti o dello spazio limitato sul tetto del veicolo. In caso di dubbi, contattare il proprio rivenditore o contattarci direttamente.
- ! Qualsiasi gamba di supporto deve essere a contatto con il pianale del veicolo; le cinghie che trattengono il bambino devono essere adattate al suo corpo e non devono essere attorcigliate.

AVVERTENZA

- ! Dopo aver messo il bambino nel dispositivo di ritenuta per bambini, utilizzare correttamente la cintura di sicurezza. È estremamente importante che la cinghia addominale sia indossata in basso in modo da sostenere il bacino.
- ! Il dispositivo avanzato di ritenuta per bambini deve essere sostituito se è stato sottoposto a violente sollecitazioni in caso di incidente. Un incidente può causare danni impossibili da notare.
- ! Considerare il pericolo di apportare modifiche o aggiunte al dispositivo senza approvazione dell'autorità competente, e il pericolo di non seguire attentamente le istruzioni di installazione fornite dal produttore del dispositivo avanzato di ritenuta per bambini.
- ! Tenere il dispositivo avanzato di ritenuta per bambini lontano dalla luce del sole per evitare di causare ustioni alla pelle del bambino. Toccare sempre il dispositivo avanzato di ritenuta per bambini prima di far sedere il bambino.
- ! **NON** lasciare mai il bambino incustodito nel dispositivo avanzato di ritenuta per bambini.
- ! I bagagli o altri oggetti che potrebbero causare lesioni in caso di collisione devono essere fissati adeguatamente.
- ! Il dispositivo avanzato di ritenuta per bambini **NON DEVE ESSERE UTILIZZATO** senza il rivestimento imbottito.
- ! Il rivestimento imbottito deve essere sostituito con altri consigliati dal produttore, in quanto costituiscono parte integrante delle prestazioni del dispositivo di ritenuta.

AVVERTENZA

- ! Prima di acquistare questo dispositivo avanzato di ritenuta per bambini, assicurarsi che possa essere installato correttamente nel veicolo.
- ! **NESSUN** dispositivo avanzato di ritenuta per bambini è in grado di garantire una protezione completa da lesioni in caso di incidenti. Tuttavia, l'uso corretto del dispositivo avanzato di ritenuta per bambini riduce il rischio di lesioni gravi o mortali per il bambino.
- ! **NON** installare il dispositivo avanzato di ritenuta per bambini senza osservare le istruzioni del presente manuale. Si potrebbero causare lesioni o decesso.
- ! **NON** utilizzare questo dispositivo avanzato di ritenuta per bambini se presenta danni o parti mancanti.
- ! **NON** vestire il bambino con indumenti troppo grandi, in quanto si potrebbe impedire al bambino di essere correttamente e saldamente allacciato con le cinture per le spalle e la cintura spartigambe.

Emergenza



In caso di emergenza o incidenti, è estremamente importante portare il bambino al pronto soccorso per cure mediche immediate.

Informazioni sul prodotto

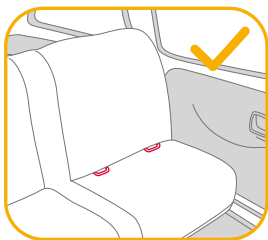
1. È un dispositivo avanzato di ritenuta per bambini i-Size. È omologato alla Normativa UN N. 129, per l'uso a bordo dei veicoli compatibili i-Size nelle posizioni di seduta indicate dal produttore nel manuale dell'utente del veicolo.
2. In caso di dubbi, consultare il produttore o il rivenditore del dispositivo avanzato di ritenuta per bambini.

Materiali	Plastica, metallo, tessuto
N. brevetto	In attesa di brevetto

Scelta dell'installazione

	Dimensioni del bambino	Modalità di installazione	Figura per l'installazione	Età di riferimento	Posizione della seduta
ECE R129	40 cm-105 cm/ ≤21 kg	Utilizzo in senso contrario alla marcia		Fino a circa 4 anni	Posizione 1-5
	76 cm-105 cm/ ≤21 kg	Utilizzo in senso di marcia		Da 15 mesi a circa 4 anni	Posizione 1-5

Dubbi sull'installazione



Utilizzo della protezione da impatto laterale

vedere le figure 1 - 2

1. Il dispositivo avanzato di ritenuta per bambini è fornito con un'aletta di protezione da impatto laterale rimovibile. Inserire l'aletta di protezione da impatto laterale sul lato più vicino alla porta. Installazione mostrata in 1.
2. Premere il pulsante di rilascio per rimuovere l'aletta di protezione da impatto laterale. 2

Regolazione dell'altezza del poggiatesta e delle bretelle

vedere le figure 3 - 6

Regolare il poggiatesta e controllare se le cinture per le spalle sono all'altezza corretta in base a 3 & 4 & 5 & 6

- ! Se utilizzato in senso contrario alla marcia, la cintura per le spalle deve essere all'altezza o appena sotto la parte superiore delle spalle del bambino. 3
- ! Se utilizzato in senso di marcia, la cintura per le spalle deve essere all'altezza o appena sopra le spalle la parte superiore delle spalle del bambino. 4

Premere la leva di regolazione del poggiatesta 5, quindi tirare verso l'alto o spingere verso il basso il poggiatesta finché non scatta in una delle 6 posizioni mostrate come 6.

Regolazione della reclinazione

vedere le figure 7 - 8

Premere il pulsante di regolazione della reclinazione per regolare il dispositivo avanzato di ritenuta per bambini nella posizione desiderata. 7 & 8.

Sono disponibili 5 posizioni di reclinazione che possono essere utilizzate in senso contrario alla marcia e in senso di marcia. 8

Installazione della base

vedere le figure 9 - 15

1. Inserire le guide dell'aggancio ISOFIX per agevolare l'installazione. **9**
2. Premere il pulsante di regolazione ISOFIX per estendere gli agganci ISOFIX. **11 -1&11 -2**
3. Assicurarsi che entrambi gli agganci ISOFIX siano saldamente fissati ai relativi punti di ancoraggio ISOFIX. Il colore degli indicatori su entrambi gli agganci ISOFIX deve essere completamente verde. **12 -1**
! Premere il pulsante di regolazione ISOFIX mentre si spinge la seduta indietro finché non viene a contatto con lo schienale del sedile del veicolo.
4. Dopo aver fissato gli agganci ISOFIX, tirare il supporto verso il basso per aprirlo sul pianale. Se l'indicatore del supporto è verde significa che è installato correttamente. **12 -2**
5. Premere il pulsante di rilascio del supporto, quindi regolare la lunghezza del supporto. **12 -3**
! Assicurarsi sempre che la gamba di supporto sia a diretto contatto con il pianale e sia in posizione bloccata anche quando il bambino non è al suo interno.

Rimozione della seduta

1. Per rimuoverla dal veicolo, premere il pulsante di regolazione ISOFIX e tirare di nuovo la base dalla seduta. Quindi, premere e rilasciare i connettori dall'aggancio ISOFIX del veicolo. **14**
2. Per evitare danni durante il trasporto, premere il pulsante di regolazione ISOFIX **15 -1** e chiudere completamente l'attacco. **15 -2**

Utilizzo in senso contrario alla marcia

(Altezza del bambino 40 cm-105 cm/Peso del bambino \leq 21 kg/Neonato - 4 anni)

vedere le figure 16 - 23

! Montare prima il dispositivo avanzato di ritenuta per bambini sul sedile posteriore della vettura e posizionare poi il bambino sul dispositivo avanzato di ritenuta per bambini.

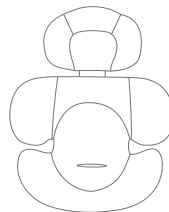
Premere il pulsante di rotazione per ruotare al fine di sistemare/togliere lateralmente il bambino in modo più semplice, quindi ruotare la seduta nella posizione contraria al senso di marcia. **16&17**

! Premere il pulsante di rotazione su uno dei lati per ruotare il dispositivo avanzato di ritenuta per bambini.

Messa in sicurezza del bambino

1. Per allungare le cinture di sicurezza per le spalle, premere il pulsante di regolazione delle cinture mentre si estraggono le cinture per le spalle per allentarle. **18**
2. Sganciare la fibbia della cintura premendo il pulsante rosso. **19**
3. Fissare le fibbie su entrambi i lati della seduta come mostrato in **20** per agevolare il posizionamento del bambino in modalità contraria al senso di marcia.

Utilizzo del cuscino per neonati



Si consiglia di utilizzare l'inserto per neonati completo finché il bambino non raggiunge i 60 cm o non l'inserto in modo che il cuscino diventi troppo grande per l'inserto per neonati. Il cuscino per neonati aumenta la protezione dagli impatti laterali.

4. Mettere il bambino sul dispositivo avanzato di ritenuta per bambini e infilare le braccia nelle cinture.
 5. Agganciare la fibbia. Fare riferimento a ²¹
 6. Tirare verso il basso il regolatore e regolarlo alla lunghezza adeguata per assicurarsi che sia perfettamente fissato. ²²
- ! Mantenere sempre il bambino protetto con la cintura e stretto correttamente rimuovendo eventuali allentamenti.
 - ! Assicurarsi che lo spazio tra il bambino e le bretelle sia di circa lo spessore di una mano.
 - ! Quando la seduta viene ruotata in posizione e correttamente agganciata, il pulsante di rotazione diventa verde; altrimenti è rosso. ²³
 - ! Assicurarsi sempre che la seduta sia in posizione bloccata (posizione contraria al senso di marcia / in senso di marcia) anche quando il bambino non è al suo interno.

Utilizzo in senso di marcia

(Altezza del bambino 76 cm- 105 cm/Peso del bambino ≤21 kg/15 mesi - circa 4 anni)

vedere le figure ²⁴ - ³¹

- ! Montare prima il dispositivo avanzato di ritenuta per bambini sul sedile posteriore della vettura e riporre poi il bambino nel dispositivo avanzato di ritenuta per bambini.

Premere il pulsante di rotazione per ruotare al fine di sistemare/togliere lateralmente il bambino in modo più semplice, quindi ruotare la seduta fino alla posizione in senso di marcia. ²⁴&²⁵

- ! Premere il pulsante di rotazione su uno dei lati per ruotare il dispositivo avanzato di ritenuta per bambini.

Messa in sicurezza del bambino

1. Per allungare le cinture di sicurezza per le spalle, premere il pulsante di regolazione delle cinture mentre si estraggono le cinture per le spalle per allentarle. ²⁶
 2. Sganciare la fibbia delle bretelle premendo il pulsante rosso. ²⁷
- ! Rimuovere l'inserito per neonati in modalità in senso di marcia. ²⁸

3. Posizionare gli agganci della fibbia contro l'area magnetica sul lato esterno del dispositivo avanzato di ritenuta per bambini in modo che gli agganci siano tenuti in posizione.
 4. Mettere il bambino nel dispositivo avanzato di ritenuta per bambini e infilare le braccia nelle cinture.
 5. Agganciare la fibbia.
 6. Tirare verso il basso il regolatore e regolarlo alla lunghezza adeguata per assicurarsi che sia perfettamente fissato. ²⁹
 7. Premere il pulsante di blocco della rotazione ³⁰-1 mentre si ruota la seduta in senso di marcia. ³⁰-2
- ! Quando la seduta viene ruotata in posizione e correttamente agganciata, il pulsante di rotazione diventa verde; altrimenti è rosso. ³⁰
 - ! Assicurarsi sempre che la seduta sia in posizione bloccata (posizione in senso contrario alla marcia / in senso di marcia) anche quando il bambino non è al suo interno.
 - ! Gli agganci ISOFIX devono essere fissati e bloccati sui punti di ancoraggio ISOFIX. ³¹-1
 - ! La gamba di supporto deve essere installata correttamente con l'indicatore verde. ³¹-2
 - ! Mantenere sempre il bambino protetto con la cintura e stretto correttamente rimuovendo eventuali allentamenti.
 - ! NON utilizzare la modalità in senso di marcia finché il bambino non abbia 76 cm di altezza E 15 mesi di età.

Rimozione del rivestimento imbottito

vedere le figure ³² - ⁴⁰

Premere il pulsante rosso per sganciare la fibbia. ³²

Seguire i passi ³³ - ⁴⁰ per rimuovere il rivestimento imbottito.

Per inserire di nuovo il rivestimento imbottito, ripetere le procedure di cui sopra in ordine inverso.

Cura e manutenzione

- ! Conservare l'imbottitura lontano dalla portata dei bambini.
- ! Lavare il rivestimento imbottito con acqua fredda sotto i 30°C.
- ! Non stirare il rivestimento imbottito.
- ! Non candeggiare e non lavare a secco il rivestimento imbottito.
- ! Non usare un detergente non diluito benzina o altri solventi organici per lavare il dispositivo avanzato di ritenuta per bambini o la base. Potrebbero danneggiare il dispositivo avanzato di ritenuta per bambini.
- ! Non attorcigliare il rivestimento imbottito per asciugare con grande forza. Si potrebbero lasciare grinze sul rivestimento imbottito.
- ! Appendere il rivestimento imbottito all'ombra per asciugare.
- ! Rimuovere il dispositivo avanzato di ritenuta per bambini dal sedile del veicolo se non viene usato per un lungo periodo di tempo.



ES Bienvenido a Joie™

Ha adquirido un Sistema de Retención Infantil de alta calidad, seguro y totalmente certificado. Este producto es adecuado para usarse con niños con una altura y peso de hasta 105 cm y 21 kg, respectivamente.

Lea detenidamente este manual de instrucciones y siga los pasos de instalación, ya que es la ÚNICA forma de proteger a su hijo contra lesiones graves o, incluso la muerte, en caso de accidente y de garantizar que su bebé viaje cómodamente cuando esté utilizando este producto.

Conserve este manual de instrucciones para futuras consultas.

Por favor, confirme lo siguiente:

Para utilizar este Sistema de Retención Infantil de Joie con las conexiones ISOFIX de i-Size de acuerdo con el reglamento n.º 129/03 de la ONU, el niño deberá cumplir los siguientes requisitos.

Orientación a contramarcha: Altura del niño: 40 cm-105 cm/Peso del niño: ≤ 21 kg;

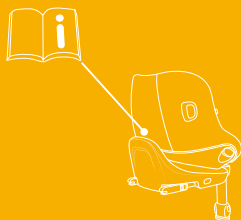
Orientación a favor de la marcha: Edad del niño ≥ 15 meses/Altura del niño: 76 cm-105 cm/Peso del niño ≤ 21 kg;

Lea todas las instrucciones incluidas en este manual antes de instalar y utilizar el producto.

! IMPORTANTE: GUARDE ESTE MANUAL PARA FUTURAS CONSULTAS. LEA DETENIDAMENTE.

Guarde el manual de instrucciones en el compartimento de almacenamiento de la parte posterior del asiento como se muestra en la figura que aparece a la derecha.

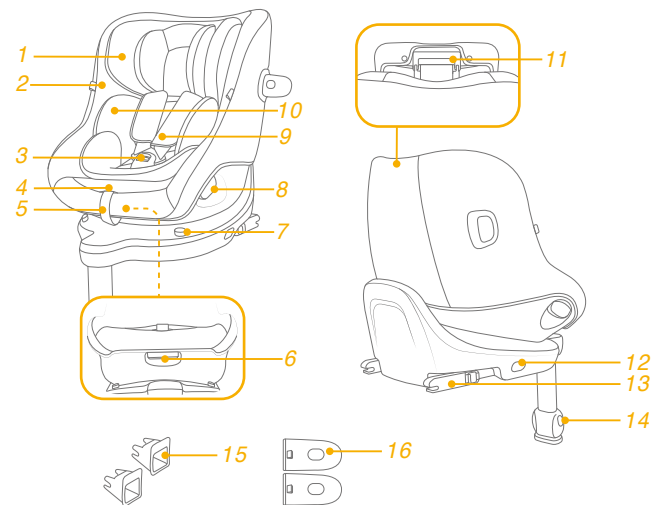
Para obtener información sobre la garantía, visite nuestro sitio web en joiebaby.com.



Lista de piezas

Asegúrese de que no falta ninguna pieza. Póngase en contacto con su distribuidor si falta alguna pieza.

- | | |
|--|--|
| 1 Reposacabezas | 10 Accesorio |
| 2 Acolchado de la silla | 11 Palanca de ajuste del reposacabezas |
| 3 Hebilla | 12 Botón ajustador ISOFIX |
| 4 Botón de ajuste del arnés | 13 Conector ISOFIX |
| 5 Cincha de ajuste | 14 Botón de ajuste de la pata de apoyo |
| 6 Botón de ajuste de la inclinación | 15 Guías de accesorios ISOFIX |
| 7 Bloqueo giratorio | 16 Protección contra impactos laterales |
| 8 Botón de giro | <small>*debe usarse solo en el lado de la puerta</small> |
| 9 Protectores del arnés de los hombros | |



ADVERTENCIA

- ! TENGA en cuenta que los elementos rígidos y las piezas de plástico de un Sistema de Retención Infantil se coloquen e instalen de manera que no puedan quedar atrapados por un asiento móvil o en una puerta del vehículo durante el uso diario de este.
- ! NO use los Sistemas de Retención Infantil con orientación a contramarcha en asientos donde haya un airbag frontal activo instalado.
- ! Para utilizar este Sistema de Retención Infantil de acuerdo con la norma n.º 129/03 de la ONU, el niño deberá cumplir los siguientes requisitos:
 - ! Modo orientado a contramarcha: Altura del niño: 40 cm-105 cm/21 kg máximo;
 - ! Modo orientado a favor de la marcha: Altura del niño: 76 cm-105 cm/21 kg máximo;
- ! **IMPORTANTE - NO UTILIZAR ORIENTADO A FAVOR DE LA MARCHA ANTES DE LOS 15 MESES** (consulte las instrucciones).
- ! Es posible que el Sistema de Retención Infantil no quepa en todos los vehículos aprobados debido a los compartimentos de almacenamiento o al espacio limitado en el techo del vehículo. En caso de duda, póngase en contacto con su distribuidor o con nosotros.
- ! La pata de apoyo debe estar en contacto con el suelo del vehículo, todas las correas que sujetan al niño deben ajustarse al cuerpo de este y dichas correas no deben retorcerse.

ADVERTENCIA

- ! Una vez colocado el niño en el Sistema de Retención Infantil, el cinturón de seguridad se deberá utilizar correctamente. Asegúrese de que ninguna correa de seguridad quede demasiado baja, de forma que la pelvis quede firmemente sujeta.
- ! Este Sistema de Retención Infantil se debe reemplazar si ha estado sometido a tensiones violentas en un accidente. Un accidente puede causar daños no visibles en dichos elementos.
- ! Considere el peligro de realizar alteraciones o modificaciones al dispositivo sin la aprobación de la autoridad adecuada y el peligro de no seguir estrictamente las instrucciones de instalación facilitadas por el fabricante del Sistema de Retención Infantil.
- ! Mantenga el Sistema de Retención Infantil alejado de la luz directa del sol ya que, si no lo hace, podría alcanzar temperaturas demasiado altas para la piel de su hijo. Toque siempre el Sistema de Retención Infantil antes de colocar al niño en él.
- ! NO deje a su hijo sin supervisión en este Sistema de Retención Infantil.
- ! Sujete correctamente el equipaje y cualquier otro objeto susceptible de provocar lesiones en caso de colisión.
- ! **NO UTILICE** el Sistema de Retención Infantil sin el tejido.
- ! El acolchado no deberá sustituirse por uno que no esté recomendado por el fabricante, ya que el acolchado constituye una parte esencial del funcionamiento del Sistema de Retención Infantil.

ADVERTENCIA

- ! Compruebe si el Sistema de Retención Infantil se puede instalar correctamente en el vehículo antes de comprarlo.
- ! NINGÚN Sistema de Retención Infantil puede garantizar una protección total contra lesiones en caso de accidente. Sin embargo, un uso adecuado de este Sistema de Retención Infantil reducirá el riesgo de lesiones graves o, incluso, de muerte del niño.
- ! NO instale este Sistema de Retención Infantil sin seguir las instrucciones que se indican en este manual ya que, si las incumple, podría poner a su hijo en peligro de sufrir lesiones o, incluso, la muerte.
- ! NO utilice este Sistema de Retención Infantil si está dañado o si falta alguna de sus piezas.
- ! NO coloque a su hijo con ropa suelta o de una talla mayor, ya que podría provocar que la sujeción del niño, mediante las correas de los arneses de los hombros y la correa de la pelvis entre las piernas, no sea firme y segura.

Emergencia



En caso de emergencia o accidente, es muy importante que su hijo reciba primeros auxilios y tratamiento médico de inmediato.

Información del producto

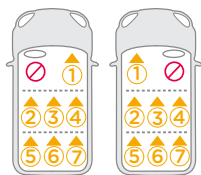
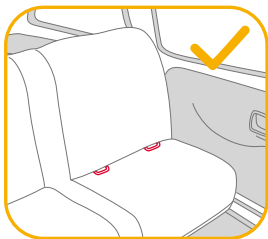
1. Este es un Sistema de Retención Infantil i-Size. Está aprobado conforme a la Norma n.º 129 de la ONU, para el uso en vehículos compatibles con i-Size, tal y como indican los fabricantes de vehículos en los manuales de usuario del vehículo.
2. En caso de duda, consulte al fabricante o al distribuidor del Sistema de Retención Infantil.

Materiales	Plásticos, metal, telas
N.º de patente	Pendiente de patentes

Elegir la instalación

	Tamaño del niño	Modo de instalación	Figura de la instalación	Edad de referencia	Posición de la silla
ECE R129	40 cm-105 cm/ ≤21 kg	Orientación a contramarcha		Aprox. 4 años	Posición 1-5
	76 cm-105 cm/ ≤21 kg	Posición a favor de la marcha		De 15 meses a 4 años aprox.	Posición 1-5

Consideraciones acerca de la instalación



Usar la protección contra impactos laterales

consulte las imágenes 1 - 2

1. Sistema de Retención Infantil se entrega con una protección contra impactos laterales extraíble. Inserte la funda contra impactos laterales en el lado más cercano a la puerta. Instalación mostrada en 1.
2. Presione el botón de liberación para quitar la protección contra impactos laterales. 2

Ajuste de la altura de los arneses de los hombros y del reposacabezas

consulte las imágenes 3 - 6

Ajuste el reposacabezas y compruebe si la altura de los arneses de los hombros es la correcta, tal y como se indica en la figura 3, 4, 5 y 6.

! Cuando se utilice en el modo a contramarcha, los arneses de los hombros deberán estar a la altura de los hombros del niño o por debajo. 3

! Cuando se utilice en el modo orientado a favor de la marcha, los arneses de los hombros deberán estar a la altura de los hombros del niño o por encima. 4

Presione la palanca de ajuste del reposacabezas 5 y empuje hacia arriba o hacia abajo el reposacabezas hasta que quede fijado en una de las 6 posiciones, como se muestra en 6.

Ajuste de la reclinación

consulte las imágenes 7 - 8

Presione el botón de ajuste de la reclinación para ajustar el Sistema de Retención Infantil en la posición deseada. 7 y 8.

Hay 5 posiciones de reclinación que se pueden usar para el modo de orientación a contramarcha y el modo de orientación a favor de la marcha. 8

Instalación de la base

consulte las imágenes 9 - 15

1. Inserte guías ISOFIX para facilitar la instalación. 9
 2. Pulse el botón ajustador ISOFIX para extender los conectores ISOFIX. 11 -1 y 11 -2
 3. Asegúrese de que ambos conectores ISOFIX queden firmemente sujetos a sus puntos de anclaje ISOFIX. Los colores de los indicadores de ambos conectores ISOFIX deberán aparecer completamente en verde. 12 -1
- ! Presione nuevamente los botones de ajuste ISOFIX mientras empuja el respaldo de la silla hasta que entre en contacto con el respaldo del asiento del vehículo.
4. Después de acoplar el sistema ISOFIX, tire de la pata de apoyo hacia abajo hasta el suelo. Cuando el indicador de la pata de apoyo se muestre en verde, significará que esta se ha instalado correctamente. 12 -2
 5. Apriete el botón de desbloqueo de la pata de apoyo y, a continuación, ajuste la longitud de dicha pata. 12 -3
- ! Asegúrese siempre de que la pata de apoyo tenga contacto directo con el suelo y se encuentre en la posición bloqueada incluso cuando el niño no esté en ella.

Retirar el asiento

1. Para retirar el producto del vehículo, presione el botón de ajuste ISOFIX y tire de la base hacia atrás desde la silla. A continuación, presione y suelte los conectores del sistema ISOFIX del vehículo. 14
2. Para evitar daños durante el tránsito, presione el botón de ajuste ISOFIX 15 -1 y doble el conector completamente. 15 -2

Usar el modo orientado hacia atrás

(Altura del niño: 40-105 cm/Peso del niño \leq 21 kg/
bebé - 4 años)

consulte las imágenes 16 - 23

! Instale el Sistema de Retención Infantil en el asiento trasero del vehículo y, a continuación, coloque al niño en dicho asiento.

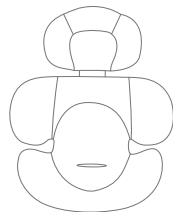
Pulse el botón de giro para girar y facilitar la carga y descarga lateral del niño y, a continuación, gire el asiento hacia la posición orientada a contramarcha. 16 y 17

! Presione el botón de giro de cada lado para girar el Sistema de Retención Infantil.

Asegurar al niño

1. Para alargar los cinturones del arnés para hombros, presione el botón de ajuste del arnés mientras saca los arneses para hombros para aflojarlos. 16
2. Desabroche el arnés pulsando el botón rojo. 19
3. Enganche las hebillas a ambos lados del asiento como se muestra en la imagen 20, que se encuentra en ambos lados del asiento para que sea más cómodo colocar al bebé orientado a contramarcha.

Uso del reductor para bebés



Le recomendamos que utilice reductor para bebés completo cuando el bebé mida menos de 60 cm de altura; se puede usar hasta que se le quede pequeño. El reductor para bebés aumenta la protección contra impactos laterales.

- Coloque al niño en el Sistema de Retención Infantil y pase ambos brazos por los arneses.
 - Enganche la hebilla. Consulte la [21](#).
 - Empuje hacia abajo la cincha de ajuste y ajústela de forma que la longitud sea la adecuada para garantizar que su hijo quede sujeto correctamente. [22](#)
- ! Mantenga siempre al niño asegurado en el arnés y bien sujeto sin que haya holguras.
 - ! Asegúrese de que el espacio entre el niño y las correas de los arneses de los hombros sea el del grosor de una mano más o menos.
 - ! Cuando el asiento se gire en su lugar y se enganche correctamente, el botón de rotación se mostrará en verde; de lo contrario, se mostrará en rojo. [23](#)
 - ! Asegúrese siempre de que el asiento esté en la posición de bloqueo (orientación a contramarcha o a favor de la marcha), incluso cuando el niño no esté en él.

Usar el modo con orientación hacia adelante

(Altura del niño: 76-105 cm/Peso del niño ≤ 21 kg/ 15 meses - 4 años).

consulte las imágenes [24](#) - [31](#)

- ! Instale el Sistema de Retención Infantil en el asiento trasero del vehículo y, a continuación, coloque al niño en dicho asiento.
- Pulse el botón de giro para girar y facilitar la carga y descarga lateral del niño y, a continuación, gire el asiento hacia la posición orientada a favor de la marcha. [24](#) y [25](#)
- ! Presione el botón de giro de cada lado para girar el Sistema de Retención Infantil.

Asegurar al niño

- Para alargar los cinturones del arnés para hombros, presione el botón de ajuste del arnés mientras saca los arneses para hombros para aflojarlos. [26](#)
 - Desbloquee la hebilla de los arneses presionando el botón rojo. [27](#)
- ! Retire el reductor de bebés cuando el producto se utilice orientado a favor de la marcha. [28](#)

- Coloque las lengüetas de la hebilla contra el área magnética del lado exterior del Sistema de Retención Infantil para que dichas lengüetas se mantengan en su lugar.
 - Coloque al niño en el Sistema de Retención Infantil y pase ambos brazos por los arneses.
 - Enganche la hebilla.
 - Empuje hacia abajo la cincha de ajuste y ajústela de forma que la longitud sea la adecuada para garantizar que su hijo quede sujeto correctamente. [29](#)
 - Presione el botón de bloqueo de giro [30-1](#) mientras gira el asiento al modo de orientación a favor de la marcha. [30-2](#)
- ! Cuando el asiento se gire en su lugar y se enganche correctamente, el botón de rotación se mostrará en verde; de lo contrario, se mostrará en rojo. [30](#)
 - ! Asegúrese siempre de que el asiento esté en la posición de bloqueo (orientación a contramarcha o a favor de la marcha), incluso cuando el niño no esté en él.
 - ! Los conectores ISOFIX se deben fijar y bloquear en los puntos de anclaje ISOFIX. [31-1](#)
 - ! La pata de apoyo debe estar correctamente instalada con el indicador en verde. [31-2](#)
 - ! Mantenga siempre al niño asegurado en el arnés y bien sujeto sin que haya holguras.
 - ! NO use el modo de orientación a favor de la marcha hasta que la altura del niño sea al menos 76 cm Y 15 meses de edad.

Desmontaje de los materiales mullidos

consulte las imágenes [32](#) - [40](#)

Presione el botón rojo para soltar la hebilla. [32](#)

Siga los pasos [33](#) - [40](#) para desmontar los tejidos.

Para volver a montar el acolchado, repita los pasos anteriores en orden inverso.

Cuidados y mantenimiento

- ! Guarde el acolchado en algún lugar fuera del alcance del niño.
- ! Lave el acolchado con agua fría por debajo de los 30 °C.
- ! No planche el acolchado.
- ! No limpie en seco ni utilice lejía para lavar el acolchado.
- ! No utilice detergentes sin diluir, gasolina u otros disolventes orgánicos para limpiar el Sistema de Retención Infantil ni la base. Si lo hace, puede dañar el Sistema de Retención Infantil.
- ! No retuerza con demasiada fuerza el acolchado cuando lo seque. Podrían quedar arrugas en el acolchado.
- ! Deje secar el acolchado en un lugar alejado de la luz directa del sol.
- ! Retire este Sistema de Retención Infantil del asiento del vehículo cuando no vaya a utilizarlo durante un periodo prolongado de tiempo.



PT Bem-vindo à Joie™

Adquiriu um dispositivo de retenção para crianças de alta qualidade e totalmente certificado. Este produto pode ser utilizado por crianças com altura entre 105 cm e 21kg.

Leia atentamente este manual de instruções e siga os passos de instalação porque esta é a ÚNICA forma de proteger a criança de lesões graves ou morte em caso de acidente e garantir uma utilização confortável deste produto para a criança.

Guarde este manual de instruções para referência futura.

Confirme

Para utilizar este dispositivo avançado de retenção com ligações ISOFIX i-Size de acordo com o Regulamento UN N.º 129/03, a criança deve cumprir os seguintes requisitos.

Virado para a retaguarda: Altura da criança 40 cm-105 cm/Peso da criança ≤21kg; virado para a frente: Idade da criança ≥ 15 m/ Altura da criança 76 cm-105 cm/ Peso da criança ≤ 21 kg;

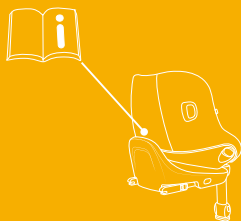
Leia todas as instruções deste manual antes de utilizar o produto.

! IMPORTANTE: GUARDAR PARA CONSULTA FUTURA.

LEIA ATENTAMENTE.

Guarde o manual de instruções no compartimento de armazenamento na traseira do banco, como indicado na figura à direita.

Para informações sobre a garantia, visite o nosso Web site em joiebaby.com

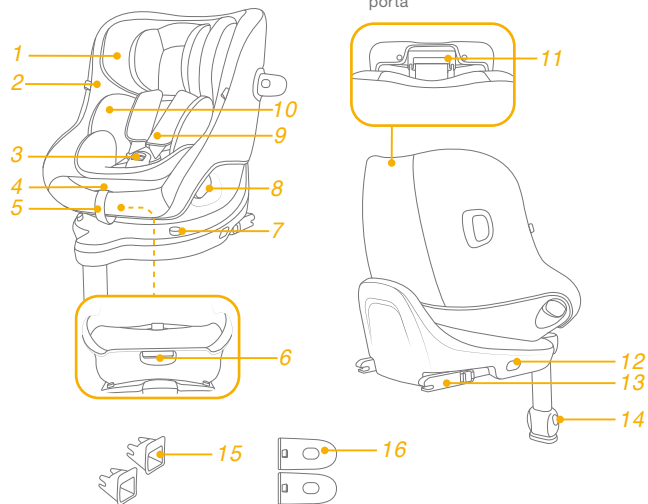


Lista de componentes

Certifique-se de que não existem peças em falta. Se faltar alguma peça, contacte o revendedor.

- | | |
|--------------------------------|--|
| 1 Apoio de cabeça | 10 Redutor |
| 2 Capa de tecido acolchoado | 11 Alavanca de ajuste do apoio de cabeça |
| 3 Fivela | 12 Botão de ajuste ISOFIX |
| 4 Botão de ajuste das alças | 13 Conector ISOFIX |
| 5 Tira de ajuste | 14 Botão de ajuste da perna de carga |
| 6 Botão de ajuste de reclinção | 15 Guias de encaixes ISOFIX |
| 7 Bloqueio de rotação | 16 Proteção contra impactos laterais |
| 8 Botão de rotação | |
| 9 Capas das alças | |

*deve ser utilizado apenas no lado da porta



AVISO

- ! SEJA informado do facto de as peças rígidas e plásticas do dispositivo avançado de retenção para crianças deverem estar localizadas e instaladas de forma a não ficarem presas num assento móvel ou numa porta do veículo durante a utilização diária do mesmo.
- ! NÃO utilize dispositivos de retenção para crianças virados para a retaguarda em lugares sentados onde esteja instalado um airbag frontal ativo.
- ! Para utilizar este dispositivo avançado de retenção para crianças de acordo com a Regulamentação UN N.º 129/03, a criança deve cumprir os seguintes requisitos.
- ! Modo virado para a retaguarda: Altura da criança 40 cm-105 cm/máx. 21 kg;
Modo virado para a frente: Altura da criança 76 cm-105 cm/máx. 21 kg;
- ! **IMPORTANTE - NÃO UTILIZE O DISPOSITIVO VIRADO PARA A FRENTE SE A CRIANÇA TIVER UMA IDADE INFERIOR A 15 MESES (Consulte as instruções).**
- ! O sistema avançado de retenção para crianças poderá não caber em todos os veículos aprovados devido aos compartimentos de armazenamento ou ao espaço limitado até ao teto do veículo. Em caso de dúvida, contacte o seu revendedor ou entre em contacto connosco
- ! As pernas de apoio devem estar em contacto com o piso do veículo, as correias de retenção devem estar ajustadas ao corpo da criança e não devem estar torcidas.

AVISO

- ! Após a colocação da criança no dispositivo avançado de retenção, o cinto de segurança deve ser utilizado corretamente. Certifique-se de que a correia subabdominal está o mais baixo possível para que a cintura esteja bem segura.
- ! Este dispositivo avançado de retenção para crianças deve ser substituído caso tenha sido sujeito a esforços violentos num acidente. Um acidente pode causar danos não visíveis.
- ! Não devem ser efetuadas alterações ou adições ao dispositivo sem a aprovação de uma autoridade competente e devem ser seguidas as instruções de instalação fornecidas pelo fabricante do dispositivo avançado de retenção para crianças.
- ! Mantenha este dispositivo avançado de retenção para crianças afastado de luz solar direta, caso contrário, este poderá atingir temperaturas demasiado elevadas para a pele da criança. Toque sempre no dispositivo avançado de retenção para crianças antes de colocar a criança.
- ! NÃO deixe a criança sem supervisão no sistema avançado de retenção para crianças.
- ! Todas as bagagens ou outros objetos que possam causar ferimentos em caso de colisão, devem estar corretamente fixos.
- ! O sistema avançado de retenção para crianças **NÃO DEVE SER UTILIZADO** sem a capa de tecido acolchoado.
- ! A capa de tecido acolchoado não deve ser substituída por qualquer outra que não seja recomendada pelo fabricante, pois é parte integrante do sistema de retenção.

AVISO

- ! Verifique se este dispositivo avançado de retenção para crianças pode ser instalado corretamente no seu veículo antes de o adquirir.
- ! NENHUM sistema avançado de retenção para crianças pode garantir uma proteção total contra ferimentos num acidente. Contudo, a utilização apropriada deste dispositivo avançado de retenção para crianças reduzirá o risco de lesões graves ou morte da criança.
- ! NÃO instale este dispositivo avançado de retenção para crianças sem seguir as instruções deste manual, pois poderá sujeitar a criança a riscos ferimentos ou morte.
- ! NÃO utilize este dispositivo avançado de retenção para crianças se o mesmo estiver danificado ou existirem peças em falta.
- ! NÃO coloque a criança com roupa larga/grande, pois poderá impedir que as alças e a correia das virilhas apertem firmemente a criança.

Emergência



Em caso de emergência ou acidente, é muito importante que a criança receba imediatamente primeiros socorros e tratamento médico.

Informações sobre o produto

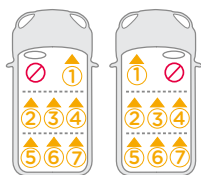
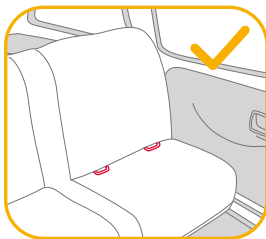
1. Este é um sistema avançado i-Size de retenção para crianças. Está aprovado ao abrigo da Regulamentação UN N.º 129 para utilização em veículos com lugares sentados compatíveis com "i-Size", como indicado no manual do utilizador do fabricante do veículo.
2. Em caso de dúvida, consulte o fabricante ou o revendedor do sistema avançado de retenção para crianças.

Materiais	Plástico, metal, tecido
N.º de patente	Patente pendente

Escolha a sua instalação

	Tamanho da criança	Modo de instalação	Figura para instalação	Idade de referência	Posição de utilização
ECE R129	40cm-105cm/ ≤21kg	Virado para a retaguarda		Aprox. 4 anos	Posição 1-5
	76cm-105cm/ ≤21kg	Virado para a frente		15 meses a aprox. 4 anos	Posição 1-5

Cuidados na instalação



Utilizar a proteção contra impactos laterais

ver imagens 1 - 2

1. O dispositivo avançado de retenção para crianças é fornecido com um módulo de proteção contra impactos laterais. Encaixe o módulo de proteção contra impactos laterais no lado mais próximo da porta. Instalação apresentada em 1.
2. Pressione o botão de libertação para remover a proteção contra impactos laterais. 2

Ajuste da altura para o apoio de cabeça e alças

ver imagens 3 - 6

Ajuste o apoio de cabeça e verifique se as alças se encontram à altura correta de acordo com as figuras 3 e 4 e 5 e 6

! Quando o dispositivo for utilizado no modo virado para a retaguarda, as alças deverão estar colocadas ao nível ou ligeiramente abaixo dos ombros da criança. 3

! Quando o dispositivo for utilizado no modo virado para a frente, as alças deverão estar colocadas ao nível ou ligeiramente acima dos ombros da criança. 4

Pressione a alavanca de ajuste do apoio de cabeça 5 e ajuste o apoio de cabeça para cima ou para baixo até que este encaixe numa das 6 posições, como ilustrado em 6.

Ajuste da reclinção

ver imagens 7 - 8

Pressione o botão de ajuste da reclinção para ajustar o dispositivo avançado de retenção para crianças para a posição desejada. 7 e 8.

Podem ser utilizadas 5 posições de reclinção nos modos virado para a retaguarda e virado para a frente. 8

Instalação da base

ver imagens 9 - 15

1. Insira os guias ISOFIX para ajudar na instalação. 9
 2. Pressione o botão de ajuste ISOFIX para abrir o conector ISOFIX. 11 -1 e 11 -2
 3. Certifique-se de que ambos os conectores ISOFIX estão corretamente encaixados nos pontos de fixação ISOFIX. A cor dos indicadores de ambos os conectores ISOFIX deverá ser completamente verde. 12 -1
- ! Pressione novamente os botões de ajuste ISOFIX enquanto empurra as costas da cadeira até entrar em contacto com o encosto do banco do veículo.
4. Depois de encaixar o conector ISOFIX, estique a perna de carga até ao piso do veículo. Quando o indicador da perna de carga apresentar a cor verde, significa que a perna de carga está corretamente instalada. 12 -2
 5. Aperte o botão de desbloqueio da perna de carga e, em seguida, ajuste o comprimento da perna de carga. 12 -3
- ! Certifique-se sempre de que a perna de apoio está em contacto direto com o piso e está na posição bloqueada mesmo que a criança não esteja a utilizar o dispositivo.

Remover a cadeira

1. Para remover do veículo pressione o botão de ajuste ISOFIX e afaste a base do assento. Em seguida, pressione e liberte os conectores do sistema ISOFIX do veículo. 14
2. Para evitar danos durante o transporte, pressione o botão de ajuste ISOFIX 15 -1 e dobre totalmente o conector. 15 -2

Utilização no modo virado para a retaguarda

(Altura da criança 40 cm-105 cm/Peso da criança ≤ 21 kg/bebé - 4 anos)

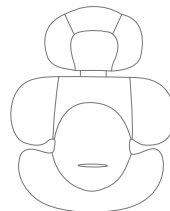
ver imagens 16 - 23

- ! Instale o dispositivo avançado de retenção para crianças no assento traseiro do veículo e, em seguida, coloque a criança no dispositivo. Pressione o botão de rotação para rodar e colocar/retirar a criança lateralmente de forma fácil e, em seguida rode a cadeira para a posição virada para a retaguarda. 16 e 17
- ! Pressione o botão de rotação num dos lados para rodar o dispositivo avançado de retenção.

Colocar e prender a criança

1. Para esticar as alças, pressione o botão de ajuste das alças, enquanto puxa as alças para soltar. 18
2. Abra a fivela pressionando o botão vermelho. 19
3. Fixe as fivelas em ambos os lados da cadeira como ilustrado na figura 20 para facilitar a colocação da criança virada para a retaguarda.

Utilizar o redutor para bebé



Recomendamos que utilize o redutor completo se o bebé tiver menos de 60 cm de altura ou até que o redutor esteja pequeno para o tamanho do bebé. O redutor aumenta a proteção contra impactos laterais.

4. Coloque a criança no dispositivo avançado de retenção para crianças e passe ambos os braços pelas correias.
 5. Encaixe a fivela. Consulte 21
 6. Puxe a cinta de ajuste para baixo e ajuste-a para o comprimento adequado para garantir que a criança está segura. 22
- ! Mantenha a criança segura com as correias e devidamente apertada eliminando quaisquer folgas.
 - ! Certifique-se de que o espaço entre a criança e as alças é aproximadamente da espessura de uma mão.
 - ! Depois de rodar a cadeira para o lugar certo e de a encaixar corretamente, o botão de rotação exibirá a cor verde; caso contrário, exibirá a cor vermelha. 23
 - ! Certifique-se sempre de que a cadeira está na posição bloqueada (virada para a retaguarda/virada para a frente) mesmo quando a criança não estiver a utilizá-la.

Utilização no modo virado para a frente

(Altura da criança 76 cm-105 cm/Peso da criança ≤ 21 kg/ 15 meses - aproximadamente 4 anos)

ver imagens 24 - 31

- ! Instale o dispositivo avançado de retenção para crianças no assento traseiro do veículo e, em seguida, coloque a criança no dispositivo.

Pressione o botão de rotação para rodar e colocar/retirar a criança lateralmente de forma fácil e, em seguida rode a cadeira para a posição virada para a frente. 24e25

- ! Pressione o botão de rotação num dos lados para rodar o dispositivo avançado de retenção.

Colocar e prender a criança

1. Para esticar as alças, pressione o botão de ajuste das alças, enquanto puxa as alças para soltar. 26
 2. Abra a fivela pressionando o botão vermelho. 27
- ! Remova o redutor quando no modo virado para a frente. 28

3. Encoste as linguetas do cinto contra a área magnética no lado exterior do dispositivo avançado de retenção para crianças para que as linguetas fiquem fixas no lugar.
 4. Coloque a criança no dispositivo avançado de retenção para crianças e passe ambos os braços pelas correias.
 5. Encaixe a fivela.
 6. Puxe a cinta de ajuste para baixo e ajuste-a para o comprimento adequado para garantir que a criança está segura. 29
 7. Pressione o botão de bloqueio de rotação 30-1 enquanto roda a cadeira para o modo virado para a frente. 30-2
- ! Depois de rodar a cadeira para o lugar certo e de a encaixar corretamente, o botão de rotação exibirá a cor verde; caso contrário, exibirá a cor vermelha. 30
 - ! Certifique-se sempre de que a cadeira está na posição bloqueada (virada para a retaguarda/virada para a frente) mesmo quando a criança não estiver a utilizá-la.
 - ! Os conectores ISOFIX devem estar encaixados e bloqueados nos pontos de fixação ISOFIX. 31-1
 - ! A perna de apoio deve estar corretamente instalada com o indicador em cor verde. 31 -2
 - ! Mantenha a criança segura com as correias e devidamente apertada eliminando quaisquer folgas.
 - ! NÃO utilize o modo virado para a frente se a criança não tiver pelo menos 76 cm de altura E 15 meses de idade.

Retirar a capa de tecido

ver imagens 32 - 40

Pressione o botão vermelho para abrir a fivela. 32

Siga os passos 33 - 40 para retirar a capa de tecido.

Para voltar a colocar a capa de tecido, repita os passos indicados acima na ordem inversa.

Cuidado e manutenção

- ! Guarde a capa afastada do alcance de crianças.
- ! Lave a capa de tecido acolchoado com água fria a uma temperatura inferior a 30 °C.
- ! Não engome a capa de tecido.
- ! Não utilize lixívia nem lavar a seco a capa de tecido.
- ! Não utilize detergentes não diluídos gasolina ou outros solventes orgânicos para lavar o dispositivo avançado de retenção para crianças ou a base. Poderá danificar o dispositivo avançado de retenção.
- ! Não torça as capas de tecido acolchoado para as secar rapidamente. Poderá enrugur as capas de tecido acolchoado.
- ! Deixe secar as capas de tecido acolchoado num local à sombra.
- ! Retire o dispositivo avançado de retenção para crianças do veículo se não pretende utilizá-lo durante um longo período.



PL Witamy w Joie™

Właśnie zakupiłeś wysokiej jakości, w pełni certyfikowany fotelik samochodowy dla dziecka. Ten produkt jest odpowiedni do używania dla dzieci o wzroście do 105cm i wadze do 21kg.

Należy uważnie przeczytać tę Instrukcję i wykonać czynności instalacyjne, ponieważ jest to JEDYNY sposób, aby uchronić dziecko przed poważnymi obrażeniami lub śmiercią w razie wypadku oraz zapewnić dziecku komfort podczas używania tego produktu.

Instrukcję należy zachować do wykorzystania w przyszłości.

Potwierdź

Aby używać ten podwyższony fotelik samochodowy Joie z połączeniami i-Size ISOFIX, zgodnie z przepisami UN nr 129/03, dziecko musi spełniać następujące wymagania.

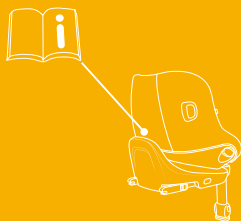
Ustawienie tyłem do kierunku jazdy: Wzrost dziecka 40cm-105cm/
Waga dziecka ≤ 21kg; Ustawienie przodem do kierunku jazdy: Wiek dziecka ≥ 15M/ Wzrost dziecka 76cm-105cm/
Waga dziecka ≤ 21kg;

Przed instalacją i rozpoczęciem używania produktu należy przeczytać wszystkie instrukcje z tego podręcznika.

**! WAŻNE: ZACHOWAJ DO WYKORZYSTANIA W PRZYSZŁOŚCI.
NALEŻY PRZECZYTAĆ UWAŻNIE.**

Podręcznik należy trzymać we wnętrzu, w tylnej części siedzenia, jak na rysunku po prawej.

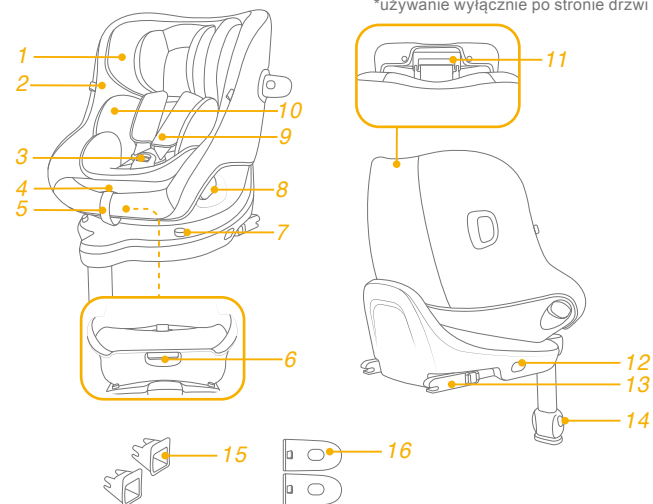
W celu uzyskania informacji o gwarancji, należy odwiedzić naszą stronę internetową, pod adresem joiebaby.com



Wykaz części

Upewnij się, że nie brakuje żadnych części. Jeśli czegoś brakuje, skontaktuj się ze sprzedawcą.

- | | |
|---|--|
| 1 Oparcie głowy | 10 Wkładka |
| 2 Poduszka fotelika | 11 Dźwignia regulacji oparcia głowy |
| 3 Sprzączka | 12 Przycisk regulatora mocowania ISOFIX |
| 4 Przycisk regulacji upręży | 13 Złącze ISOFIX |
| 5 Parciany pas regulacji | 14 Przycisk regulacji wspornika obciążenia |
| 6 Przycisk regulacji nachylenia oparcia | 15 Prowadnice mocowania ISOFIX |
| 7 Wyłącznik blokady obrotu | 16 Zabezpieczenie przed uderzeniem bocznym |
| 8 Przycisk obrotu | *używanie wyłącznie po stronie drzwi |
| 9 Osłony upręży na ramiona | |



OSTRZEŻENIE

- ! **NALEŻY** pamiętać o tym, że elementy sztywne i elementy plastikowe podwyższonego systemu fotelika samochodowego powinny być umiejscowione i zainstalowane w taki sposób, aby nie zostały uchwycone przez ruchome siedzenie lub drzwi pojazdu podczas codziennego używania pojazdu.
- ! **NIE WOLNO** umieszczać podwyższonego fotelika samochodowego skierowanego do tyłu na fotelach, w których zainstalowana jest aktywna przednia poduszka powietrzna.
- ! Aby używać ten podwyższony fotelik dla dziecka, zgodnie z przepisami UN Nr 129/03, dziecko musi spełniać następujące wymagania.
- ! Tryb ustawienia tyłem do kierunku jazdy: Wzrost dziecka 40cm - 105cm / maks. 21kg;
Tryb ustawienia przodem do kierunku jazdy: Wzrost dziecka 76cm - 105cm / maks. 21kg;
- ! **WAŻNE - NIE NALEŻY USTAWIAĆ FOTELIKA PRZODEM DO KIERUNKU JAZDY, ZANIM DZIECKO NIE PRZEKROCZY WIEKU 15 MIESIĘCY** (patrz instrukcję).
- ! Podwyższony fotelik samochodowy może nie pasować do wszystkich homologowanych pojazdów ze względu na schowki lub ograniczoną przestrzeń do dachu pojazdu. W razie wątpliwości należy się skontaktować ze sprzedawcą lub z nami.
- ! Każda noga stabilizująca powinna stykać się z podłogą pojazdu, wszystkie pasy którymi przypięte jest dziecko powinny być dopasowane do budowy jego ciała i nie powinny być skręcone.

OSTRZEŻENIE

- ! Po umieszczeniu dziecka w tym podwyższonym foteliku samochodowym, musi zostać prawidłowo założony pas bezpieczeństwa. Należy się upewnić, że został napięty nisko założony pas biodrowy, podtrzymujący biodro.
- ! Ten fotelik samochodowy dla dziecka należy wymienić na nowy w przypadku jego narażenia na działanie gwałtownych naprężeń w wyniku wypadku. Wypadek może spowodować niewidoczne uszkodzenie.
- ! Należy mieć na uwadze niebezpieczeństwo wynikające z wykonywania zmian lub przeróbek w urządzeniu bez uzyskania zatwierdzenia przez adekwatny urząd oraz niebezpieczeństwo wynikające z nieprzestrzegania instrukcji instalacji dostarczanych przez producenta podwyższonego dziecięcego fotelika samochodowego.
- ! Podwyższony fotelik samochodowy należy chronić przed promieniami słonecznymi. W przeciwnym razie może być on zbyt gorący dla skóry dziecka. Przed umieszczeniem dziecka należy zawsze dotknąć podwyższony fotelik dla dziecka.
- ! **NIE** należy pozostawiać dziecka w podwyższonym foteliku samochodowym bez opieki.
- ! Wszelki bagaż lub inne przedmioty, które mogą spowodować obrażenia ciała w razie kolizji powinny być prawidłowo zabezpieczone.
- ! **NIE NALEŻY UŻYWAĆ** systemu podwyższonego fotelika dla dziecka, bez miękkich wkładek.
- ! Miękkich wkładek nie należy zastępować innymi niż zalecane przez producenta, ponieważ stanowią one integralny element skuteczności działania fotelika dla dziecka.

OSTRZEŻENIE

- ! **Przed zakupieniem należy sprawdzić, czy ten podwyższony fotelik dla dziecka można prawidłowo zainstalować w pojeździe.**
- ! **ŻADEN podwyższony dziecięcy fotelik samochodowy nie gwarantuje pełnej ochrony przed obrażeniami w wypadku. Jednak prawidłowe użycie tego fotelika w znaczny sposób ograniczy ryzyko poważnego uszczerbku na zdrowiu lub śmierci dziecka.**
- ! **NIE należy montować ani używać tego podwyższonego fotelika samochodowego, nie postępując ściśle według instrukcji i ostrzeżeń zawartych w tej Instrukcji, ponieważ w przeciwnym razie dziecko może zostać narażone na poważne obrażenia lub śmierć.**
- ! **NIE należy używać tego podwyższonego fotelika samochodowego, jeśli jest uszkodzony lub gdy brakuje w nim części.**
- ! **NIE należy pozostawiać dziecka w dużym/zbyt obszernym ubraniu, ponieważ może to uniemożliwić prawidłowe i bezpieczne zamocowanie dziecka paskami uprząży na ramionach i pasem kroczeniowym między udami.**

Sytuacja zagrożenia



W sytuacji zagrożenia lub po wypadku najważniejsze jest, aby udzielić dziecku pierwszej pomocy i jak najszybciej poddać je konsultacji lekarskiej.

Informacje o produkcie

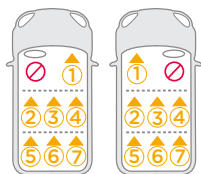
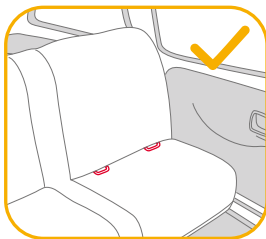
1. To jest podwyższony fotelik samochodowy zgodny z systemem i-Size. Posiada on aprobatę zgodności z przepisami UN nr 129, do używania w pozycjach siedzenia pojazdu zgodnych z i-Size, według wskazania przez producentów pojazdów w podręczniku użytkownika pojazdu.
2. W przypadku wątpliwości, należy się skontaktować z producentem podwyższonego fotelika samochodowego dla dzieci lub ze sprzedawcą.

Materiały	Tworzywa sztuczne, metal, tkaniny
Nr patentu	Patent zgłoszony

Wybór instalacji

	Wymiary dziecka	Tryb montażu	Rysunek instalacyjny	Wiek odniesienia	Pozycja fotela
ECE R129	40cm-105cm/ ≤21kg	Ustawienie tyłem do kierunku jazdy		W przybliżeniu 4 lata	Pozycja 1-5
	76cm-105cm/ ≤21kg	Ustawienie przodem do kierunku jazdy		15 miesięcy do około 4 lat	Pozycja 1-5

Wskazówki dotyczące instalacji



Stosowanie zabezpieczenia przed uderzeniem bocznym

Patrz rysunki 1 - 2

1. Podwyższony fotelik samochodowy dla dziecka, jest dostarczany z wyjmowaną kapsułą zabezpieczenia przed uderzeniem bocznym. Umieść kapsułę zderzenia bocznego po stronie znajdującej się najbliższej drzwi. Instalacja jest pokazana na ilustracji 1.
2. Naciśnij przycisk zwalniania, aby wyjąć zabezpieczenie przed uderzeniem bocznym. 2

Regulacja wysokości dla oparcia głowy i uprząży na ramiona

Patrz rysunki 3 - 6

- Wyreguluj oparcie głowy i sprawdź, czy uprząż na ramiona znajduje się na prawidłowej wysokości zgodnie z 3, 4, 5, 6
- ! Podczas używania w trybie ustawienia tyłem do kierunku jazdy wysokość pasów na ramiona musi pokrywać się z wysokością ramion dziecka lub znajdować niżej. 3
 - ! Podczas używania w trybie ustawienia przodem do kierunku jazdy, wysokość uprząży na ramiona musi pokrywać się lub znajdować się powyżej wysokości ramion dziecka. 4
- Naciśnij dźwignię regulacji oparcia głowy 5 i pociągnij w górę lub naciśnij w dół oparcie głowy, aż do zaskoczenia do jednej z 6 pozycji, jak pokazano na ilustracji 6.

Regulacja nachylenia

Patrz rysunki 7 - 8

- Naciśnij przycisk regulacji nachylenia w celu wyregulowania podwyższonego fotelika samochodowego do wymaganej pozycji. 7, 8
- Dostępne są 5 pozycje odchylenia, które można wykorzystać zarówno w trybie ustawienia tyłem do kierunku jazdy i przodem do kierunku jazdy. 8

Instalacja podstawy

Patrz rysunki 9 - 15

1. W celu ułatwienia montażu wstawić prowadnice ISOFIX. 9
 2. Nacisnąć przycisk regulatora mocowania ISOFIX, aby wydłużyć mocowanie ISOFIX. 11 -1 i 11 -2
 3. Upewnij się, że oba złącza ISOFIX są właściwie założone w ich punktach kotwienia ISOFIX. Kolory wskaźników na obydwóch złączach ISOFIX powinny być całkowicie zielone. 12 -1
- ! Ponownie naciśnij przyciski regulacji ISOFIX, popychając oparcie fotelika do tyłu, aż do zetknięcia z oparciem siedzenia pojazdu.
4. Po przymocowaniu złączy ISOFIX, docisnąć wspornik obciążenia do podłogi. Gdy wskaźnik wspornika obciążenia jest zielony, oznacza to, że znajduje się on w prawidłowej pozycji. 12 -2
 5. Wciśnij przycisk zwalnający wspornik obciążenia, a następnie wyreguluj długość wspornika obciążenia. 12 -3
- ! Należy zawsze upewnić się, że noga stabilizująca ma bezpośredni kontakt z podłogą i jest w pozycji zablokowania, nawet jeśli w foteliku nie ma dziecka.

Zdejmowanie siedzenia

1. Aby odłączyć od pojazdu, naciśnij przycisk regulatora ISOFIX i odciągnij podstawę od siedzenia. Następnie naciśnij i zwolnij złącza z mocowań ISOFIX pojazdu. 14
2. Aby zapobiec uszkodzeniu w czasie przenoszenia, naciśnij przycisk regulatora ISOFIX 15 -1 i złoż całkowicie złącze. 15 -2

Korzystanie w trybie przewożenia tyłem do kierunku jazdy

(Wzrost dziecka 40 - 105 cm / Waga dziecka ≤ 21kg / noworodki - do 4 lat)

Patrz rysunki 16 - 23

! Zainstaluj podwyższony fotelik samochodowy dla dziecka na tylnym siedzeniu pojazdu, a następnie umieść dziecko w podwyższonym foteliku dla dziecka.

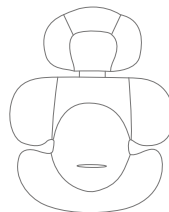
Naciśnij przycisk obrotu, aby obrócić fotelik w celu łatwiejszego włożenia/wyjęcia dziecka z boku, a następnie obróć fotelik do pozycji przewożenia tyłem do kierunku jazdy. 16|17

! Naciśnij przyciski obrotu z dowolnej strony, aby obrócić podwyższony dziecięcy fotelik samochodowy.

Zabezpieczanie dziecka w foteliku

1. Aby wydłużyć pasy uprząży na ramiona, naciśnij przycisk regulacji uprząży, pociągając uprząż na ramiona w celu poluzowania. 18
2. Rozepnij uprząż, naciskając czerwony przycisk. 19
3. Przymocuj sprzączki z obu stron fotela, jak pokazano na rysunku 20, aby ułatwić umieszczanie dziecka w trybie ustawienia tyłem do kierunku jazdy.

Używanie wkładki dla noworodka



Zalecamy korzystanie z pełnej wkładki dla niemowlęcia, jeżeli dziecko ma poniżej 60 cm wzrostu lub dopóki nie wyrośnie z wkładki dla niemowlęcia. Wkładki dla noworodków zwiększają zabezpieczenie przed uderzeniami bocznymi.

- Umieść dziecko w podwyższonym foteliku samochodowym i przełóż oba ramiona przez uprząż.
- Zatrzaśnij sprzączkę. Patrz rys. 21
- Pociągnij w dół regulator uprząży i wyreguluj do prawidłowej długości, aby się upewnić, że dziecko jest odpowiednio zabezpieczone. 22

! Dziecko zawsze powinno być zabezpieczone uprzążą i odpowiednio przytrzymane przez usunięcie wszystkich luzów.

! Upewnij się, że odległość między dzieckiem a uprzążą na ramiona jest w przybliżeniu równa grubości jednej dłoni.

! Gdy siedzenie zostanie obrócone na miejsce i prawidłowo zablokowane, przycisk obrotu będzie miał kolor zielony; w przeciwnym razie będzie miał kolor czerwony. 23

! Zawsze należy się upewnić, że siedzenie znajduje się w pozycji zablokowanej (tyłem do kierunku jazdy / przodem do kierunku jazdy), nawet jeśli nie ma w nim dziecka.

Używanie w trybie ustawienia przodem do kierunku jazdy

(Wzrost dziecka 76 - 105 cm / Waga dziecka \leq 21kg / 15 miesięcy - około 4 lata)

Patrz rysunki 24 - 31

! Zainstaluj podwyższony fotelik samochodowy dla dziecka na tylnym siedzeniu pojazdu, a następnie umieść dziecko w podwyższonym foteliku dla dziecka.

Naciśnij przycisk obrotu, aby obrócić fotelik w celu łatwiejszego włożenia/wyjęcia dziecka z boku, a następnie obróć fotelik do pozycji przewożenia przodem do kierunku jazdy. 24/25

! Naciśnij przyciski obrotu z dowolnej strony, aby obrócić podwyższony dziecięcy fotelik samochodowy.

Zabezpieczanie dziecka w foteliku

- Aby wydłużyć pasy uprząży na ramiona, naciśnij przycisk regulacji uprząży, pociągając uprząż na ramiona w celu poluzowania. 26
- Odblokuj sprzączkę uprząży naciskając czerwony przycisk. 27

! W trybie ustawienia przodem do kierunku jazdy należy wyjąć wkładkę dla niemowlęcia. 28

- Umieść języki sprzączki w obszarze magnesu po zewnętrznej stronie podwyższonego fotelika samochodowego, aby języki znajdowały się na swoim miejscu.

- Umieść dziecko w podwyższonym foteliku samochodowym i przełóż oba ramiona przez uprząż.

- Zatrzaśnij sprzączkę.

- Pociągnij w dół regulator uprząży i wyreguluj do prawidłowej długości, aby się upewnić, że dziecko jest odpowiednio zabezpieczone. 29

- Podczas przekręcania siedzenia do trybu ustawienia przodem do kierunku jazdy, naciśnij przycisk wyłączenia blokady obrotu 30-1. 30-2

! Gdy siedzenie zostanie obrócone na miejsce i prawidłowo zablokowane, przycisk obrotu będzie miał kolor zielony; w przeciwnym razie będzie miał kolor czerwony. 30

! Zawsze należy się upewnić, że siedzenie znajduje się w pozycji zablokowanej (tyłem do kierunku jazdy / przodem do kierunku jazdy), nawet jeśli nie ma w nim dziecka.

! Łączka ISOFIX muszą być połączone i zablokowane w punktach kotwiących ISOFIX. 31-1

! Wspornik obciążenia musi być zamontowany prawidłowo ze wskaźnikiem w kolorze zielonym. 31-2

! Dziecko zawsze powinno być zabezpieczone uprzążą i odpowiednio przytrzymane przez usunięcie wszystkich luzów.

! NIE należy używać trybu skierowania przodem do kierunku jazdy, aż do osiągnięcia przez dziecko wzrostu co najmniej 76cm ORAZ wieku 15 miesięcy.

Odlączenie miękkich elementów

Patrz rysunki 32 - 40

Naciśnij czerwony przycisk, aby zwolnić sprzączkę. 32

Aby odłączyć miękkie elementy, wykonaj czynności 33 - 40.

Aby ponownie doczepić miękkie elementy wykonaj czynności opisane powyżej w odwrotnej kolejności.

Pielęgnacja i konserwacja

- ! Wkładki należy przechowywać w miejscu poza zasięgiem dziecka.
- ! Elementy miękkie należy myć zimną wodą o temperaturze poniżej 30°C.
- ! Nie należy prasować miękkich elementów.
- ! Nie należy wybielać lub czyścić chemicznie miękkich elementów.
- ! Nie należy używać nierozcieńczonych detergentów, benzyny lub innych rozpuszczalników organicznych, do mycia podwyższonego fotelika samochodowego dla dziecka lub podstawy. Mogą one spowodować uszkodzenie podwyższonego fotelika samochodowego dla dziecka.
- ! Nie należy wykręcać na siłę miękkich elementów w celu ich wysuszenia. Może to spowodować pofałdowanie elementów miękkich.
- ! Elementy miękkie należy zawiesić w cieniu w celu ich wysuszenia.
- ! Podwyższony fotelik dla dziecka należy wyjąć z siedzenia pojazdu, jeżeli nie będzie używany przez dłuższy czas.



CZ Vítá vás značka Joie™

Zakoupili jste vysoce kvalitní, plně certifikované dětské zádržné zařízení. Tento produkt je vhodný pro děti do výšky 105 cm a do hmotnosti 21 kg.

Pečlivě si přečtěte tento návod k použití a postupujte přesně dle instrukcí zde uvedených, neboť toto je ten JEDINÝ způsob, jak ochránit vaše dítě před vážným zraněním nebo smrtí v případě nehody. Zároveň mu dodržováním postupu uvedenému v tomto návodu zajistíte maximální komfort při používání tohoto produktu.

Uchovejte tento návod pro budoucí použití!

Ujistěte se

Aby bylo možné používat tuto dětskou autosedačku Joie s připojením i-Size ISOFIX v souladu s předpisem UN č. 129/03, musí vaše dítě splňovat následující požadavky.

Orientace proti směru jízdy: Výška dítěte 40 cm - 105 cm/ hmotnost dítěte ≤ 21 kg;

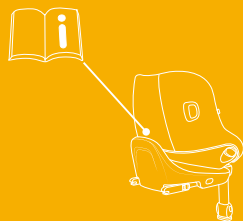
Orientace po směru jízdy: Věk dítěte ≥ 15 m/ výška dítěte 76 cm - 105 cm/ hmotnost dítěte ≤ 21 kg;

Před instalováním a použitím tohoto výrobku si přečtěte všechny pokyny v tomto návodu.

**! DŮLEŽITÉ: USCHOVEJTE PRO BUDOUCÍ POUŽITÍ.
POZORNĚ ČTĚTE.**

Tento návod uschovejte do přihrádky na zadní straně autosedačky (viz obrázek vpravo) pro budoucí využití.

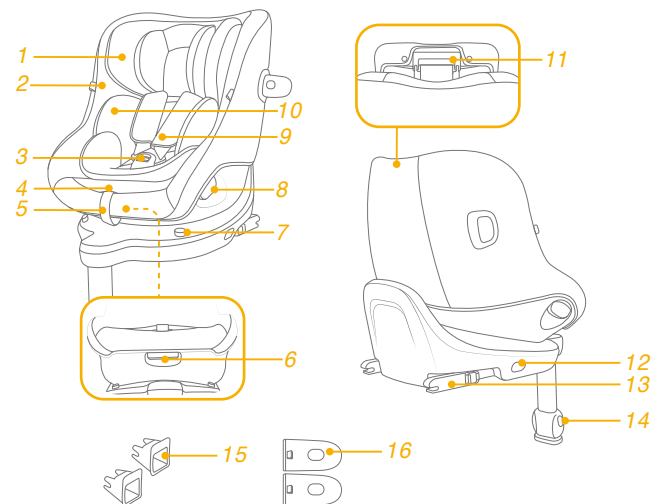
Informace o záruce najdete na našem webu joiebaby.com



Seznam dílů

Zkontrolujte, že žádná část nechybí. V případě, že některá část chybí, kontaktujte prodejce.

- | | | | |
|---|---------------------------------|----|---|
| 1 | Hlavová opěrka | 10 | Vložka |
| 2 | Vložka sedačky | 11 | Páčka nastavení opěrky hlavy |
| 3 | Přezka | 12 | Tlačítko nastavení ISOFIX |
| 4 | Tlačítko pro nastavení postroje | 13 | Konektor ISOFIX |
| 5 | Pás nastavení délky postroje | 14 | Tlačítko nastavení opěrné nohy |
| 6 | Tlačítko nastavení sklonu | 15 | Vodítka upevnění ISOFIX |
| 7 | Zámek otáčení odemknutý | 16 | Ochrana proti bočnímu nárazu |
| 8 | Tlačítko otáčení | | <small>* lze používat pouze na straně u dveří</small> |
| 9 | Vložky ramenního postroje | | |



VAROVÁNÍ

- ! **DBEJTE** na to, aby pevné předměty a plastové části tohoto vylepšeného dětského zádržného systému byly umístěny a instalovány tak, aby nemohly být zachyceny pohyblivým sedadlem nebo dveřmi vozidla při jeho každodenním používání.
- ! **NEPOUŽÍVEJTE** vylepšené dětské autosedačky v orientaci proti směru jízdy na sedadlech, na kterých je nainstalován aktivní čelní airbag.
- ! Aby bylo možné používat tento vylepšený dětský zádržný systém v souladu s předpisem UN č. 129/03, musí vaše dítě splňovat následující požadavky.
- ! Proti směru jízdy: Výška dítěte 40 - 105 cm/ max. 21kg;
Po směru jízdy: Výška dítěte 76 - 105 cm/ max. 21kg;
- ! **DŮLEŽITÉ - NEPOUŽÍVEJTE ORIENTACI PO SMĚRU JÍZDY, DOKUD VĚK DÍTĚTE NEPŘESÁHNE 15 MĚSÍCŮ** (viz návod).
- ! Je možné, že tento vylepšený dětský zádržný systém nebude možné umístit do všech schválených vozů z důvodu úložných prostor nebo omezeného prostoru ke stropu vozidla. Pokud si nevíte rady, obraťte se na vašeho prodejce nebo kontaktujte nás.
- ! Opěrná noha se musí dotýkat podlahy vozidla. Všechny popruhy zajišťující dítě musí být nastaveny podle jeho těla. Popruhy nesmí být překroucené.

VAROVÁNÍ

- ! Po umístění dítěte do této vylepšené dětské autosedačky musí být správně použit bezpečnostní pás. Zkontrolujte, aby nebyl žádný z bederních popruhů v dolní části opotřebovaný a aby byla pánev pevně zajištěna.
- ! Pokud byla tato vylepšená dětská autosedačka vystavena nadměrnému pnutí při dopravní nehodě, musí být vyměněna. Při dopravní nehodě může dojít ke skrytému poškození.
- ! Zvažte nebezpečí, které s sebou nesou jakékoli úpravy nebo doplňky tohoto zařízení, které nebyly schváleny kompetentním orgánem. Dále zvažte nebezpečí, které vyplývá z nedodržení pokynů pro instalaci od výrobce této vylepšené dětské autosedačky.
- ! Tuto vylepšenou dětskou autosedačku uchovávejte mimo přímé sluneční světlo. V opačném případě bude příliš horká pro pokožku dítěte. Před umístěním dítěte vždy dotykem zkontrolujte teplotu vylepšené dětské autosedačky.
- ! **NENECHÁVEJTE** dítě v této vylepšené dětské autosedačce.
- ! Veškerá zavazadla nebo jiné předměty, které v případě nehody mohou způsobit zranění, musí být řádně zajištěny.
- ! Tento vylepšený dětský zádržný systém **NELZE** používat bez látkových potahů.
- ! Látkové potahy smí být nahrazeny pouze podle doporučení výrobce, protože se nedílnou částí podílejí na účinnosti zádržného systému.

VAROVÁNÍ

- ! Před zakoupením zkontrolujte, zda lze tuto vylepšenou dětskou autosedačku řádně nainstalovat do vašeho vozu.
- ! ŽÁDNÁ vylepšená dětská autosedačka nezaručuje plnou ochranu před zraněním v případě nehody. Správným používáním této vylepšené dětské autosedačky se ale sníží riziko vážného zranění nebo smrti vašeho dítěte.
- ! VŽDY instalujte tuto vylepšenou dětskou autosedačku výhradně v souladu s tímto návodem. V opačném případě vystavujete své dítě nebezpečí vážného zranění nebo smrti.
- ! V ŽÁDNÉM PŘÍPADĚ nepoužívejte tuto vylepšenou dětskou autosedačku, pokud je nekompletní nebo poškozená.
- ! NEOBLÉKEJTE své dítě do oblečení, které je příliš nadměrně velké. Mohlo by to zabránit řádnému a bezpečnému uchycení dítěte ramenními popruhy a popruhy mezi nohama.

Stav nouze



V případě ohrožení nebo úrazu je nejdůležitější poskytnout vašemu dítěti okamžitě ošetření a následnou lékařskou pomoc.

Informace o produktu

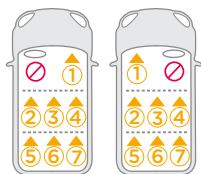
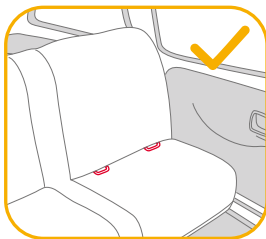
1. Toto je vylepšená dětská autosedačka i-Size. Byla schválena v souladu s předpisem OSN č. 129 pro používání na místech k sezení vozu, která jsou kompatibilní se standardem i-Size, jak je uvedeno výrobcem vozu v návodu na použití vozu.
2. Pokud si nebudete jisti, obraťte se na výrobce nebo prodejce této vylepšené dětské autosedačky.

Materiály	Plasty, kov, textilie
Č. patentu	Čeká na udělení patentu

Zvolte vaši instalaci

	Velkost dítěte	Režim instalace	Obrázek instalace	Doporučený věk	Pozice sedadla
ECE R129	40 - 105 cm/ ≤21 kg	Orientace proti směru jízdy		Cca 4 roky	Pozice 1-5
	76 - 105 cm/ ≤21 kg	Orientace po směru jízdy		15 měsíců až přibližně 4 roky	Pozice 1-5

Upozornění k instalaci



Použití ochrany proti bočnímu nárazu

viz obrázky 1 - 2

1. Tato vylepšená dětská autosedačka je dodávána s odnímatelnou ochranou proti bočnímu nárazu. Zasuňte ochranu proti bočnímu nárazu na stranu nejbližší ke dveřím. Instalace je uvedena na obrázku 1.
2. Chcete-li ochranu proti bočnímu nárazu odejmout, stiskněte uvolňovací tlačítko.

Výškové nastavení pro hlavovou opěrku a ramenní pásy

viz obrázky 3 - 6

Nastavte hlavovou opěrku a zkontrolujte, zda se ramenní pásy nacházejí ve správné výšce podle 3&4&5&6

! Při používání proti směru jízdy musí být ramenní pásy zároveň s horní stranou ramen dítěte nebo těsně pod ní. 3

! Při používání po směru jízdy musí být ramenní pásy zároveň s horní stranou ramen dítěte nebo těsně nad ní. 4

Stiskněte páčku nastavení hlavové opěrky 5 a vysuňte nebo zasuňte hlavovou opěrku, dokud nezapadne do jedné z 6 pozic viz 6.

Nastavení sklonu

viz obrázky 7 - 8

Stiskněte tlačítko nastavení sklonu a upravte vylepšenou dětskou autosedačku do požadované pozice. 7&8.

K dispozici je 5 poloh sklonu, které lze použít v režimu proti směru jízdy i v režimu po směru jízdy. 8

Instalace základny

viz obrázky 9 - 15

1. Pro usnadnění instalace nasad'te vodiče konektorů ISOFIX. 9
 2. Stisknutím tlačítka nastavení ISOFIX vysuňte ISOFIX. 11 -1&11 -2
 3. Ujistěte se, že jsou oba konektory ISOFIX pevně uchyceny k příslušným kotvicím bodům ISOFIX. Při správném uchycení by měly být indikátory na obou konektorech ISOFIX zcela zelené. 12 -1
- ! Stiskněte znovu nastavovací tlačítka ISOFIX a zároveň zatlačte sedačku dozadu tak, aby se dotýkala opěráku sedadla vozu.
4. Po připevnění systému ISOFIX vysuňte opěrnou nohu k podlaze. Když je indikátor opěrné nohy zelený, opěrná noha je nainstalována správně. 12 -2
 5. Stiskněte uvolňovací tlačítko opěrné nohy a potom upravte její délku. 12 -3
- ! Vždy zajistěte, aby se opěrná noha přímo dotýkala podlahy a byla v zajištěné poloze, i když v ní není dítě.

Vyjmutí sedačky

1. Chcete-li vyjmout základnu z vozidla, stiskněte tlačítko nastavení ISOFIX a stáhněte základnu ze sedadla. Potom stiskněte a vyjměte konektory ze systému ISOFIX vozu. 14
2. Aby se zabránilo poškození během převážení, stiskněte tlačítko nastavení ISOFIX 15 -1 a konektor zcela zasuňte. 15 -2

Používání proti směru jízdy (Výška dítěte 40 cm - 105 cm/hmotnost dítěte ≤ 21 kg/novorozenec - 4 roky)

viz obrázky 16 - 23

! Nainstalujte vylepšenou dětskou autosedačku na zadní sedadlo vozu a poté do ní usad'te dítě.

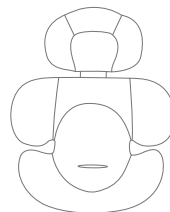
Stisknutí otočného tlačítka zaměňte stranu pro snazší vkládání/vyjímání dítěte. Potom otočte sedačku do polohy proti směru jízdy. 16&17

! Stiskněte tlačítko otáčení na některé straně a otočte vylepšenou dětskou autosedačku.

Zajištění dítěte

1. Chcete-li prodloužit pásy ramenního postroje, stiskněte tlačítko nastavení postroje a zároveň vytažením uvolněte ramenní postroj. 18
2. Stisknutím červeného tlačítka rozepněte přezku. 19
3. Upevněte přezky na obou stranách sedačky jako na obrázku 20, aby bylo vložení dítěte proti směru jízdy pohodlnější.

Použití vložky pro novorozence



Doporučujeme používat kompletní vložku pro novorozence pro dítě do 60 cm a lze ji používat do té doby, dokud dítě z novorozenecké vložky nevyroste. Tato vložka zvyšuje ochranu proti bočnímu nárazu.

4. Usadte dítě do vylepšené dětské autosedačky a protáhněte obě jeho ruce skrz postroj.
 5. Zapněte přezku. Viz 21
 6. Zatáhněte za pás nastavení délky postroje a utáhněte je tak, aby bylo dítě pevně připoutáno. 22
- ! Vždy uchovávejte dítě zajištěné v řádně utaženém postroji bez zbytečné vůle.
 - ! Zajistěte, aby mezi dítětem a popruhy ramenního postroje byl prostor přibližně na tloušťku jedné ruky.
 - ! Když je sedačka otočena na místo a správně zajištěna, tlačítko otáčení je zelené; jinak je červené. 23
 - ! Vždy se ujistěte, že je sedačka v zajištěné poloze (proti/po směru jízdy), i když v ní není dítě.

Používání po směru jízdy
 (Výška dítěte 76 cm - 105 cm/hmotnost dítěte
 ≤ 21 kg/15 měsíců - přibl. 4 roky)

viz obrázky 24 - 31

! Nainstalujte vylepšenou dětskou autosedačku na zadní sedadlo vozu a poté do ní usadte dítě.

Stisknutím otočného tlačítka zaměřte stranu pro snazší vkládání/vyjímání dítěte. Potom otočte sedačku do polohy po směru jízdy. 24 & 25

! Stiskněte tlačítko otáčení na některé straně a otočte vylepšenou dětskou autosedačku.

Zajištění dítěte

1. Chcete-li prodloužit pásy ramenního postroje, stiskněte tlačítko nastavení postroje a zároveň vytažením uvolněte ramenní postroj. 26
 2. Uvolněte přezku postroje stisknutím červeného tlačítka. 27
- ! Při používání po směru jízdy vyjměte novorozeneckou vložku. 28

3. Položte jazýčky přezky k magnetické části na vnější straně vylepšené dětské autosedačky tak, aby se jazýčky zachytily na místě.
 4. Usadte dítě do vylepšené dětské autosedačky a protáhněte obě jeho ruce skrz postroj.
 5. Zapněte přezku.
 6. Zatáhněte za pás nastavení délky postroje a utáhněte je tak, aby bylo dítě pevně připoutáno. 29
 7. Stiskněte tlačítko uvolnění zámku otáčení 30-1 a zároveň otočte sedačku do režimu po směru jízdy. 30-2
- ! Když je sedačka otočena na místo a správně zajištěna, tlačítko otáčení je zelené, jinak je červené. 30
 - ! Vždy se ujistěte, že je sedačka v zajištěné poloze (proti/po směru jízdy), i když v ní není dítě.
 - ! Konektory ISOFIX musí být připevněny a zajištěny na kotvicích bodech ISOFIX. 31-1
 - ! Opěrná noha musí být nainstalována správně se zeleným indikátorem. 31-2
 - ! Vždy uchovávejte dítě zajištěné v řádně utaženém postroji bez zbytečné vůle.
 - ! NEPOUŽÍVEJTE režim po směru jízdy, pokud výška vašeho dítěte není alespoň 76 cm A ZÁROVEŇ nemá alespoň 15 měsíců.

Sejmutí látkových částí

viz obrázky 32 - 40

Stiskněte červené tlačítko pro odepnutí přezky. 32

Sejměte látkové části podle kroků 33 - 40.

Při nasazování hlavové opěrky a novorozenecké vložky postupujte v obráceném pořadí.

Péče a údržba

- ! Vložku skladujte mimo dosah dětí.
- ! Látkové části umývejte vlažnou vodou do teploty 30°C.
- ! Látkové části nežehlete.
- ! Na látkové části nepoužívejte bělidlo ani je nečistěte za sucha.
- ! K mytí této vylepšené dětské autosedačky nebo základny nepoužívejte nezředitelné čisticí prostředky, benzín ani jiná organická rozpouštědla. Mohlo by dojít k poškození vylepšené dětské autosedačky.
- ! Nesnažte se kroutit ani ždímat látkové části sedačky velkou silou. Může to na látkových částech zanechat záhyby.
- ! Látkové části sušte zavěšené ve stínu.
- ! Pokud tuto vylepšenou dětskou autosedačku nebudete delší dobu používat, vyjměte ji z vozidla.



SK Vitajte v rodine Joie™

Zakúpili ste si vysokokvalitnú, plne certifikovanú detskú autosedačku. Tento výrobok je vhodný pre deti s výškou a hmotnosťou do 105 cm a 21 kg.

Pozorne si prečítajte tento návod na obsluhu a postupuje podľa inštaláčnych krokov, pretože toto je JEDINÝ spôsob, ako ochrániť vaše dieťa pred vážnym zranením alebo smrťou v prípade nehody a poskytnúť dieťaťu pohodlie pri používaní tohto výrobku.

Tento návod na použitie uložte pre budúce použitie.

Overte si

Na používanie tejto zosilnenej detskej autosedačky i-Size so spojovacími prvkami ISOFIX podľa nariadenia OSN č.129/03 musí vaše dieťa spĺňať nasledujúce požiadavky.

Smerovanie tvárou dozadu: Výška dieťaťa 40 až 105 cm/Hmotnosť dieťaťa ≤ 21 kg.

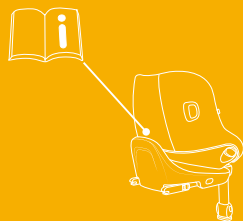
Smerovanie tvárou dopredu: Vek dieťaťa ≥ 15 mesiacov/Výška dieťaťa 76 až 105 cm/Hmotnosť dieťaťa ≤ 21 kg.

Pred inštaláciou a používaním tohto výrobku si prečítajte všetky pokyny, ktoré sú v tejto príručke uvedené.

**! DÔLEŽITÉ: UCHOVAJTE PRE NESKORŠIE POUŽITIE.
ČÍTAJTE POZORNE.**

Návod na použitie odložte v úložnom priestore v zadnej časti sedačky, ako je zobrazené na obrázku vpravo.

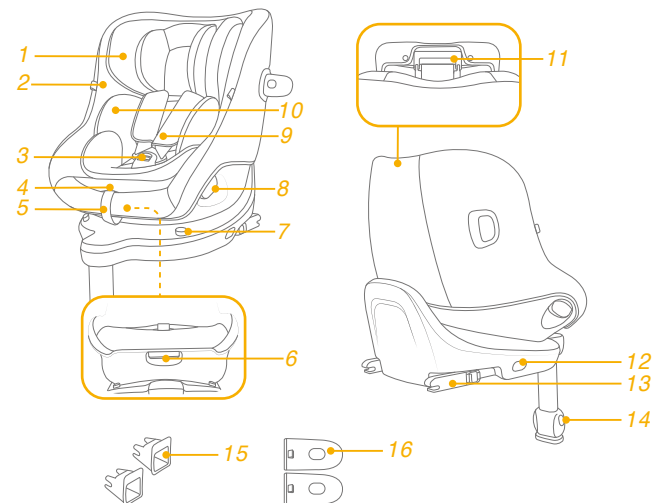
Informácie o záruke nájdete na našej webovej stránke joiebaby.com



Zoznam jednotlivých častí

Uistite sa, že nechýbajú žiadne časti. Ak niečo chýba, obráťte sa na predajcu.

- | | | | |
|---|---------------------------------|----|---------------------------------------|
| 1 | Opierka hlavy | 10 | Vložka |
| 2 | Čalúnenie sedačky | 11 | Páčka na nastavenie opierky hlavy |
| 3 | Spona | 12 | Nastavovacie tlačidlo ISOFIX |
| 4 | Tlačidlo na nastavenie popruhov | 13 | Prípojka ISOFIX |
| 5 | Nastavovací popruh | 14 | Tlačidlo na nastavenie opornej nohy |
| 6 | Tlačidlo na nastavenie sklonu | 15 | Vodiace prvky príchytiek ISOFIX |
| 7 | Zámok otáčania | 16 | Chránič proti bočnému nárazu |
| 8 | Tlačidlo otáčania | | *musí sa používať iba na strane dverí |
| 9 | Kryty ramenných popruhov | | |



VÝSTRAHA

- ! Majte na pamäti, že pevné predmety a plastové časti zosilneného detského zadržiavacieho systému musia byť umiestnené a inštalované tak, aby nebolo možné ich zachytenie do pohyblivých sedadiel alebo dverí vozidla pri každodennom používaní.
- ! **NEPOUŽÍVAJTE** zosilnené detské zadržiavacie systémy smerujúce tvárou dozadu na miestach na sedenie, kde je nainštalovaný aktívny čelný airbag.
- ! Na používanie tejto zosilnenej detskej autosedačky podľa Predpisu OSN č. 129/03 musí vaše dieťa spĺňať nasledujúce požiadavky.
- ! Režim tvárou dozadu: Výška dieťaťa 40 až 105 cm/
max. 21 kg.
Režim smerovania tvárou dopredu: Výška dieťaťa 76 až 105 cm/max. 21 kg.
- ! **DÔLEŽITÉ - NEPOUŽÍVAJTE REŽIM TVÁROU DOPREDU, KÝM VEK DIEŤAŤA NEPREKROČÍ 15 MESIACOV** (postupujte podľa pokynov).
- ! Zosilnená detská autosedačka nemusí byť vhodná pre všetky schválené vozidlá kvôli úložným priestorom alebo obmedzenému priestoru smerom k streche vozidla. V prípade pochybností sa obráťte na predajcu alebo nás kontaktujte.
- ! Každá oporná noha musí byť v kontakte s podlahou vozidla, všetky popruhy, ktoré držia dieťa musia byť prispôbené telu dieťaťa a popruhy nesmú byť skrútené.

VÝSTRAHA

- ! Po umiestnení dieťaťa do tejto zosilnenej detskej autosedačky sa musí správne použiť bezpečnostný pás. Zaistíte, aby bedrový popruh prechádzal nízko v spodnej časti s pevne pripútanou panvou a musí byť napnutý.
- ! Táto zosilnená detská autosedačka sa musí vymeniť v prípade, že bola vystavená intenzívnemu namáhaniu pri nehode. Nehoda môže spôsobiť poškodenie, ktoré nemusí byť viditeľné.
- ! Berte do úvahy nebezpečenstvo vyplývajúce z vykonávania akýchkoľvek zmien alebo doplnení zariadenia bez súhlasu zodpovedajúceho orgánu a nebezpečenstva vyplývajúceho z toho, že sa nebudú dôsledne dodržiavať pokyny na inštaláciu poskytnuté výrobcom zosilnenej detskej autosedačky.
- ! Udržujte túto zosilnenú detskú autosedačku mimo slnečného svetla, v opačnom prípade môže byť pre pokožku dieťaťa príliš horúca. Pred vložením dieťaťa do zosilnenej detskej autosedačky sa jej vždy dotknite.
- ! **NENECHÁVAJTE** svoje dieťa v zosilnenom detskom zadržiavacom systéme bez dozoru.
- ! Akákoľvek batožina alebo iné predmety, ktoré by mohli spôsobiť zranenie v prípade kolízie, sa musia správnym spôsobom zaistiť.
- ! Zosilnený detský zadržiavací systém sa **NESMIE POUŽÍVAŤ** bez mäkkých textílií.
- ! Mäkké textílie sa nesmú nahrádzať inými než odporúčanými výrobcom, pretože mäkké textílie tvoria neoddeliteľnú súčasť charakteristických vlastností detskej autosedačky.

VÝSTRAHA

- ! **Pred zakúpením skontrolujte, či je možné túto zosilnenú detskú autosedačku správne nainštalovať do vášho vozidla.**
- ! **ŽIADNA zosilnená detská autosedačka nedokáže zaručiť úplnú ochranu pred zranením pri nehode. Správne používanie tejto zosilnenej detskej autosedačky však znižuje riziko vážneho poranenia alebo smrti dieťaťa.**
- ! **NEINŠTALUJTE túto zosilnenú detskú autosedačku bez toho, aby ste sa neriadili pokynmi v tejto príručke, pretože inak by ste mohli svoje dieťa vystaviť vážnemu riziku poranenia alebo smrti.**
- ! **NEPOUŽÍVAJTE túto zosilnenú detskú autosedačku, ak má poškodené alebo chýbajúce časti.**
- ! **NEOBLIEKAJTE svoje dieťa do veľkých/ nadrozmerných odevov, pretože by mohli zabrániť tomu, aby bolo dieťa, správne a bezpečne upevnené ramennými popruhmi a rozkrokovým popruhom medzi nohami.**

Núdzová situácia



V prípade núdzovej situácie alebo nehody je najdôležitejšie, aby bolo o vaše dieťa ihneď postarané v rámci prvej pomoci a lekárskeho ošetrovania.

Informácie o výrobku

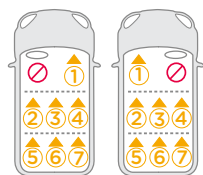
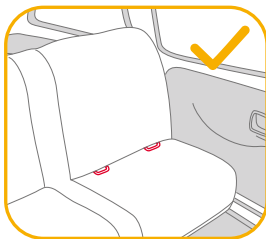
1. Toto je Zosilnený detský zadržiavací systém i-Size. Je schválený podľa Predpisu OSN č. 129 na použitie v sedadle na sedenie pre vozidlá kompatibilné so systémom i-Size podľa toho, ako uvádzajú výrobcovia vozidiel v príručke používateľa vozidla.
2. V prípade pochybností sa obráťte na výrobcu Zosilneného detského zadržiavacieho systému alebo predajcu.

Materiály	Plast, kov, textil
Patent č.	Patentová prihláška sa prerokúva

Vyberte si spôsob inštalácie

Veľkosť dieťaťa	Režim inštalácie	Obrázok so znázornením inštalácie	Referenčný vek	Poloha sedačky
40 až 105 cm/ ≤ 21kg	Smerovanie tvárou dozadu		Pribl. 4 roky	Poloha 1 - 5
76 až 105 cm/ ≤ 21kg	Pri smerovaní tvárou dopredu		15 mesiacov až približne 4 roky	Poloha 1 - 5

Záležitosti týkajúce sa inštalácie



Použite chránič proti bočnému nárazu

pozrite si obrázky 1 - 2

- Zosilnená detská autosedačka sa dodáva s odnímateľným modulom ochrany proti bočnému nárazu. Vložte modul ochrany proti bočnému nárazu na stranu bližšie k dverám. Inštalácia je zobrazená na obrázku 1.
- Stlačte uvoľňovacie tlačidlo, ak chcete vybrať chránič proti bočnému nárazu. 2

Nastavenie výšky opierky hlavy a ramenných popruhov

pozrite si obrázky 3 - 6

Nastavte opierku hlavy a skontrolujte, či sú ramenné popruhy v správnej výške podľa obr. 3 a 4 a 5 a 6

! Pri používaní v režime tvárou dozadu musí byť výška ramenných popruhov zarovno s ramenami dieťaťa alebo tesne pod ich vrcholom. 3

! Pri používaní v režime tvárou dopredu musí byť výška ramenných popruhov zarovno s ramenami dieťaťa alebo tesne nad ich vrcholom. 4

Stlačte páčku na nastavenie opierky hlavy 5 a vytiahnite alebo zatlačte opierku hlavy, kým nezacvakne do jednej z 6 polôh, zobrazených na 6.

Nastavenie sklonu

pozrite si obrázky 7 - 8

Ak chcete nastaviť zosilnenú detskú autosedačku do požadovanej polohy, stlačte tlačidlo na nastavenie sklonu. 7 & 8.

K dispozícii je 5 polôh sklonu, ktoré možno použiť pre oba režimy, tvárou dozadu aj tvárou dopredu. 8

Inštalácia základne

pozrite si obrázky 9 - 15

1. Zasuňte vodiace prvky ISOFIX, ktoré pomáhajú pri inštalácii. 9
2. Stlačením nastavovacieho tlačidla ISOFIX vysuniete systém ISOFIX. 11 -1 a 11 -2
3. Skontrolujte, či sú obe prípojky ISOFIX pevne pripojené k svojim kotevným bodom ISOFIX. Farba na indikátoroch oboch prípojek ISOFIX musí byť úplne zelená. 12 -1
- ! Znova stlačte nastavovacie tlačidlá ISOFIX, pričom zatlačte zadnú stranu sedačky tak, aby sa dostala do kontaktu s operadlom sedadla vozidla.
4. Po pripojení systému ISOFIX vytiahnite opornú nohu smerom nadol na podlahu. Keď indikátor opornej nohy zobrazí zelenú farbu, je oporná noha nainštalovaná správne. 12 -2
5. Stisnite uvoľňovacie tlačidlo opornej nohy a potom nastavte dĺžku opornej nohy. 12 -3
- ! Vždy sa uistite, že má oporná noha priamy kontakt s podlahou a že je v uzamknutej polohe, aj keď dieťa nie je v sedačke.

Vybratie sedačky

1. Na vybratie z vozidla stlačte nastavovacie tlačidlo ISOFIX a vytiahnite zadnú časť základne zo sedadla. Potom stlačte a uvoľnite prípojky zo systému ISOFIX vozidla. 14
2. Aby ste predišli poškodeniu počas prepravy, stlačte nastavovacie tlačidlo ISOFIX 15 -1 a prípojku zložte úplne. 15 -2

Používanie režimu tvárou dozadu (Výška dieťaťa 40 až 105 cm/Hmotnosť dieťaťa ≤ 21kg/dojča až 4 roky)

pozrite si obrázky 16 - 23

! Nainštalujte zosilnenú detskú autosedačku na zadné sedadlo vozidla a potom do nej vložte dieťa.

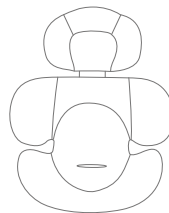
Stlačte tlačidlo otáčania, aby ste sedačku otočili pre jednoduchšie bočné nakladanie/vykládanie dieťaťa, potom otočte sedačku do polohy tvárou smerom dozadu. 16&47

! Ak chcete otočiť zosilnenú detskú autosedačku, stlačte tlačidlo otáčania na oboch stranách.

Zaistenie dieťaťa

1. Ak chcete predĺžiť pásy ramenných popruhov, stlačte tlačidlo na nastavenie popruhov a vytiahnutím ramenných popruhov ich uvoľnite. 18
2. Rozopnite popruhy stlačením červeného tlačidla. 19
3. Zaisťte spony na oboch stranách sedačky zobrazené ako 20, ktoré sú umiestnené na oboch stranách sedačky, aby bolo umiestnenie dieťaťa v režime tvárou dozadu pohodlnejšie.

Použite dojčenskú vložku



Odporúčame používať celú dojčenskú vložku, kým má dieťa menej ako 60cm a môže sa používať, kým z dojčenskej vložky nevyrastie. Dojčenská vložka zvyšuje ochranu pri bočnom náraze.

4. Položte dieťa do zosilnenej detskej autosedačky a prevlečte mu obe ruky cez popruhy.
 5. Zapnite sponu. Pozrite si ²¹
 6. Potiahnite nastavovací popruh nadol a nastavte ho na správnu dĺžku, aby ste sa uistili, že je vaše dieťa správne zaistené. ²²
- ! Vždy majte dieťa upevnené v popruhoch a riadne ich dotiahnite, aby ste odstránili všetky uvoľnené časti.
- ! Skontrolujte, či je medzera medzi dieťaťom a ramennými popruhmi široká asi na hrúbku jednej ruky.
- ! Keď je sedačka otočená na mieste a správne zaistená, tlačidlo otáčania zobrazí zelenú farbu, inak sa zobrazuje červená. ²³
- ! Vždy sa uistite, že je sedačka v uzamknutej polohe (smerovaní tvárou dozadu/dopredu), aj keď v nej nie je dieťa.

Používanie v režime tvárou dopredu (Výška dieťaťa 76 až 105 cm/Hmotnosť dieťaťa ≤ 21 kg/vek 15 mesiacov až pribl. 4 roky)

pozrite si obrázky ²⁴ - ³¹

! Nainštalujte zosilnenú detskú autosedačku na zadné sedadlo vozidla a potom do nej vložte dieťa.

Stlačte tlačidlo otáčania, aby ste sedačku otočili pre jednoduchšie bočné nakladanie/vykládanie dieťaťa, potom otočte sedačku do polohy tvárou smerom dopredu. ²⁴ & ²⁵

! Ak chcete otočiť zosilnenú detskú autosedačku, stlačte tlačidlo otáčania na oboch stranách.

Zaistenie dieťaťa

1. Ak chcete predĺžiť pásy ramenných popruhov, stlačte tlačidlo na nastavenie popruhov a vytiahnutím ramenných popruhov ich uvoľnite. ²⁶
 2. Sponu popruhov odistite stlačením červeného tlačidla. ²⁷
- ! V režime smerovania tvárou dopredu vyberte dojčenskú vložku. ²⁸

3. Umiestnite jazýčky pracky oproti magnetickej oblasti na vonkajšej strane zosilnenej detskej autosedačky tak, aby jazýčky držali na svojom mieste.
 4. Položte dieťa do zosilnenej detskej autosedačky a prevlečte mu obe ruky cez popruhy.
 5. Zapnite sponu.
 6. Potiahnite nastavovací popruh nadol a nastavte ho na správnu dĺžku, aby ste sa uistili, že je vaše dieťa správne zaistené. ²⁹
 7. Stlačte tlačidlo zámku otáčania ³⁰⁻¹ a pritom otočte sedačku do režimu smerovania tvárou dopredu. ³⁰⁻²
- ! Keď je sedačka otočená na mieste a správne zaistená, tlačidlo otáčania zobrazí zelenú farbu, inak sa zobrazuje červená. ³⁰
- ! Vždy sa uistite, že je sedačka v uzamknutej polohe (smerovaní tvárou dozadu/dopredu), aj keď v nej nie je dieťa.
- ! Prípojky ISOFIX musia byť pripojené a zaistené na kotevných bodoch ISOFIX. ³¹⁻¹
- ! Oporná noha musí byť správne nainštalovaná so zelenou farbou indikátora. ³¹⁻²
- ! Vždy majte dieťa upevnené v popruhoch a riadne ich dotiahnite, aby ste odstránili všetky uvoľnené časti.
- ! NEPOUŽÍVAJTE režim smerom tvárou dopredu, kým dieťa nebude mať výšku aspoň 76 cm A vek aspoň 15 mesiacov.

Odpojenie mäkkých textílií

pozrite si obrázky ³² - ⁴⁰

Stlačením červeného tlačidla rozopnite pracku. ³²

Na odpojenie mäkkých textílií postupujte podľa krokov ³³ - ⁴⁰.

Ak budete chcieť pripojiť textilné prvky späť, zopakujte vyššie uvedené kroky v opačnom poradí.

Starostlivosť a údržba

- ! Čalúnenie uložte niekde mimo dosahu dieťaťa.
- ! Textilné prvky umývajte studenou vodou s teplotou do 30 °C.
- ! Nežehlite mäkké textilie.
- ! Mäkké textilie nebieľte ani chemicky nečistite.
- ! Na umývanie zosilnenej detskej autosedačky alebo základne nepoužívajte nezriedené čistiace prostriedky, benzín ani iné organické rozpúšťadlá. Môže to spôsobiť poškodenie zosilnenej detskej autosedačky.
- ! Textilné prvky nežmýkajte veľkou silou, aby ste ich vysušili. Mohlo by to na textilných prvkoch zanechať zvrásnenie.
- ! Textilné prvky vysušte ich zavesením do tieňa.
- ! Ak sa táto zosilnená detská autosedačka nebude dlhšie nepoužívať, vyberte ju zo sedadla vozidla.



SL Dobrodošli pri znamki Joie™

Kupili ste visokokakovosten certificiran in varen sistem za zadrževanje otrok. Ta izdelek je primeren za uporabo za otroke z višino do 105 cm in težo do 21 kg.

Natančno preberite ta navodila za uporabo in upoštevajte korake za namestitvev, saj je to EDINI način, da svojega otroka zaščitite pred resnimi telesnimi poškodbami ali smrtjo v primeru nesreče in mu zagotovite udobje v času uporabe.

Ta navodila za uporabo shranite za kasnejšo uporabo.

Potrdite

Za uporabo tega izboljšane sistema za zadrževanje otrok s priključki i-Size ISOFIX v skladu z Uredbo ZN št. 129/03 mora otrok izpolnjevati naslednje zahteve.

Usmerjenost nazaj: Otrokova višina 40 cm–105 cm/otrokova teža ≤ 21 kg;

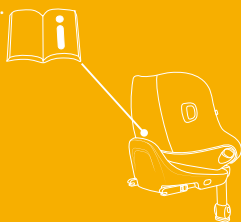
Usmerjenost naprej: Otrokova starost ≥ 15 m/otrokova višina 76 cm–105 cm/otrokova teža ≤ 21 kg;

Pred namestitvijo in uporabo izdelka preberite vsa navodila v tem priročniku.

**! POMEMBNO: SHRANITE ZA POZNEJŠO UPORABO.
NATANČNO PREBERITE.**

Navodila za uporabo shranite v prostoru za shranjevanje na hrbtni strani sedeža, kot je prikazano na desni sliki.

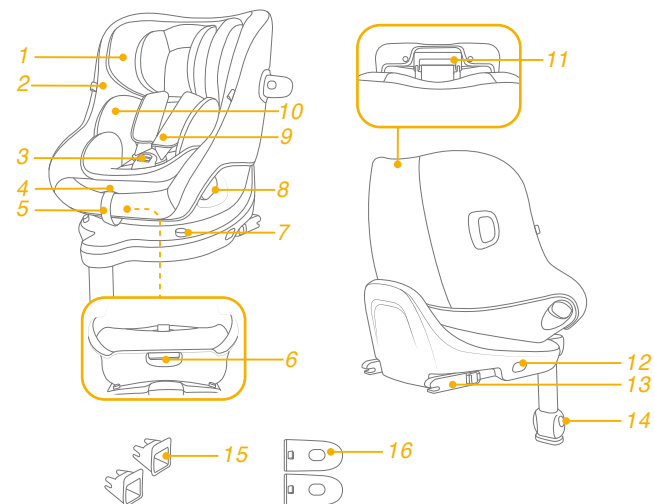
Informacije o garanciji najdete na spletni strani joiebaby.com



Seznam delov

Prepričajte se, da noben del ne manjka. Če kar koli manjka, se obrnite na prodajalca.

- | | |
|-------------------------------|---|
| 1 Opora za glavo | 10 Vložek |
| 2 Sedežna blazina | 11 Ročica za nastavev opore za glavo |
| 3 Sponka | 12 Prilagoditveni gumb ISOFIX |
| 4 Gumb za nastavev pasov | 13 Prikluček ISOFIX |
| 5 Prilagoditveni trak | 14 Gumb za nastavev podperne noge |
| 6 Gumb za nastavev naklona | 15 Vodila za priključke ISOFIX |
| 7 Vrtljivi zaklepni gumb | 16 Stranska zaščita pred udarci |
| 8 Gumb za obračanje | <small>*uporabljajte le na mestih ob vratih</small> |
| 9 Prevleki za ramenska pasova | |



OPOZORILO

- ! Poskrbite, da so togi elementi in plastični deli izboljšanega sistema za zadrževanje otrok postavljeni in nameščeni tako, da ne obstaja možnost, da se ujamejo zaradi premičnega sedeža ali med vrata vozila pri vsakodnevni uporabi vozila.
- ! Vzvratno obrnjenih ojačanih sistemov za zadrževanje otrok NE uporabljajte na sedežnih mestih, ki so opremljena z aktivno čelno zračno blazino.
- ! Za uporabo tega ojačanega sistema za zadrževanje otrok skladno s predpisom ZN št. 129/03 mora otrok izpolnjevati naslednje zahteve.
- ! Način usmerjenosti nazaj: Otrokova višina 40 cm–105 cm/največ 21 kg;
Način usmerjenosti naprej: Otrokova višina 76 cm–105 cm/največ 21 kg;
- ! **POMEMBNO – OTROKA NE OBRAČAJTE NAPREJ DOKLER NE DOPOLNI 15 MESECEV** (glejte navodila).
- ! Ojačani sistem za zadrževanje otrok morda ne bo ustrezal vsem odobrenim vozilom zaradi predalov za shranjevanje ali omejenega prostora do stropa vozila. V primeru pomislekov se obrnite na svojega trgovca ali stopite v stik z nami.
- ! Vse podporne noge morajo biti v stiku s tlemi vozila. Trakovi za zadrževanje otroka morajo biti prilagojeni telesu otroka in ne smejo biti zviti.

OPOZORILO

- ! Ko otroka namestite in pripnete v sedež, poskrbite, da je varnostni pas pravilno nameščen. Prepričajte se, da so medenični pasovi nameščeni dovolj nizko, da je medenica pravilno podprta.
- ! Izboljšani sistem za zadrževanje otrok morate zamenjati, kadar je bil izpostavljen močnim obremenitvam ob nezgodi. Nesreča lahko povzroči poškodbe, ki jih ne vidite.
- ! Spreminjanje naprave na kakršen koli način brez izrecnega dovoljenja strokovnjakov ali proizvajalca je strogo prepovedano. Prosimo, da natančno upoštevate proizvajalčeva navodila za namestitev.
- ! Izboljšanega sistema za zadrževanje otrok ne izpostavljajte sončni svetlobi, ker se lahko preveč segreje in postane prevroč za otrokovo kožo. Vedno z roko preverite temperaturo izboljšanega sistema za zadrževanje otrok, preden vanj namestite otroka.
- ! Otroka NE pustite v izboljšanem sistemu za zadrževanje otrok brez nadzora.
- ! Prtljago ali druge predmete, ki bi v primeru trčenja lahko povzročili telesne poškodbe, morate ustrezno zavarovati.
- ! Ojačanega sistema za zadrževanje otrok NE uporabljajte brez mehkih delov.
- ! Uporabljajte samo mehke dele, ki jih je priporočil proizvajalec, saj so sestavni del zmogljivosti sistema za zadrževanje otrok.

OPOZORILO

- ! **Pred nakupom preverite, če je ta izboljšani sistem za zadrževanje otrok mogoče ustrezno namestiti v vozilo.**
- ! **Ojačani sistem za zadrževanje otrok NE zagotavlja popolne zaščite pred poškodbami v primeru nezgode. Vendar se s pravilno uporabo ojačanega sistema za zadrževanje otrok zmanjša nevarnost hudih poškodb ali smrti otroka.**
- ! **Ojačanega sistema za zadrževanje otrok NE nameščajte brez upoštevanja teh navodil, sicer lahko resno ogrozite otrokovo varnost, kar lahko povzroči hude poškodbe ali smrt.**
- ! **Ojačanega sistema za zadrževanje otrok NE uporabljajte, če kateri del manjka ali je poškodovan.**
- ! **Otrok naj NE nosi (pre)velikih oblačil, sicer ga trakovi ramenskega varnostnega pasu in mednožni trak morda ne bodo pravilno in varno držali.**

V nujnem primeru



V nujnem primeru ali v primeru nesreče je pomembno, da otroku takoj nudite prvo pomoč in obiščete zdravnika.

Informacije o izdelku

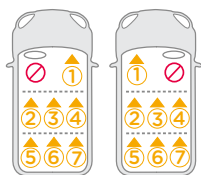
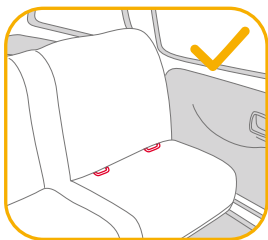
1. To je ojačan sistem za zadrževanje otrok i-Size. V skladu z Uredbo ZN št. 129 je homologiran za uporabo na sedežih vozila, za katera proizvajalec vozila v navodilih za uporabo vozila navaja, da so združljivi s standardom i-Size.
2. Če ste v dvomih, se obrnite na proizvajalca ali prodajalca ojačanega sistema za zadrževanje otrok.

Materiali	Plastika, kovina, tkanina
Št. patenta	V postopku pridobitve patenta

Izberite svojo namestitvev

	Velikost otroka	Način namestitve	Slika za namestitvev	Referenčna starost	Položaj sedeža
ECE R129	40 cm-105 cm/ ≤ 21 kg	Usmerjenost: nazaj		Približno 4 leta	Položaj 1-5
	76 cm-105 cm/ ≤ 21 kg	Usmerjenost: naprej		od 15 mesecev do pribl. 4 let	Položaj 1-5

Opozorila glede namestitvev



Uporabljajte stransko zaščito pred udarci

glejte slike 1 - 2

- Ojačan sistem za zadrževanje otrok je dobavljen s snemljivo stransko zaščito pred udarci. Stransko zaščito pred udarci vstavite na strani, ki je najbližja vratom. Namestitvev prikazana na sliki 1.
- Pritisnite gumb za sprostitev, da odstranite zaščito pred bočnimi udarci. 2

Nastavljanje višine opore za glavo in ramenskih varnostnih pasov

glejte slike 3 - 6

Nastavite višino opore za glavo in preverite, ali sta ramenska varnostna pasova na pravilni višini glede na slike 3 in 4 in 5 in 6.

! Pri uporabi načina usmerjenosti nazaj mora biti višina za ramenski varnostni pas poravnana z ali tik pod rameni otroka. 3

! Pri uporabi načina usmerjenosti naprej mora biti višina za ramenski varnostni pas poravnana z ali tik nad rameni otroka. 4

Pritisnite ročico za nastavitev opore za glavo 5 in povlecite navzgor ali potisnite navzdol oporo za glavo, dokler se ne zaskoči v enem izmed 6 položajev, kot je prikazano na sliki 6.

Nastavitev naklona

glejte slike 7 - 8

Pritisnite gumb za nastavitev naklona, da sistem za zadrževanje otrok nastavite v zeleni položaj. 7 in 8.

Za način pripenjanja v položaju usmerjenosti nazaj in naprej lahko uporabite 5 položajev naklona. 8

Namestitev podnožja

glejte slike 9 - 15

1. Vstavite vodila ISOFIX za pomoč pri namestitvi. 9
2. Pritisnite gumb za nastavev ISOFIX, če želite ISOFIX iztegniti. 11 -1 in 11 -2
3. Zagotovite, da sta oba priključka ISOFIX dobro pritrjena v pritrilni točki ISOFIX. Barve na obeh priključkih ISOFIX morajo biti popolnoma zelene. 12 -1
- ! Medtem ko sedež potiskate nazaj, pritisnite gumb za nastavev ISOFIX, dokler sedež ne pride v stik z naslonjalom sedeža vozila.
4. Ko ISOFIX pritrdite, podporno nogo povlecite do tal. Če indikator podporne noge sveti zeleno, je noga nameščena pravilno. 12 -2
5. Pritisnite gumb za sprostitve podporne noge in nato nastavite dolžino podporne noge. 12 -3
- ! Vedno zagotovite, da ima podporna noga neposreden stik s tlemi in je v zaklenjenem položaju, tudi kadar otroku ni v sedežu.

Odstranjevanje sedeža

1. Za odstranjevanje iz vozila pritisnite gumb za nastavev priključka ISOFIX in podnožje povlecite s sedeža. Nato pritisnite in priključke povlecite stran od priključka ISOFIX v vozilu. 14
2. Poškodbo med prevažanjem preprečite tako, da pritisnete prilagoditveni gumb ISOFIX 15 -1 in v celoti upognete priključek. 15 -2

Uporaba v načinu usmerjenosti nazaj

(Višina otroka 40 cm-105 cm/teža otroka \leq 21 kg/ dojenček - 4. leta starosti)

glejte slike 16 - 23

! Ojačan sistem za zadrževanje otrok namestite na zadnji sedež vozila, nato vanj namestite otroka.

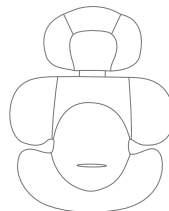
Pritisnite vrtljivi gumb, da ga zavrtite in s strani otroka lažje položite v sedež/ga vzamete ven, nato sedež zavrtite v položaj usmerjenosti nazaj. 16 in 17

! Vrtljivi gumb pritisnite na obeh straneh, da zavrtite ojačani sistem za zadrževanje otrok.

Pripenjanje otroka

1. Ramenska varnostna pasova podaljšate s pritiskom na gumb za prilagoditev varnostnega pasu, hkrati pa izvlečete ramenska pasova, da ju sprostite. 18
2. S pritiskom na rdeči gumb odpnite sponko. 19
3. Sponki pritrdite na obe strani sedeža, kot je prikazano 20 in si tako olajšajte nameščanje otroka v sedež v načinu usmerjenosti nazaj.

Uporaba vložka za dojenčke



Priporočamo, da vložek za dojenčka uporabljate, dokler je otrok manjši od 60 cm, in ga je mogoče uporabljati, dokler otrok vložka ne preraste. Vložek za dojenčke poveča stransko zaščito pred udarci.

4. Posedite otroka v ojačani sistem za zadrževanje otroka in namestite pasova čez ramena.
 5. Zapnite pasova. Glejte sliko **21**
 6. Prilagoditveni trak povlecite navzdol in prilagodite njegovo dolžino, da zagotovite, da je otrok ustrezno zavarovan. **22**
- ! Otrok naj bo vedno varno pripet s pasom, tako da odstranite ohlapnost pasov.
 - ! Prepričajte se, da je med otrokom in ramenskima varnostnima pasovoma prostora za približno debelino ene roke.
 - ! Ko sedež zavrtite na mestu in se ustrezno zaskoči, bo vrtljivi gumb svetil zeleno, v nasprotnem primeru pa rdeče. **23**
 - ! Vedno se prepričajte, da je sedež v zaklenjenem položaju (usmerjenost nazaj/naprej), tudi če otrok ni v njem.

Uporaba v načinu usmerjenosti naprej

(Otrokova višina 76–105 cm/otrokova teža ≤ 21 kg/15 mesecev – pribl. 4 leta starosti)

glejte slike **24 - 31**

- ! Ojačan sistem za zadrževanje otrok namestite na zadnji sedež vozila, nato vanj namestite otroka.
- Pritisnite vrtljivi gumb, da ga zavrtite in s strani otroka lažje položite v sedež/ga vzamete ven, nato sedež zavrtite v položaj usmerjenosti naprej. **24 in 25**
- ! Vrtljivi gumb pritisnite na obeh straneh, da zavrtite ojačani sistem za zadrževanje otrok.

Pripenjanje otroka

1. Ramenska varnostna pasova podaljšate s pritiskom na gumb za prilagoditev varnostnega pasu, hkrati pa izvlečete ramenska pasova, da ju sprostite. **26**
 2. S pritiskom rdečega gumba odprite sponko varnostnih pasov. **27**
- ! V načinu usmerjenosti odstranite vložek za dojenčke. **28**

3. Jezička zaponke namestite na magnetno območje zunanje strani izboljšanega sistema za zadrževanje otrok, da sta jezička ustrezno fiksirana.
 4. Posedite otroka v ojačani sistem za zadrževanje otroka in namestite pasova čez ramena.
 5. Zapnite pasova.
 6. Prilagoditveni trak povlecite navzdol in prilagodite njegovo dolžino, da zagotovite, da je otrok ustrezno zavarovan. **29**
 7. Pritisnite vrtljivi zaklepni gumb **30-1**, medtem ko sedež zavrtite v način usmerjenosti naprej. **30-2**
- ! Ko sedež zavrtite na mestu in se ustrezno zaskoči, bo vrtljivi gumb svetil zeleno, v nasprotnem primeru pa rdeče. **30**
 - ! Vedno se prepričajte, da je sedež v zaklenjenem položaju (usmerjenost nazaj/naprej), tudi če otrok ni v njem.
 - ! Priključka ISOFIX morata biti pritrjena in fiksirana na pritrtilnih točkah ISOFIX. **31-1**
 - ! Podporna noga mora biti pravilno nameščena in indikator mora svetiti zeleno. **31-2**
 - ! Otrok naj bo vedno varno pripet s pasom, tako da odstranite ohlapnost pasov.
 - ! NE uporabljajte načina usmerjenosti naprej, dokler otrok ni velik vsaj 76 cm IN star 15 mesecev.

Odstranjevanje mehkih delov

glejte slike **32 - 40**

- Pritisnite rdeči gumb, da odprite sponko. **32**
- Za odstranitev mehkih delov **33 - 40** sledite naslednjim korakom. Mehke dele namestite nazaj, tako da zgornje korake ponovite v obratnem vrstnem redu.

Nega in vzdrževanje

- ! Blazino shranite zunaj dosega otrok.
- ! Mehke dele operite s hladno vodo do 30 °C.
- ! Mehkih delov ne likajte.
- ! Mehkih delov ne belite in jih ne čistite s kemičnim čiščenjem.
- ! Ojačanega sistema za zadrževanje otrok oziroma podnožja ne čistite z nerazredčenimi čistili bencinom ali drugim organskim topilom. Lahko poškodujete ojačani sistem za zadrževanje otrok.
- ! Mehkih delov ne ožemajte z veliko silo, da bi jih posušili. V nasprotnem primeru lahko na mehkih delih ostanejo gube.
- ! Mehke dele obesite v senco, da se posušijo.
- ! Če izboljšanega sistema za zadrževanje otrok dalj časa ne nameravate uporabljati, ga odstranite s sedeža vozila.



RU Вас приветствует компания Joie™!

Вы приобрели высококачественное полностью сертифицированное детское автокресло. Данное автокресло предназначено для детей ростом до 105 см и весом до 21 кг.

Внимательно прочтите настоящее руководство по эксплуатации и соблюдайте инструкции по установке, ведь ТОЛЬКО так вы сможете защитить своего ребенка от серьезных травм и летального исхода в случае аварии, а также обеспечить ему комфорт во время использования данного изделия.

Сохраните настоящее руководство по эксплуатации для дальнейшего использования.

Проверьте!

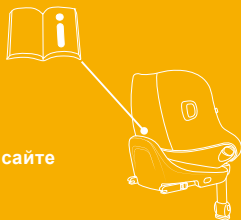
Для использования улучшенного детского автокресла Joie с креплением i-Size ISOFIX в соответствии с Правилем № 129/03 ООН параметры ребенка должны соответствовать указанным ниже требованиям.

Положение лицом против направления движения: рост ребенка: 40-105 см/ вес ребенка ≤ 21 кг; Положение лицом по направлению движения: Возраст ребенка ≥ 15 мес./ Рост ребенка 76-105 см/ Вес ребенка ≤ 21 кг;

Перед установкой и использованием данного изделия прочтите все инструкции в настоящем руководстве.

**! ВАЖНО! СОХРАНИТЕ ДЛЯ ИСПОЛЬЗОВАНИЯ В БУДУЩЕМ.
ПРОЧИТЕ ВНИМАТЕЛЬНО!**

Храните руководство по эксплуатации в отсеке для хранения, который находится на обратной стороне сиденья, как показано на рисунке справа.

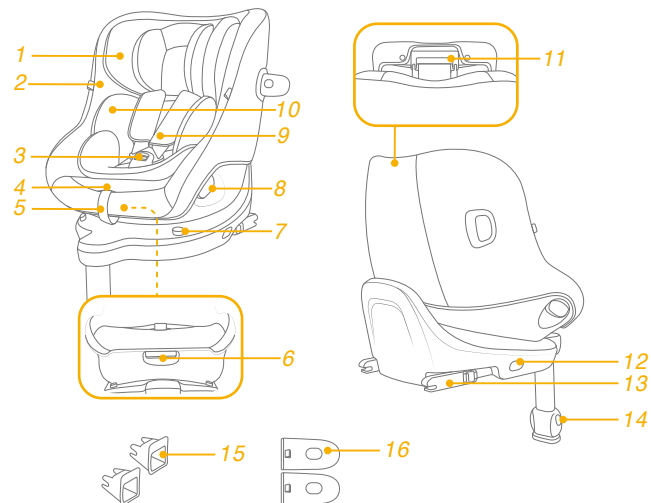


Сведения о гарантии опубликованы на веб-сайте joiebaby.com

Спецификация деталей

Убедитесь в наличии всех деталей. В случае отсутствия какой-либо из деталей обратитесь в магазин, где было приобретено изделие.

- | | |
|--------------------------------|---|
| 1 Подголовник | 10 Вкладыш |
| 2 Подкладка сиденья | 11 Рычаг для регулировки подголовника |
| 3 Пряжка | 12 Кнопка регулятора ISOFIX |
| 4 Кнопка регулировки ремней | 13 Крепление ISOFIX |
| 5 Регулировочный ремень | 14 Кнопка регулировки опорной ножки |
| 6 Кнопка регулировки наклона | 15 Направляющие фиксаторов ISOFIX |
| 7 Фиксатор переднего колеса | 16 Боковой защитный экран |
| 8 Кнопка поворота | *использование со стороны двери является обязательным |
| 9 Накладки для плечевых ремней | |



ВНИМАНИЕ

- ! ПРИ установке жесткие элементы конструкции и пластмассовые детали улучшенного детского автокресла должны располагаться и устанавливаться так, чтобы исключить вероятность их зажатия подвижным сиденьем или дверью автомобиля в процессе повседневной эксплуатации автомобиля.
- ! ЗАПРЕЩАЕТСЯ использовать улучшенное детское автокресло в положении лицом против направления движения на сиденьях, оснащенных активными фронтальными подушками безопасности.
- ! Для использования улучшенного детского автокресла в соответствии с Правилom ООН № 129/03 ребенок должен соответствовать указанным ниже требованиям.
- ! Положение лицом против направления движения: рост ребенка 40–105 см/ макс. вес: 21 кг;
Положение лицом по направлению движения: рост ребенка 76–105 см/ макс. вес: 21 кг;
- ! ВАЖНО! НЕ УСТАНОВЛИВАЙТЕ АВТОКРЕСЛО В НАПРАВЛЕНИИ ДВИЖЕНИЯ, ЕСЛИ РЕБЕНКУ НЕ ИСПОЛНИЛОСЬ 15 МЕСЯЦЕВ (См. инструкции).
- ! Улучшенное детское автокресло подходит для установки не во всех разрешенных автомобилях в связи с размещением отсеков для хранения или ограниченным пространством до крыши автомобиля. В случае сомнений обратитесь к продавцу или напишите нам.
- ! Опорная ножка должна упираться в пол автомобиля, а любые ремни, удерживающие ребенка, должны быть отрегулированы по размеру его тела и не перекручены.

ВНИМАНИЕ

- ! Поместив ребенка в улучшенное детское автокресло, следует правильно пристегнуть его ремнями безопасности. Убедитесь, что поясная часть ремня расположена внизу и плотно фиксирует область таза.
- ! Данное улучшенное детское автокресло следует заменить, если оно подверглось высоким нагрузкам во время аварии. При аварии в данном изделии могут образоваться скрытые повреждения.
- ! Помните об опасности внесения любых изменений и дополнений в конструкцию данного изделия без разрешения компетентного органа, а также об опасности несоблюдения инструкций по установке, предоставленных производителем улучшенного детского автокресла.
- ! Не допускайте попадания на улучшенное детское автокресло прямых солнечных лучей, т.к. оно может нагреться и вызвать дискомфорт при контакте с кожей ребенка. Перед тем, как поместить ребенка в улучшенное детское автокресло, всегда проверяйте на ощупь температуру ее поверхности.
- ! КАТЕГОРИЧЕСКИ ЗАПРЕЩАЕТСЯ оставлять ребенка в улучшенном детском автокресле без присмотра.
- ! Любой багаж и другие предметы должны быть надежно закреплены, так как они могут причинить травмы при аварии.
- ! ЗАПРЕЩАЕТСЯ ИСПОЛЬЗОВАТЬ улучшенное детское автокресло без тканевой обивки.
- ! Заменять тканевую обивку допускается только обивкой, рекомендованной производителем, т.к. тканевая обивка является неотъемлемой частью конструкции данного детского удерживающего устройства.

ВНИМАНИЕ

- ! Перед покупкой данного улучшенного детского автокресла следует удостовериться, что его можно правильно установить в вашем автомобиле.
- ! Ни одно улучшенное детское автокресло НЕ гарантирует полную защиту от травм в случае аварии. Однако правильное использование данного улучшенного детского автокресла уменьшает риск причинения тяжелых травм или смерти ребенка.
- ! ЗАПРЕЩАЕТСЯ устанавливать данное улучшенное детское автокресло с нарушением инструкций, изложенных в настоящем руководстве. Это создает значительный риск причинения травм или смерти ребенка.
- ! ЗАПРЕЩАЕТСЯ использовать улучшенное детское автокресло, у которого имеются повреждения или отсутствуют детали.
- ! ЗАПРЕЩАЕТСЯ одевать ребенка в одежду большого размера, так как при этом невозможно правильно и надежно пристегнуть ребенка ремнями за плечи и между ног.

Чрезвычайные ситуации

В случае чрезвычайного происшествия или аварийной ситуации следует незамедлительно оказать ребенку первую помощь и обратиться к врачу.

Информация об изделии

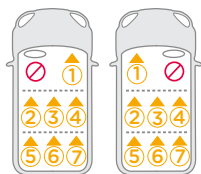
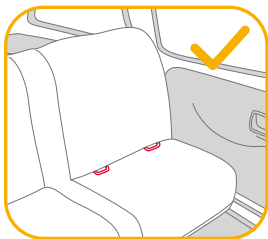
1. Это улучшенное детское удерживающее устройство типа i-Size. Оно утверждено Правилom ООН № 129 для установки на автомобильных сиденьях, совместимых со стандартом "i-Size", согласно информации производителей автомобилей, которая содержится в руководстве к автомобилям.
2. В случае появления сомнений обращайтесь к производителю или продавцу улучшенного детского удерживающего устройства.

Материалы Пластик, металл, ткань
Номер патента Патенты оформляются

Выберите способ установки

ECE R129	Параметры ребенка	Способ установки	Иллюстрация установки	Примерный возраст	Позиция сиденья
	40 - 105 см/ ≤21 кг	Положение лицом против направления движения		Примерно 4 года	Позиция 1-5
76 - 105 см/ ≤21 кг	Положение лицом по направлению движения		15 месяцев - примерно 4 года	Позиция 1-5	

Вопросы установки



Использование бокового защитного экрана

См. рисунки ① - ②

- Улучшенное детское автокресло поставляется со съёмным боковым защитным модулем. Боковой защитный модуль устанавливается как можно ближе к двери. Установка показана на рис. ①.
- Нажмите на кнопку фиксатора, чтобы снять боковой защитный экран. ②

Регулировка высоты подголовника и плечевых ремней

См. рисунки ③ - ⑥

Отрегулируйте подголовник и проверьте высоту плечевых ремней по рис. ③ и ④ и ⑤ и ⑥

- ! В режиме лицом против направления движения плечевые ремни должны располагаться на уровне или ниже плеч ребенка. ③
- ! В режиме лицом по направлению движения плечевые ремни должны располагаться на уровне или немного выше плеч ребенка. ④

Нажмите на рычаг для регулировки подголовника ⑤ и при этом потяните подголовник вверх или вниз так, чтобы он защелкнулся в одном из 6 положений, как показано на рис. ⑥.

Регулировка наклона

См. рисунки ⑦ - ⑧

Нажмите на кнопку регулировки наклона и установите улучшенное детское автокресло в нужное положение. ⑦ и ⑧.

В режимах против направления движения и по направлению движения предусмотрено 5 углов наклона. ⑧

Установка основания

См. рисунки 9 - 15

1. Вставьте направляющие ISOFIX, которые помогут вам выполнить установку. 9
2. Нажмите на кнопку регулятора ISOFIX, чтобы выдвинуть фиксаторы ISOFIX. 11 -1 и 11 -2
3. Убедитесь в том, что оба фиксатора ISOFIX надежно закреплены в точках крепления ISOFIX. Цвет индикаторов обоих фиксаторов ISOFIX должен быть зеленым. 12 -1
- ! Нажмите на кнопку регулятора ISOFIX еще раз и прижмите сиденье к спинке кресла автомобиля.
4. Прикрепив фиксаторы ISOFIX, опустите опорную ножку до пола. Если индикатор опорной ножки зеленый, это значит, что опорная ножка установлена правильно. 12 -2
5. Сожмите кнопку фиксатора опорной ножки и отрегулируйте длину ножки. 12 -3
- ! Всегда проверяйте, чтобы опорная ножка полностью упиралась в пол и была зафиксирована, даже если в автокресле нет ребенка.

Снятие сиденья

1. Чтобы извлечь из автомобиля, нажмите на кнопку регулятора ISOFIX и потяните основание от спинки сиденья автомобиля. Затем нажмите и выведите фиксаторы из системы крепления ISOFIX автомобиля. 14
2. Во избежание повреждений во время движения нажмите на кнопку регулятора ISOFIX 15 -1 и полностью сложите фиксатор. 15 -2

Установка в режиме лицом против направления движения

(Рост ребенка: 40-105 см/ вес ребенка ≤ 21 кг/ с младенчества до 4 лет)

См. рисунки 16 - 23

! Установите улучшенное детское автокресло на заднее сиденье автомобиля. Затем посадите ребенка в улучшенное детское автокресло.

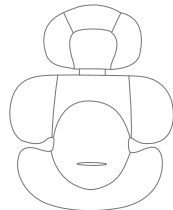
Нажмите на кнопку поворота, чтобы повернуть автокресло для удобства посадки/ высадки ребенка сбоку, а затем поверните автокресло в положение лицом против направления движения автомобиля. 16 и 17

! Нажмите на кнопку поворота с любой стороны, чтобы повернуть улучшенное детское автокресло.

Фиксация ребенка

1. Чтобы увеличить длину плечевых ремней, нажмите на кнопку регулировки ремней и вытащите плечевой ремень на необходимую длину. 18
2. Нажмите на красную кнопку и растяните ремень. 19
3. Зафиксируйте пряжки с обеих сторон сиденья, как показано на рис. 20, чтобы удобнее усадить ребенка в положении лицом против направления движения.

Использование вкладыша для младенцев



Рекомендуется использовать весь вкладыш для младенцев ростом до 60 см или до тех пор, пока ребенок не перерастет этот вкладыш. Вкладыш для младенцев улучшает защиту от ударов.

- Посадите ребенка в улучшенное детское автокресло и поместите обе руки под ремни.
- Застегните пряжку. См. рис. 21
- Потяните вниз регулировочный ремень на нужную длину, чтобы хорошо зафиксировать ребенка. 22
- !** Обязательно пристегивайте ребенка ремнями. Ремни должны быть хорошо натянуты, без провисания.
- !** Расстояние между ребенком и плечевыми ремнями должно примерно соответствовать толщине ладони.
- !** Если сиденье собрано и повернуто на место правильно, кнопка поворота станет зеленой; иначе она будет красной. 23
- !** Обязательно проверяйте, чтобы улучшенное детское автокресло было зафиксировано (в положении лицом по направлению движения или против направления движения), независимо от нахождения в нем ребенка.

Установка в режиме лицом по направлению движения

(Рост ребенка: 76-105 см/ вес ребенка: ≤ 21 кг/ 15 месяцев - приблизительно 4 года)

См. рисунки 24 - 31

! Установите улучшенное детское автокресло на заднее сиденье автомобиля. Затем посадите ребенка в улучшенное детское автокресло.

Нажмите на кнопку поворота, чтобы повернуть автокресло для удобства посадки/ высадки ребенка сбоку, а затем поверните автокресло в положение лицом по направлению движения автомобиля. 24 и 25

! Нажмите на кнопку поворота с любой стороны, чтобы повернуть улучшенное детское автокресло.

Фиксация ребенка

- Чтобы увеличить длину плечевых ремней, нажмите на кнопку регулировки ремней и вытащите плечевой ремень на необходимую длину. 26
- Нажмите на красную кнопку и расстегните пряжку ремней. 27
- !** Извлеките вкладыш для младенцев в положении лицом по направлению движения. 28

- Застежки пряжки следует поднести к магнитам на внешней стороне улучшенного детского автокресла, чтобы их зафиксировать.
- Посадите ребенка в улучшенное детское автокресло и поместите обе руки под ремни.
- Застегните пряжку.
- Потяните вниз регулировочный ремень на нужную длину, чтобы хорошо зафиксировать ребенка. 29
- Нажмите на кнопку фиксатора передних колес 30-1, поворачивая сиденье в положение лицом по направлению движения. 30-2
- !** Если сиденье собрано и повернуто на место правильно, кнопка поворота станет зеленой, иначе она будет красной. 30
- !** Обязательно проверяйте, чтобы улучшенное детское автокресло было зафиксировано (в положении лицом по направлению движения или против направления движения), независимо от нахождения в нем ребенка
- !** Фиксаторы ISOFIX необходимо закрепить в точках крепления ISOFIX. 31-1
- !** Правильно установите опорную ножку, чтобы индикатор стал зеленого цвета. 31-2
- !** Обязательно пристегивайте ребенка ремнями. Ремни должны быть хорошо натянуты, без провисания.
- !** ЗАПРЕЩАЕТСЯ использование в положении лицом по направлению движения при перевозке детей ростом менее 76 см и возрастом менее 15 месяцев.

Снятие тканевых деталей

См. рисунки 32 - 40

Нажмите красную кнопку, чтобы расстегнуть пряжку. 32

Выполните шаги 33 - 40, чтобы снять тканевые детали.

Чтобы снова надеть тканевые детали, выполните приведенные выше шаги в обратном порядке.

Уход за изделием

- ! Храните подкладку в месте, недоступном для детей.
- ! Тканевые детали следует стирать в холодной воде с температурой не более 30°C.
- ! Запрещается гладить тканевые детали.
- ! Запрещается отбеливать и подвергать тканевые детали химчистке.
- ! Запрещается использовать неразбавленные моющие средства, бензин и другие органические растворители для стирки улучшенного детского автокресла или основания. Это может привести к повреждению улучшенного детского автокресла.
- ! Не отжимайте тканевые детали, свернув их с усилием. После этого на тканевых деталях могут образоваться складки.
- ! Вывешивайте тканевые детали для сушки в тени.
- ! Если улучшенное детское автокресло не используется в течение длительного времени, извлекайте его из автомобиля.



DK Velkommen til Joie™

Du har købt en fuldt certificeret autostol af høj kvalitet. Dette produkt er velegnet til brug af børn med højde op til 105 cm og en vægt op til 21 kg.

Læs denne brugsvejledning omhyggeligt og følg alle monteringstrinene, da dette er den ENESTE måde at beskytte dit barn mod alvorlige skader eller dødsfald i tilfælde af en ulykke, samt den eneste måde at dit barn kan sidde behageligt i autostolen.

Behold denne brugsvejledning til senere reference.

Bekræft venligst

For at bruge denne forstærket Joie-autostol med i-Size ISOFIX-spænder, der er i overensstemmelse med FN-forordningen nr. 129/03 skal dit barn opfylde følgende krav.

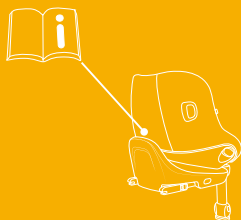
Bagudvendt: Barnets højde 40-105 cm/Barnets vægt ≤ 21 kg;
Fremadvendt: Barnets alder ≥ 15 m/Barnets højde 76-105 cm/Barnets vægt ≤ 21 kg;

Læs alle instruktionerne i denne vejledning, inden produktet monteres og tages i brug.

**! VIGTIGT: GEM DENNE VEJLEDNING TIL SENERE BRUG.
LÆS DENNE VEJLEDNING OMHYGGELIGT.**

Behold denne brugervejledning i rummet bag på sædet, som vist på billedet til højre.

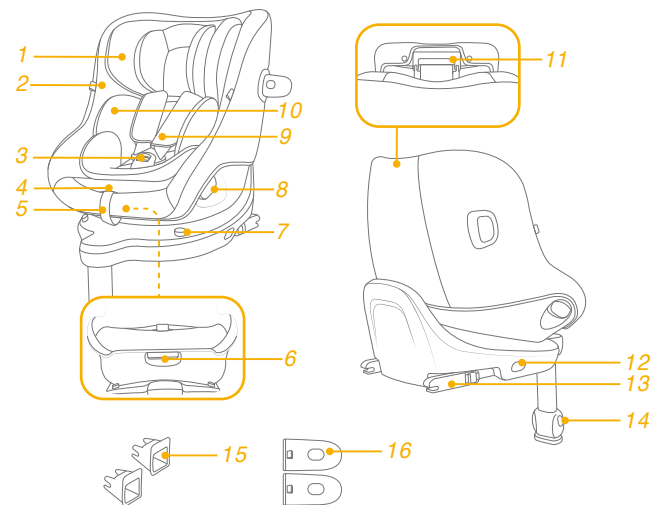
Besøg vores websted på joiebaby.com for at få oplysninger om garanti



Liste over dele

Kontroller, at der ikke mangler nogen dele. Kontakt venligst din forhandler, hvis noget mangler.

- | | |
|----------------------------------|--------------------------------------|
| 1 Nakkestøtte | 10 Indlæg |
| 2 Sædepude | 11 Justeringshåndtag til nakkestøtte |
| 3 Spænde | 12 ISOFIX-justeringsknap |
| 4 Justeringsknap til sele | 13 ISOFIX-spænde |
| 5 Selejustering | 14 Justeringsknap til benstøtte |
| 6 Knap til justering af ryglænet | 15 ISOFIX-spændestyk |
| 7 Drejelås | 16 Sideskærm |
| 8 Knap til at dreje enheden | *må kun bruges på dørsiden |
| 9 Skulderselebetræk | |



ADVARSEL

- ! Når autostolen monteres, skal du holde øje med at dens hårde genstande og plastdele ikke kan komme i klemme i et bevægeligt sæde eller i en køretøjets døre ved dagligt brug af køretøjet.
- ! Autostolen må IKKE bruge i bagudvendt stilling på sæder med en aktiv airbag foran.
- ! For at bruge denne autostol i henhold til FN regulativ nr. 129/03, skal dit barn opfylde følgende krav.
- ! Bagudvendt stilling: Børnehøjde 40-105 cm / maks. 21 kg;
Fremadvendt stilling: Barnets højde 76-105 cm / maks. 21 kg;
- ! VIGTIGT - AUTOSTOLEN MÅ IKKE VENDRE FREMAD, FØR BARNET ER OVER 15 MÅNEDER (se vejledningerne)
- ! Autostolen passer muligvis ikke i alle godkendte køretøjer på grund af opbevaringsrum eller manglende plads til køretøjets tag. Hvis du er i tvivl, bedes du kontakte din forhandler eller kontakt os.
- ! Eventuelle støtteben skal være i kontakt med køretøjets gulv, og alle seler der fastholder barnet, skal tilpasses barnets krop, og de må ikke være foldede.

ADVARSEL

- ! Når dit barn er anbragt i denne autostol, skal sikkerhedsselen bruges korrekt. Sørg for, at alle skødestropper sidder lavt, så bækkenet sidder fast.
- ! Hvis denne forstærket autostol udsættes for voldsomme belastninger i en ulykke, skal den skiftes. En ulykke kan forårsage skader, som ikke kan ses.
- ! Vær opmærksom på faren ved at foretage ændringer eller tilføjelser til anordningen, uden godkendelse af den typegodkendende myndighed, og faren ved ikke at følge autostolens installationsvejledninger, der følger med produktet.
- ! Denne forstærkede autostol skal holdes væk fra sollys, da den ellers kan blive for varm for barnets hud. Mærk altid efter med en hånd, inden du anbringer barnet i autostolen.
- ! Efterlad ALDRIG dit barn i autostolen uden opsyn.
- ! Bagage eller andre genstande kan føre til skader i tilfælde af et sammenstød, og de skal derfor spændes ordentligt fast.
- ! Autostolen må IKKE bruges uden de bløde dele.
- ! De bløde dele må ikke erstattes med nogen andre dele, undtagen dele der anbefales af producenten, da de bløde dele er en integreret del af autostolens funktion.

ADVARSEL

- ! **Kontroller, om denne autostol kan monteres korrekt i dit køretøj, før du køber det.**
- ! **INGEN autostol kan garantere en fuld beskyttelse imod kvæstelser ved en ulykke. Korrekt brug af denne autostol kan dog nedsætte risikoen for alvorlige kvæstelser eller dødsfald.**
- ! **Du MÅ IKKE montere autostolen uden at følge instruktionerne og advarslerne i denne brugsanvisning, da du ellers kan udsætte dit barn for alvorlig risiko for personskade eller dødsfald.**
- ! **Brug IKKE denne autostol, hvis den er beskadiget eller mangler dele.**
- ! **Barnet MÅ IKKE have for stort tøj på, da dette kan gøre, at barnet ikke spændes ordentligt og sikkert fast af skulderselerne og selerne mellem lårene.**

Nødsituation



I tilfælde af en nødsituation eller ulykke er det vigtigst, at dit barn straks får førstehjælp og lægebehandling.

Produktoplysninger

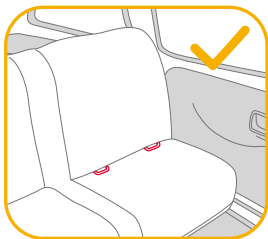
1. Dette er et forstærket i-Size autostolsystem. Det er - i henhold til FN-forordningen nr. 129 - godkendt til brug i i-Size-kompatible sæder i køretøjer, som er angivet af bilproducenterne i køretøjets brugervejledning.
2. Hvis du er i tvivl, skal du kontakte producenten af autostolen eller din forhandler.

Materialer	Plastik, metal, stof
Patentnummer	Afventer patent

Vælg din opstillingsmåde

	Barnets størrelse	Opstillingsmåde	Billede af opstilling	Referencealder	Sædestilling
ECE R129	40-105 cm/ ≤ 21 kg	Bagudvendt		Ca. 4 år	Stilling 1-5
	76-105 cm/ ≤ 21 kg	Fremadvendt		15 måneder til ca. 4 år	Stilling 1-5

Monteringsproblemer



Brug sideskærmen

Se billederne 1 - 2

1. Autostolen er udstyret med en aftagelig beskyttende sideskærm. Sæt beskyttelsespudden på siden, der er tættest på døren. Monteringen er vist i 1.
2. Tryk på frigivelsesknappen for, at fjerne sideskærmen. 2

Højdeindstilling af nakkestøtte og skulderseler

Se billederne 3 - 6

Juster nakkestøtten og sørg for, at skulderselen er i den korrekte højde ifølge 3&4&5&6

- ! Når autostolen bruges i bagudvendt stilling, skal højden på skulderselen passe med barnets skuldre. 3
 - ! Når autostolen bruges i fremadvendt stilling, skal højden på skulderselen være ved eller lige over barnets skuldre. 4
- Tryk justeringshåndtaget til nakkestøtten 5 ind og træk nakkestøtten op eller ned, indstil den klikker sig fast i en af de 6 stillinger, som vist i 6.

Indstilling af ryglænet

Se billederne 7 - 8

Tryk på knappen til justering af ryglænet, for at justere autostolen til den ønskede stilling. 7&8.

Der er 5 tilbagelænedede stillinger, der kan bruges både til i fremadvendt og bagudvendt stilling. 8

Montering af bunden

Se billederne ⁹ - ¹⁵

1. Sæt ISOFIX-styrene i for at hjælpe med monteringen. ⁹
2. Tryk på ISOFIX-justeringsknappen, for at udvide ISOFIX. ¹¹ -1&¹¹ -2
3. Sørg for, at begge ISOFIX-spænderne er sikkert fastgjort til deres ISOFIX-spændepunkt. Farven på indikatorerne på begge ISOFIX-spænderne skal være helt grøn. ¹² -1
- ! Tryk på ISOFIX-justeringsknappen igen, samtidig med at du trykker sædet tilbage, indtil det rører køretøjets sædets ryglæn.
4. Når ISOFIX-spændet er sat på, skal støttebenet trækkes mod bunden af køretøjet. Når indikatoren på støttebenet viser grøn, sidder støttebenet rigtigt. ¹² -2
5. Tryk på frigivelsesknappen til støttebenet, og tryk det opad. ¹² -3
- ! Sørg altid for, at støttebenet rører gulvet og er låst, selv når barnet ikke er i autostolen.

Fjernelse af autostolen

1. For at tage den ud af køretøjet, skal du trykke på ISOFIX-justeringsknappen og trække bunden ud af sædet. Tryk på spænderne og løs dem fra køretøjets ISOFIX-spændepunkter. ¹⁴
2. For at forhindre skade under transport, skal du trykke på ISOFIX-justeringsknappen ¹⁵ -1 og folde spændet helt sammen. ¹⁵ -2

Brug af autostolen i bagudvendt stilling

(Barnets højde 40-105 cm/Barnets vægt ≤ 21 kg/
spædbørn - 4 år gammel)

Se billederne ¹⁶ - ²³

! Stil autostolen på bagsædet i køretøjet, og put derefter barnet i autostolen.

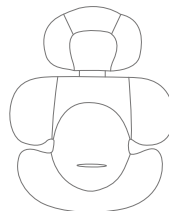
Tryk på knappen til at dreje autostolen, så barnet nemmere kan tages ud og puttes i stolen, og drej derefter autostolen til bagudvendt stilling. ¹⁶&¹⁷

! Tryk på knappen til at dreje autostolen på en af siderne, for at dreje autostolen.

Sådan spændes barnet fast

1. For at forlænge skulderselerne, skal du trykke på knappen til selejustering, mens du trækker skulderselerne ud for at løsne dem. ¹⁸
2. Lås spændet op ved, at trykke på den røde knap. ¹⁹
3. Spænd spænderne på begge sider af sædet, som vist på ²⁰ der er på begge sider af sædet, så det er nemmere at anbringe barnet i bagudvendt stilling.

Brug indlægget til spædbørn



Vi anbefaler at bruge indlægget, mens barnet er under 60 cm, eller indtil barnet er for stort til indlægget. Indlægget til spædbørn beskytter mere mod stød fra siden.

4. Anbring barnet i autostolen, og før begge arme gennem selerne.
 5. Lås spændet. Se venligst ²¹
 6. Træk selejusteringen nedad, og juster selen til den ønskede længde, så dit barn er spændt ordentligt fast. ²²
- ! Sørg altid for at barnet er spændt fast med selen, og at selen sidder ordentligt og ikke for løs.
 - ! Sørg for, at afstanden mellem barnet og skulderselerne er ca. den samme som tykkelsen af en hånd.
 - ! Når autostolen er drejet på plads og spænd rigtigt fast, viser drejeknappen grøn. Hvis ikke, er den rød. ²³
 - ! Sørg altid for, at autostolen er låst (i bagudvendt/fremadvendt stilling), også selvom barnet ikke er i autostolen.

Brug af autostolen i fremadvendt stilling

(Barnets højde 76-105 cm/Barnets vægt ≤ 21 kg/15 måneder - ca. 4 år gammel)

Se billederne ²⁴ - ³¹

- ! Stil autostolen på bagsædet i køretøjet, og put derefter barnet i autostolen.
- Tryk på knappen til at dreje autostolen, så barnet nemmere kan tages ud og puttes i stolen, og drej derefter autostolen til fremadvendt stilling. ²⁴ & ²⁵
- ! Tryk på knappen til at dreje autostolen på en af siderne, for at dreje autostolen.

Sådan spændes barnet fast

1. For at forlænge skulderselerne, skal du trykke på knappen til selejustering, mens du trækker skulderselerne ud for at løsne dem. ²⁶
 2. Lås selespændet op ved at trykke på den røde knap. ²⁷
- ! Fjern indlægget til spædbørn, når selepude-funktionen bruges. ²⁸

3. Placer spænderne mod det magnetiske område på ydersiden af autostolen, så spænderne holdes på plads.
 4. Anbring barnet i autostolen, og før begge arme gennem selerne.
 5. Lås spændet.
 6. Træk selejusteringen nedad, og juster selen til den ønskede længde, så dit barn er spændt ordentligt fast. ²⁹
 7. Tryk på knappen til drejelåsen ³⁰-1, samtidig med at autostolen drejes til fremadvendt stilling. ³⁰-2
- ! Når autostolen er drejet på plads og spænd rigtigt fast, viser drejeknappen grøn, Hvis ikke, er den rød. ³⁰
 - ! Sørg altid for, at autostolen er låst (i bagudvendt/fremadvendt stilling), også selvom barnet ikke er i autostolen.
 - ! ISOFIX-spænderne skal fastgøres og fastlåses til ISOFIX-spændepunkterne. ³¹-1
 - ! Støttebenet skal installeres korrekt, så den grønne indikator vises. ³¹-2
 - ! Sørg altid for at barnet er spændt fast med selen, og at selen sidder ordentligt og ikke for løs.
 - ! Brug IKKE autostolen i fremadvendt stilling, før barnet er mindst 76 cm høj OG 15 måneder gammel.

Sådan tages de bløde dele af

Se billederne ³² - ⁴⁰

- Tryk på den røde knap for at åbne låsebeslaget. ³²
- Følg trinene ³³ - ⁴⁰ for, at tage de bløde dele af.
- For at sætte de bløde dele på igen skal du gentage ovenstående trin i omvendt rækkefølge.

Pleje og vedligeholdelse

- ! Opbevar indlægget et sted uden for barnets rækkevidde.
- ! De bløde dele skal vaskes i koldt vand under 30 °C.
- ! De bløde dele må ikke stryges.
- ! De bløde dele må ikke vaskes med blegemiddel eller kemiske rengøringsmidler.
- ! Brug ikke ufortyndede rengøringsmidler, rensebenzin eller andre organiske opløsningsmidler til at vaske autostolen eller bunden. Det kan beskadige autostolen.
- ! Undgå at vride de bløde dele for meget, når de skal tørres. Det kan give de bløde dele folder.
- ! De bløde dele skal hænges til tørre i skyggen.
- ! Hvis den forstærkede babyautostol ikke skal bruges i længere tid, skal den tages ud af køretøjet.



HU Üdvözlí a Joie™

Ön egy kítűnő minőségű, teljes mértékben jóváhagyott biztonságos gyerekülést vásárolt. Ez a termék megfelelő legfennebb 105cm magasságú / 21kg súlyu gyerekeknek.

Olvassa el figyelmesen a használati utasítást és kövesse a szerelési lépéseket, mert ez az EGYETLEN mód arra, hogy megvédje gyermekét komoly sérülésektől vagy haláltól egy baleset esetén és hogy kényelmet biztosítson gyermekének a termék használata közben.

Kérjük, őrizze meg a használati útmutatót a jövőbeni felhasználásra.

Kérjük hagyja jóvá

Ahhoz, hogy ezt a Joie fejlett gyerekülést az UN 129/03. számú Szabványnak megfelelően tudja használni az i-Size ISOFIX csatolókkal, a gyermekének a következő követelményeknek kell megfelelnie.

Hátránézó: Gyerek magassága 40cm-105cm / Gyerek súlya ≤ 21kg;

Előrenézó: Gyerek életkora ≥ 15m/ Gyerek magassága 76cm-105cm/

Gyerek súlya ≤ 21kg;

A termék használata és szerelése előtt olvassa el az útmutatóban lévő összes utasítást.

! FONTOS: ŐRIZZE MEG A KÉSŐBBIEKRE.

KÉRJÜK OLVASSA EL FIGYELMESEN.

Kérjük őrizze meg a kezelési útmutatót az ülés hátoldalán levő fiókban, amint az ábra mutatja.

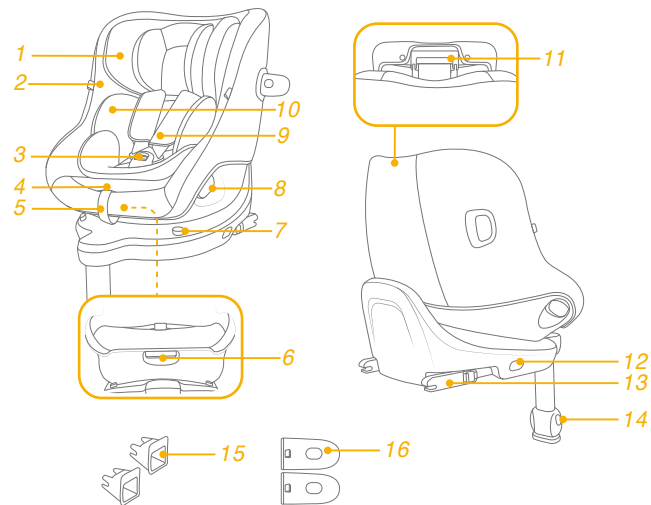


Garanciális információkért kérjük, látogasson el weboldalunkra a joiebaby.com oldalon.

Alkatrészek listája

Kérjük győződjön meg, hogy nincsenek hiányzó részek. Kérjük vegye fel a kapcsolatot a forgalmazóval, ha hiányzik valami.

- | | |
|-----------------------|--------------------------------|
| 1 Fejtámasz | 10 Betét |
| 2 Ülőspárna | 11 Fejtámasz állító kar |
| 3 Csatló | 12 ISOFIX állító gomb |
| 4 Hámszíj állító gomb | 13 ISOFIX csatoló |
| 5 Állító háló | 14 Terhelő láb állító gomb |
| 6 Döntés állító gomb | 15 ISOFIX csatoló vezeték |
| 7 Forgózár | 16 Oldalsó ütésvédő |
| 8 Forgató gomb | *csak ajtó oldalán használható |
| 9 Vállhámszíj borítók | |



FIGYELMEZTETÉS

- ! **LEGYEN** elővigyázatos hogy a fejlett gyerekülés kemény elemei és műanyag alkatrészei úgy legyenek szerelve és elhelyezve, hogy ne csípődhessenek be a mozdítható székekkel vagy a gépkocsi ajtajával, a gépkocsi mindennapos használata során.
- ! **NE** használja az előrenéző fejlett gyerekülés rendszert olyan ülés helyzetben ahol aktív első légzsák van szerelve.
- ! Ahhoz, hogy ezt fejlett gyerekülést az UN 129/03. számú Szabálynak megfelelően tudja használni, a gyermekének a következő követelményeknek kell megfelelnie.
- ! Hátranéző mód: Gyerek magassága 40cm-105cm / max 21kg;
Előrenéző mód: Gyerek magassága 76cm-105cm / max 21kg;
- ! **FONTOS - NE HASZNÁLJA ELŐRENÉZŐ HELYZETBEN MIELŐTT A GYEREK BETÖLTI A 15 HÓNAPOT** (Lásd az útmutatásokat).
- ! Előfordulhat, hogy a továbbfejlesztett gyermekbiztonsági rendszer nem minden jóváhagyott járműben fér el a tárolórekeszek vagy a jármű tetején lévő korlátozott hely miatt. Kétség esetén forduljon a kiskereskedőjéhez, vagy keressen meg minket.
- ! Bármely tartóláb a gépkocsi padlójával kell csatlakozzon és minden szíjpánt amely a gyereket tartja a gyerek testéhez kell legyen igazítva és a szíjpánt ne legyen megcsavarodva.

FIGYELMEZTETÉS

- ! Miután a gyereket a fejlett gyerekülésbe helyezte, a biztonsági övet helyesen kell használni. Bármilyen csípőhámot használjon lent, úgy tegye, hogy a medence szorosan álljon.
- ! A fejlett gyerekülést ki kell cserélni amennyiben az baleset során erős stressznek volt kitéve. Egy baleset okozhat olyan sérülést, amelyet nem láthat.
- ! Vegye figyelembe annak veszélyét, hogy bármilyen módosítást vagy hozzáadást végezzen az eszközön a megfelelő hivatal engedélye nélkül, és annak veszélyét hogy ha nem követi pontosan a szerelési útmutatót, amelyet a gyerekülés gyártója bocsátott rendelkezésére.
- ! Kérjük tartsa ezt a fejlett gyerekülést távol napsütéstől, mert túlforrósodhat a gyerek bőre számára. Mindig érintse meg a fejlett gyerekülést, mielőtt a gyereket behelyezné.
- ! **SOHA** ne hagyja a gyermekét felügyelet nélkül ebben a fejlett gyerekülésben.
- ! Minden csomagot vagy más olyan tárgyat amely ütközés esetén sérülést okozhat, megfelelően rögzíteni kell.
- ! A fejlett gyerekülést **NE HASZNÁLJA** a puha belsők nélkül.
- ! A puha belsőket nem szabad mással kicserélni, mint a gyártó által ajánlottal, mert a puha belső a gyerekülés szerves része.

FIGYELMEZTETÉS

- ! **Vásárlás előtt kérjük ellenőrizze, hogy a fejlett gyerekülés megfelelően beszerelhető a gépkocsijába.**
- ! **SEMMILYEN fejlett gyerekülés nem biztosít teljes védelmet egy baleset esetén. Ennek ellenére ennek a fejlett gyerekülésnek megfelelő használata csökkenti a gyermek súlyos sérülésének vagy halálának esélyét.**
- ! **NE szerelje fel ezt a fejlett gyerekülést anélkül, hogy követné a jelen kézikönyv utasításait, másképp komoly sérülés vagy halálveszélynek teheti ki a gyermekét.**
- ! **NE használja ezt a fejlett gyerekülést ha sérült, vagy részei hiányoznak.**
- ! **NE öltöztesse a gyermekét nagy méretű ruhába, ez megakadályozhatja, hogy , megfelelően bekösse a váll hámszíjakat és a lába közötti övet.**

Sürgősség



Sürgősség vagy baleset esetén a legfontosabb, hogy a gyerekek viselje gondját azonnali elsősegéllyel vagy orvosi kezeléssel.

Termékinformáció

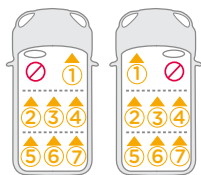
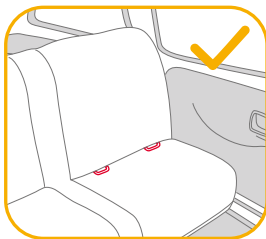
1. Ez egy i-Size Fejlett Gyerekülés Rendszer. Az UN 129. számú Szabványnak megfelelően engedélyezett a használata egy i-Size kompatibilis gépkocsiülésben, ahogy azt a gépkocsi gyártója leírja a használati utasításban.
2. Amennyiben kétsége lenne, tanácskozzon a Fejlett Gyerekülés Rendszer gyártójával vagy eladójával.

Anyag	Műanyag, fém, szövet
Szabványszám	Szabvány fenntartott

Válassza ki a szerelést

	Gyerek mérete	Szerelési mód	Szerelési ábra	Referencia életkor	Ülés helyzet
ECE R129	40cm-105cm/ ≤21kg	Hátránézó		Kb 4 év	1-5 pozíció
	76cm-105cm/ ≤21kg	Előrenéző		15 hónaptól kb 4 évig	1-5 pozíció

Szerelési problémák



Használja az oldalsó ütésvédőt

lásd a képeket 1 - 2

1. A fejlett gyerekülést eltávolítható oldalsó ütésvédővel szállítják. Helyezze be az oldalsó ütközésgátlót az ajtóhoz legközelebbi oldalon. A szerelés látható itt 1.
2. Nyomja meg a kiengedő gombot, hogy eltávolítsa az oldalsó ütésvédelmet. 2

Magasság állítása fejtámasznak és vállhámrsíjnak

lásd a képeket 3 - 6

Kérjük állítsa be a fejtámaszt és ellenőrizze, hogy a vállhámrsíjak a helyes magasságban vannak 3&4&5&6 szerint. 6

! Amikor hátránézó módban használja, a vállhámrsíj magassága a gyerek vállával egy vonalban vagy az alatt kell legyen. 3

! Amikor előrenéző módban használja, a vállhámrsíj magassága a gyerek vállával egy vonalban vagy az fölött kell legyen. 4

Nyomja meg a fejtámasz állító fogantyút 5 és közben húzza fel vagy nyomja le a fejtámaszt amíg a 6 pozíció egyikébe bekattan, amint itt 6 látható.

Döntés állítás

lásd a képeket 7 - 8

Nyomja meg a döntésállító gombot hogy a fejlett gyerekülést a kívánt helyzetbe állítsa. 7&8.

Az előrenéző és hátránézó üzemmódban is 5 dönthető pozíció létezik. 8

Alap szerelése

lásd a képeket **9** - **15**

1. Helyezze be az ISOFIX vezetőket a szerelés segítéséhez. **9**
2. Nyomja meg az ISOFIX állító gombot, az ISOFIX kinyújtásához. **11** -1 & **11** -2
3. Győződjön meg, hogy mindkét ISOFIX csatoló biztonságosan csatlakozik az ISOFIX rögzítő pontokhoz. Az ISOFIX csatolókon levő mindkét jelző teljesen zöld kell legyen. **12** -1
- ! Nyomja meg újra az ISOFIX állító gombokat, miközben a szék hátát addig nyomja hátra amíg a gépkocsi ülésének hátához ér.
4. Miután rögzítette az ISOFIX rendszert húzza a lábat a padló felé. Amikor a terhelő láb jelzése zöld, a terhelő láb helyesen van beszerelve. **12** -2
5. Szorítsa meg a terhelő láb kioldó gombját, majd állítson a terhelő láb hosszán. **12** -3
- ! Mindig győződjön meg arról, hogy a támasztóláb közvetlenül érintkezik a padlóval, és akkor is reteszelt helyzetben van, amikor a gyermek nincs benne.

Az ülés eltávolítása

1. Az alap eltávolításához a gépkocsiból nyomja meg az ISOFIX kioldó gombot és húzza el az alapot az üléstől. Ezután nyomja meg és engedje fel a csatolókat a gépkocsi ISOFIX rendszeréből. **14**
2. Szállítás közbeni károsodás elkerülésére nyomja meg az ISOFIX állító gombot **15** -1 és hajtsa be teljesen a csatolót. **15** -2

Hátranzó mód használata

(A gyere magassága 40cm-105cm/ A gyerek súlya ≤21kg/csecsemő - 4 év)

lásd a képeket **16** - **23**

! Szerelje a fejlett gyerekülést a gépkocsi hátulsó ülésébe ezután helyezze bele a gyereket.

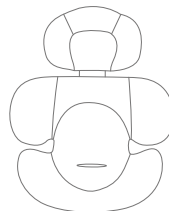
Nyomja meg a forgó gombot hogy elfordítsa a könnyebb oldalsó behelyezésére/kivételére a gyerekeknek, maj fordítsa vissza a hátranzó irányba. **16**&**17**

! Nyomja meg a forgó gombot mindkét oldalon, hogy elfordítsa a fejlett gyerekülést.

A gyermek rögzítése

1. A vállhámshíj hosszításához nyomja meg a hámszállító gombot, miközben kihúzza a vállhámshíjat, hogy meglazítsa. **18**
2. Nyissa ki az övcsatot megnyomva a piros gombot. **19**
3. Rögzítse a csatokat a szék mindkét oldalán, amint az ábrán látható **20** amelyek a szék mindkét oldalán található hátranzó módban sokkal könnyebb.

Csecsemő betét használata



Ajánlott a teljes csecsemő betét használata amíg a gyerek 60 cm-nél kisebb és használható amíg kinövi a csecsemőbetétet. A csecsemő betét növeli az oldalütések ellen nyújtott védelmet.

4. Helyezze a gyereket a fejlett gyerekülésbe és mindkét kezét fűzze be a hámszíjakba.
 5. Csatolja be a csatot. Kérjük tanulmányozza ²¹
 6. Húzza le az állító hálót és állítsa a megfelelő hosszra, hogy a gyerek biztonságban legyen. ²²
- ! Mindig rögzítse a gyereket a hámszíjakba és megfelelően szorítsa meg, eltávolítva a lógó részeket.
 - ! Győződjön meg, hogy a gyerek és a vállhámcsíj közötti távolság körülbelül egy kézvastagságnyi.
 - ! Ha az ülés a helyére van forgatva és megfelelően be van kapcsolva, a forgatógomb zöld színű, ellenkező esetben piros színű. ²³
 - ! Mindig győződjön meg arról, hogy az ülés a zárhelyzetben van (hátrafelé néző / előre néző), még akkor is, ha a gyermek nincs benne.

Előrenéző mód használata
 (A gyerek magassága 76cm-105cm/ A gyerek súlya ≤21kg/15 hónap - kb. 4 év)

lásd a képeket ²⁴ - ³¹

! Szerelje a fejlett gyerekülést a gépkocsi hátulsó ülésébe ezután helyezze bele a gyereket.

Nyomja meg a forgó gombot hogy elfordítsa a könnyebb oldalsó behelyezésére/kivételére a gyereknek, majd fordítsa vissza az előrenéző irányba. ^{24&25}

! Nyomja meg a forgató gombot mindkét oldalon, hogy elfordítsa a fejlett gyerekülést.

A gyermek rögzítése

1. A vállhámcsíj hosszításához nyomja meg a hámszíállító gombot, miközben kihúzza a vállhámcsíjat, hogy meglazítsa. ²⁶
 2. Nyissa ki a hámszíjak csatját a vörös gomb megnyomásával. ²⁷
- ! Távolítsa el a csecsemő betétet előrenéző módban. ²⁸

3. Helyezze a zár nyelvét a mágneses részhez a fejlett gyerekülés külső felén, hogy a nyelvet a helyén tartsa.
 4. Helyezze a gyereket a fejlett gyerekülésbe és mindkét kezét fűzze be a hámszíjakba.
 5. Csatolja be a csatot.
 6. Húzza le az állító hálót és állítsa a megfelelő hosszra, hogy a gyerek biztonságban legyen. ²⁹
 7. Nyomja meg a forgatható rögzítés kikapcsoló gombot ³⁰⁻¹, miközben az ülést előre néző módba forgatja. ³⁰⁻²
- ! Ha az ülés a helyére van forgatva és megfelelően be van kapcsolva, a forgatógomb zöld színű, ellenkező esetben piros színű. ³⁰
 - ! Mindig győződjön meg arról, hogy az ülés a zárhelyzetben van (hátrafelé néző / előre néző), még akkor is, ha a gyermek nincs benne.
 - ! Az ISOFIX csatlakozókat hozzá kell csatolni és rögzíteni az ISOFIX csatoló pontokhoz. ³¹⁻¹
 - ! A terhelő lábat helyesen, zöld jelzéssel kell felszerelni. ^{31 -2}
 - ! Mindig rögzítse a gyereket a hámszíjakba és megfelelően szorítsa meg, eltávolítva a lógó részeket.
 - ! NE használja az előre néző üzemmódot, amíg gyermeke magassága el nem éri a 76 cm-t ÉS a 15 hónapos kort.

A puha belsők eltávolítása

lásd a képeket ³² - ⁴⁰

A csat kiengedéséhez nyomja meg a piros gombot. ³²

A puha belső eltávolításához kövesse a lépéseket ³³ - ⁴⁰

A puha belsők újbóli felszereléséhez kérjük ismétlje meg a lépéseket fordított sorrendben.

Gondozás és karbantartás

- ! Kérjük tárolja a párnát valahol ahol a gyerek nem éri el.
- ! Kérjük mossa a puha belsőt hideg vízzel 30°C alatt.
- ! Ne vasalja a puha belsőt.
- ! Ne fehéritse vagy ne tisztítsa a puha belsőt.
- ! Ne használjon hígítás nélküli mosószereket, benzint vagy más szerves oldószert a fejlett gyerekülés vagy az alap mosására. Ezek károsíthatják a fejlett gyerekülést.
- ! Szárításhoz ne csavarja nagy erővel a puha belsőket. Ráncok maradhatnak a puha belsőkön.
- ! Kérjük akassza fel száradni a puha belsőket az árnyékba.
- ! Amennyiben hosszú ideig nem használja a fejlett gyerekülést, kérjük vegye ki a gépkocsiból.



RO Bun venit la Joie™

Ați achiziționat un sistem de siguranță de înaltă calitate pentru copii. Acest produs este adecvat pentru utilizare la copii cu înălțime și greutate de până la 105 cm și 21 kg.

Citiți cu atenție acest Manual de instrucțiuni și urmați pașii de instalare, deoarece este SINGURA metodă de a vă proteja copilul de accidentări grave sau moarte în cazul unui accident și pentru a oferi confort copilului în timpul utilizării acestui produs.

Păstrați manualul de instrucțiuni pentru consultare ulterioară.

Vă rugăm să confirmați

Pentru a utiliza sistemul de siguranță îmbunătățit Joie pentru copii cu conexiunile i-Size ISOFIX în conformitate cu Regulamentul UN nr. 129/03, copilul trebuie să îndeplinească următoarele cerințe.

Cu fața înapoi: Înălțimea copilului cuprinsă între 40 cm- 105 cm/Greutatea ≤ 21 kg;

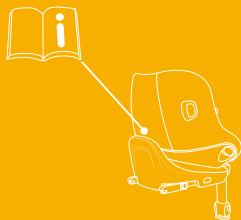
Orientare spre înainte: Vârsta copilului ≥ 15 luni/Înălțimea copilului 76 cm-105 cm/Greutatea copilului ≤ 21 kg;

Citiți toate instrucțiunile din manual înainte de asamblarea și utilizarea acestui produs.

! IMPORTANT: PĂSTRAȚI PENTRU CONSULTĂRI ULTERIOARE. CITIȚI CU ATENȚIE.

Păstrați manualul de instrucțiuni în compartimentul de depozitare din partea din spate a scaunului, conform figurii din dreapta.

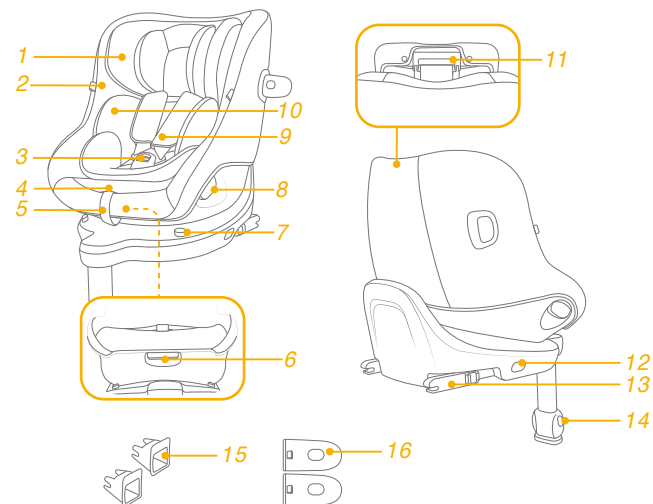
Pentru informații privind garanția, vizitați site-ul nostru web pe joiebaby.com



Lista componentelor

Asigurați-vă că nu lipsesc aceste componente. Contactați vânzătorul dacă lipsesc anumite componente.

- | | |
|---------------------------------|--|
| 1 Suport pentru cap | 10 Insertție |
| 2 Căptușeală scaun | 11 Manetă de reglare a suportului pentru cap |
| 3 Cataramă | 12 Buton de reglare ISOFIX |
| 4 Buton de ajustare a hamului | 13 Conector ISOFIX |
| 5 Husă de reglare | 14 Buton de reglaj picior de fixare |
| 6 Buton de reglare a înclinării | 15 Ghidaje pentru atașarea conectorilor ISOFIX |
| 7 Blocare pivotare | 16 Scut de impact lateral |
| 8 Buton rotație | <small>*trebuie utilizat numai pe partea laterală a ușii</small> |
| 9 Huse pentru hamul de umăr | |



AVERTISMENT

- ! **REȚINEȚI** că articolele rigide și componentele din plastic ale sistemului de siguranță îmbunătățit pentru copii să fie amplasate și instalate astfel încât să nu poată exista riscul de a fi prinse de un scaun mobil sau de o ușă a vehiculului în timpul utilizării normale a acestuia.
- ! **NU utilizați** sistemele de siguranță îmbunătățite pentru copii orientate în spate în raport cu direcția de deplasare a vehiculului în poziții de ședere în care este instalat un airbag frontal.
- ! Pentru a utiliza acest sistem de siguranță îmbunătățit pentru copii în conformitate cu Regulamentul ONU Nr. 129/03, copilul trebuie să îndeplinească următoarele cerințe.
- ! Modul de orientare spre spate: Înălțimea copilului 40 cm -105 cm/max. 21 kg
Modul de orientare spre înainte: Înălțimea copilului 76 cm -105 cm/max. 21 kg
- ! **IMPORTANT - NU UTILIZAȚI SCAUNUL CU FAȚA ÎNAINTE PENTRU COPII CŪ VĂRSTE MAI MICI DE 15 luni (Consultați instrucțiunile).**
- ! Este posibil ca sistemul de siguranță îmbunătățit pentru copii să nu se potrivească în toate vehiculele omologate, din cauza compartimentelor de depozitare sau a spațiului limitat la nivelul acoperișului vehiculului. În caz de îndoieli, adresați-vă comerciantului dumneavoastră sau contactați-ne.
- ! Piciorul de susținere trebuie să fie în contact cu podeaua vehiculului, iar centurile de fixare a copilului trebuie să fie ajustate în funcție de corpul copilului și nu trebuie să fie răsucite.

AVERTISMENT

- ! După plasați copilul în acest sistem de siguranță îmbunătățit pentru copii, cureaua trebuie utilizată corect. Asigurați-vă că orice curea pentru genunchi este plasată jos, astfel încât pelvisul să fie cuplat ferm, fixat.
- ! Dispozitivul trebuie să fie schimbat dacă a fost supus unor tensiuni violente în caz de accident. Un accident poate cauza daune pe care nu le puteți vedea.
- ! Luați în considerare pericolul de a face modificări sau adăugări la dispozitiv fără aprobarea autorității competente, cât și pericolul de a nu urmări îndeaproape instrucțiunile de instalare furnizate de producătorul sistemului de siguranță îmbunătățit pentru copii.
- ! Vă rugăm să păstrați acest sistem de siguranță îmbunătățit pentru copii departe de lumina soarelui, în caz contrar poate fi prea fierbinte pentru pielea copilului. Atingeți întotdeauna sistemul de siguranță îmbunătățit pentru copii înainte de a pune copilul în acesta.
- ! **NICIODATĂ** nu lăsați copilul nesupravegheat în sistemul de siguranță îmbunătățit pentru copii.
- ! Orice bagaje sau alte obiecte care ar putea cauza răniri în cazul unui accident trebuie fixate corespunzător.
- ! Sistemul îmbunătățit de siguranță pentru copii **NU TREBUIE** utilizat fără componentele moi.
- ! Componentele moi nu trebuie să fie înlocuite decât cu cele recomandate de producător, deoarece componentele moi sunt parte integrantă a performanței sistemului de fixare.

AVERTISMENT

- ! **Verificați dacă acest sistem îmbunătățit de siguranță pentru copii poate fi instalat corect în vehiculul dvs. înainte de a-l achiziționa.**
- ! **NICIUN sistem de siguranță îmbunătățit pentru copii poate garanta protecția completă împotriva rănirii în caz de accident. Cu toate acestea, utilizarea corectă a acestui sistem de siguranță îmbunătățit pentru copii va reduce riscul rănirii grave sau al decesului copilului.**
- ! **NU instalați acest sistem de siguranță îmbunătățit pentru copii fără a urma instrucțiunile din acest manual sau vă puteți pune copilul într-un pericol grav de rănire sau deces.**
- ! **NU utilizați acest sistem de siguranță îmbunătățit pentru copii dacă acesta are componente deteriorate sau lipsă.**
- ! **NU îmbrăcați copilul cu haine largi/prea mari, deoarece acest lucru poate împiedica fixarea corectă și sigură a copilului de curelele pentru umeri și de cureaua pentru coapse între picioare.**

Urgențe

În caz de urgență sau accidente, este esențial să îi fie acordate primul ajutor și tratament medical copilului.

Informații referitoare la produs

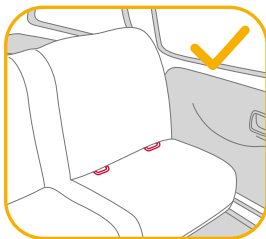
1. Acesta este un sistem îmbunătățit de siguranță pentru copii i-Size.
Acesta este omologat în temeiul regulamentului ONU nr. 129 pentru utilizare în poziții așezate într-un vehicul compatibil i-Size, astfel cum este indicat de către producătorul vehiculului în manualul utilizatorului vehiculului.
2. În caz de nelămuriri, consultați fabricantul sau vânzătorul sistemului de siguranță îmbunătățit pentru copii.

Materiale	Plastic, metal, textil
Nr. brevet	Brevet în așteptare

Alegeți versiunea de montaj

	Dimensiuni copil	Modul de instalare	Imagine instalare	Vârsta de referință	Poziția scaunului
ECE R129	40 cm-105 cm/ ≤21 kg	Cu fața înapoi		Aprox. 4 ani	Poziția 1-5
	76 cm-105 cm/ ≤21 kg	Cu fața înainte		15 luni până la aproximativ 4 ani	Poziția 1-5

Aspecte referitoare la montaj



Utilizați scutul de impact lateral

consultați imaginile ① - ②

1. Sistemul de siguranță îmbunătățit pentru copii este livrat cu o capsulă de protecție la impact lateral detașabilă. Introduceți capsula de protecție la impact lateral pe partea cea mai apropiată de ușă. Instalarea prezentată în ①.
2. Apăsați butonul de eliberare pentru a îndepărta protecția de impact lateral. ②

Reglarea înălțimii pentru suportul pentru cap și hamurile de umăr

consultați imaginile ③ - ⑥

Reglați suportul pentru cap și verificați dacă hamurile de umăr se află la înălțimea corectă, conform ③&④&⑤&⑥

- ! Atunci când sunt utilizate în modul orientat spre spate, fantele hamurilor pentru umeri trebuie să fie chiar la nivel sau imediat sub umerii copilului. ③
 - ! Atunci când sunt utilizate în modul pentru copii mici, fantele hamurilor pentru umeri trebuie să fie la nivel sau imediat deasupra umerilor copilului. ④
- Trageți maneta de reglare a suportului pentru cap ⑤ în timp ce trageți în sus sau împingeți în jos suportul pentru cap până când se fixează în una dintre cele 6 poziții, conform ⑥.

Reglarea înclinării

consultați imaginile ⑦ - ⑧

- Apăsați butonul de reglare a înclinării pentru a regla sistemul de siguranță pentru copii în poziția dorită. ⑦&⑧.
- Există 5 poziții de înclinare care pot fi utilizate pentru modurile cu fața înapoi și cu fața înainte. ⑧

Instalarea bazei

consultați imaginile 9 - 15

1. Introduceți ghidaje de atașare ISOFIX pentru a vă ajuta la instalare. 9
 2. Apăsăți pe butonul de ajustare ISOFIX pentru a plia ISOFIX. 11 -1& 11 -2
 3. Asigurați-vă că ambii conectori ISOFIX sunt atașați în siguranță în punctele de ancorare ISOFIX. Culoarele indicatorilor de pe ambii conectori ISOFIX trebuie să fie complet verzi. 12 -1
- ! Apăsăți din nou butoanele de reglare ISOFIX și împingeți scaunul înapoi până când vine în contact cu spătarul scaunului vehiculului.
4. După fixarea ISOFIX, trageți piciorul de susținere în jos, până la podea. Când indicatorul piciorului de fixare indică verde înseamnă că este instalat corect. 12 -2
 5. Strângeți butonul de eliberare a piciorului de fixare, apoi reglați lungimea piciorului de fixare. 12 -3
- ! Asigurați-vă întotdeauna că piciorul de fixare are contact direct cu podeaua și este în poziție blocată, chiar și atunci când copilul nu se află în el.

Scoaterea scaunului

1. Pentru a scoate din vehicul apăsați butonul de reglare ISOFIX și trageți baza de la scaun. Apoi apăsați și eliberați conectorii din sistemul ISOFIX al vehiculului. 14
2. Pentru a preveni deteriorarea în timpul transportului, apăsați butonul de reglare ISOFIX 15 -1 și pliați conectorul complet. 15 -2

Utilizarea în modul de orientare spre spate

(Înălțimea copilului 40 cm-105 cm/Greutatea copilului ≤ 21 kg/
sugar - 4 ani)

consultați imaginile 16 - 23

! Instalați sistemul îmbunătățit de siguranță pentru copii pe scaunul din spate al vehiculului, apoi puneți copilul în sistemul îmbunătățit de siguranță pentru copii.

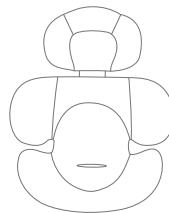
Apăsăți butonul de rotație pentru a roti scaunul, pentru o încărcare/descărcare laterală mai ușoară a copilului, apoi rotiți scaunul în poziția orientată spre spate. 16&17

! Apăsăți butonul de rotație de pe ambele părți pentru a roti scaunul îmbunătățit de siguranță pentru copii.

Fixarea copilului

1. Pentru a prelungi centurile hamului, apăsați butonul de reglare a hamului în timp ce scoateți hamurile umărului, pentru a le slăbi. 18
2. Deblocați hamul apăsând butonul roșu. 19
3. Fixați cataramele pe ambele părți ale scaunului, evidențiate ca 20, care sunt situate pe ambele părți ale scaunului, pentru a facilita plasarea copilului în modul de orientare cu spatele.

Folosirea inserției pentru copii



Recomandăm utilizarea inserției complete pentru confort pentru copii cu înălțimea sub 60 cm sau până când inserția devine neîncăpătoare. Inserția pentru copii crește protecția la impact lateral.

4. Așezați copilul în sistemul de siguranță îmbunătățit pentru copii și treceți ambele brațe ale copilului prin hamuri.
5. Cuplați catarama. Consultați ²¹
6. Trageți în jos husa de reglare și reglați hamul astfel încât copilul să fie bine fixat. ²²

! Mențineți întotdeauna copilul fixat în ham și strâns în mod corespunzător prin îndepărtarea oricărui joc.

! Asigurați-vă că spațiul dintre copil și curelele hamului de umăr este de aproximativ o mână.

! Când scaunul este rotit în poziție și cuplat corespunzător, butonul de rotație va indica verde; în caz contrar, va indica roșu. ²³

! Asigurați-vă întotdeauna că scaunul este în poziție blocată (orientare spre spate/orientare înainte) chiar și atunci când copilul nu se află în el.

Utilizarea în modul de orientare înainte

(Înălțimea copilului 76 cm- 105 cm/Greutatea copilului ≤ 21 kg/15 luni - aprox. 4 ani)

consultați imaginile ²⁴ - ³¹

! Instalați sistemul îmbunătățit de siguranță pentru copii pe scaunul din spate al vehiculului, apoi puneți copilul în sistemul îmbunătățit de siguranță pentru copii.

Apăsați butonul de rotație pentru a roti scaunul, pentru o încărcare/descărcare laterală mai ușoară a copilului, apoi rotiți scaunul în poziția orientată înainte. ^{24&25}

! Apăsați butonul de rotație de pe ambele părți pentru a roti scaunul îmbunătățit de siguranță pentru copii.

Fixarea copilului

1. Pentru a prelungi centurile hamului, apăsați butonul de reglare a hamului în timp ce scoateți hamurile umărului, pentru a le slăbi. ²⁶
 2. Deblocați catarama hamurilor apăsând butonul roșu. ²⁷
- ! Scoateți inserția pentru sugari când scaunul este în modul orientat înainte. ²⁸

3. Așezați limbile cataramelor pe zona magnetică de pe partea exterioară a sistemului de siguranță pentru copii, astfel încât acestea să fie fixate.

4. Așezați copilul în sistemul de siguranță îmbunătățit pentru copii și treceți ambele brațe ale copilului prin hamuri.

5. Cuplați catarama.

6. Trageți în jos husa de reglare și reglați hamul astfel încât copilul să fie bine fixat. ²⁹

7. Apăsați butonul de blocare a pivotării ³⁰⁻¹ în timp ce rotiți scaunul în modul orientat înainte. ³⁰⁻²

! Când scaunul este rotit în poziție și cuplat corespunzător, butonul de rotație va indica verde; în caz contrar, va indica roșu. ³⁰

! Asigurați-vă întotdeauna că scaunul este în poziție blocată (orientare spre spate/orientare înainte) chiar și atunci când copilul nu se află în el.

! Conectorii ISOFIX trebuie atașați și blocați pe punctele de ancorare ISOFIX. ³¹⁻¹

! Piciorul de fixare trebuie instalat corect cu indicatorul verde. ³¹ -2

! Mențineți întotdeauna copilul fixat în ham și strâns în mod corespunzător prin îndepărtarea oricărui joc.

! NU folosiți orientarea spre înainte, cu excepția cazului în care copilul dvs. are înălțimea de cel puțin 76 cm și vârsta de 15 luni.

Demontarea părților moi

consultați imaginile ³² - ⁴⁰

Apăsați butonul de culoare roșie pentru a decupla catarama. ³²

Urmați pașii ³³ - ⁴⁰ pentru a detașa componentele moi.

Pentru a reatașa componentele moi, reparați pașii de mai sus în ordine inversă.

Îngrijire și întreținere

- ! Nu lăsați inserția pentru sugari la îndemâna copilului.
- ! Spălați componentele moi cu apă rece sub 30 °C.
- ! Nu călcați componentele moi.
- ! Nu înălbiți sau nu curățați chimic componentele moi.
- ! Nu utilizați detergenți neutri nediluți, benzină sau alți solvenți organici pentru a spăla sistemul de siguranță îmbunătățit pentru copii sau baza. Poate cauza deteriorarea sistemului de siguranță îmbunătățit pentru copii.
- ! Nu răsuciți componentele moi pentru a le usca cu forță mare. Acesta poate lăsa cute în componentele moi.
- ! Vă rugăm să atârnați la umbră componentele moi.
- ! Îndepărtați sistemul de siguranță îmbunătățit pentru copii de pe scaunul vehiculului dacă nu îl folosiți pentru o perioadă lungă de timp.



EL Καλώς ήλθατε στη Joie™

Αγοράσατε ένα υψηλής ποιότητας, πλήρως πιστοποιημένο παιδικό κάθισμα ασφαλείας. Αυτό το προϊόν είναι κατάλληλο για χρήση από παιδιά με ύψος έως 105 εκ. και βάρος έως 21 κιλά.

Διαβάστε προσεκτικά το παρόν εγχειρίδιο οδηγιών και ακολουθήστε τα βήματα εγκατάστασης, διότι αυτός είναι ο ΜΟΝΟΣ τρόπος για να προστατεύσετε το παιδί σας από σοβαρό τραυματισμό ή θάνατο σε περίπτωση ατυχήματος και για να παρέχετε άνεση στο παιδί σας ενώ χρησιμοποιείτε αυτό το προϊόν.

Φυλάξτε αυτό το εγχειρίδιο οδηγιών για μελλοντική χρήση.

Παρακαλούμε ελέγξτε τα ακόλουθα

Για να χρησιμοποιήσετε αυτό το παιδικό κάθισμα ασφαλείας της Joie με τους συνδέσμους ISOFIX i-Size σύμφωνα με τον Κανονισμό UN 129/03, το παιδί σας πρέπει να πληροί τις ακόλουθες απαιτήσεις.

Κάθισμα στραμμένο προς τα πίσω: Ύψος παιδιού 40-105 εκ. / Βάρος παιδιού ≤ 21 κιλά.

Κάθισμα στραμμένο προς τα μπροστά: Ηλικία παιδιού ≥ 15 μηνών/ Ύψος παιδιού 76-105 εκ./ Βάρος παιδιού ≤ 21 κιλά.

Διαβάστε όλες τις οδηγίες σε αυτό το εγχειρίδιο πριν την εγκατάσταση και χρήση του προϊόντος.

**Ι ΣΗΜΑΝΤΙΚΟ: ΦΥΛΑΞΤΕ ΓΙΑ ΜΕΛΛΟΝΤΙΚΗ ΑΝΑΔΡΟΜΗ.
ΔΙΑΒΑΣΤΕ ΠΡΟΣΕΚΤΙΚΑ.**

Φυλάξτε το εγχειρίδιο οδηγιών στον αποθηκευτικό θάλαμο στο πίσω μέρος του καθίσματος, όπως φαίνεται στη δεξιά εικόνα.

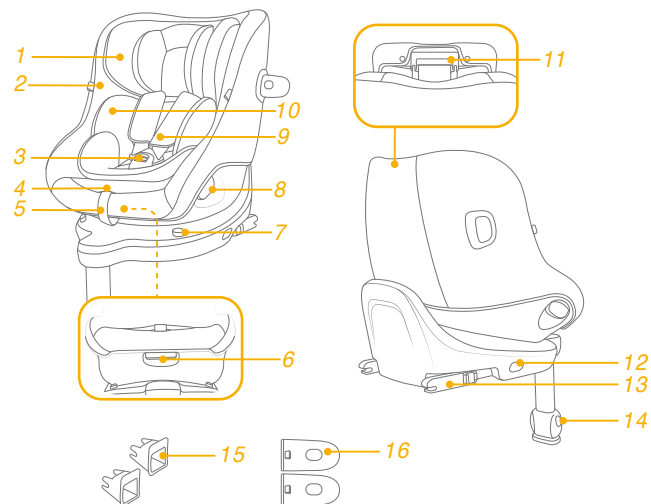
Για πληροφορίες σχετικά με την εγγύηση, επισκεφθείτε την ιστοσελίδα μας στο joiebaby.com



Κατάλογος εξαρτημάτων

Βεβαιωθείτε ότι δεν λείπουν εξαρτήματα. Επικοινωνήστε με το κατάστημα πώλησης σε περίπτωση που λείπει κάτι.

- | | | | |
|---|---------------------------|----|---|
| 1 | Στήριγμα κεφαλιού | 10 | Ένθετο |
| 2 | Μαξιλάρι καθίσματος | 11 | Μοχλός ρύθμισης στηρίγματος κεφαλιού |
| 3 | Πόρπη | 12 | Κουμπί ρύθμισης ISOFIX |
| 4 | Κουμπί ρύθμισης ιμάντα | 13 | Σύνδεσμος ISOFIX |
| 5 | Ιμάντας ρύθμισης | 14 | Κουμπί ρύθμισης σκέλους φορτίου |
| 6 | Κουμπί ρύθμισης ανάκλισης | 15 | Οδηγοί εξαρτημάτων ISOFIX |
| 7 | Ασφάλεια περιστροφής | 16 | Προστασία πλευρικής σύγκρουσης |
| 8 | Κουμπί περιστροφής | | *χρήση μόνο στην πλευρά της πόρτας του οχήματος |
| 9 | Καλύμματα ιμάντων ώμου | | |



ΠΡΟΕΙΔΟΠΟΙΗΣΗ

- ! **ΦΡΟΝΤΙΣΤΕ** ώστε τα άκαμπτα αντικείμενα και τα πλαστικά μέρη του ενισχυμένου παιδικού καθίσματος ασφαλείας να τοποθετηθούν και να εγκατασταθούν με τρόπο που είναι δυνατόν να παγιδευτούν από ένα κινούμενο κάθισμα ή την πόρτα του οχήματος κατά την καθημερινή χρήση του οχήματος.
- ! **ΜΗΝ** χρησιμοποιείτε το παιδικό κάθισμα στραμμένο προς τα πίσω σε καθίσματα οχημάτων όπου υπάρχει εγκατεστημένος ενεργός μπροστινός αερόσακος.
- ! Για να χρησιμοποιήσετε αυτό το παιδικό κάθισμα ασφαλείας σύμφωνα με τον Κανονισμό 129/03 του ΟΗΕ, το παιδί σας θα πρέπει να πληροί τις ακόλουθες προϋποθέσεις.
- ! **Κάθισμα στραμμένο προς τα πίσω:** Ύψος παιδιού 40-105 εκ. / έως 21 κιλά.
Κάθισμα στραμμένο προς τα μπροστά: Ύψος παιδιού 76-105 εκ. / έως 21 κιλά.
- ! **ΣΗΜΑΝΤΙΚΟ - ΜΗΝ ΤΟΠΟΘΕΤΕΙΤΕ ΤΟ ΠΑΙΔΙ ΜΕ ΤΟ ΠΡΟΣΩΠΟ ΠΡΟΣ ΤΑ ΕΜΠΡΟΣ ΠΡΟΤΟΥ ΓΙΝΕΙ 15 ΜΗΝΩΝ** (Ανατρέξτε στις οδηγίες).
- ! Το ενισχυμένο παιδικό κάθισμα ασφαλείας μπορεί να μην ταιριάζει σε όλα τα εγκεκριμένα οχήματα λόγω των χώρων αποθήκευσης ή του περιορισμένου διαθέσιμου χώρου ως την οροφή του οχήματος. Σε περίπτωση αμφιβολιών, επικοινωνήστε με τον προμηθευτή σας ή με εμάς.
- ! Τυχόν σκέλος στήριξης πρέπει να είναι σε επαφή με το δάπεδο του οχήματος, οι ιμάντες που συγκρατούν το παιδί πρέπει να προσαρμόζονται στο σώμα του παιδιού και να μην είναι συστραμμένοι.

ΠΡΟΕΙΔΟΠΟΙΗΣΗ

- ! Αφού τοποθετήσετε το παιδί σας σε αυτό το ενισχυμένο παιδικό κάθισμα ασφαλείας, η ζώνη ασφαλείας πρέπει να χρησιμοποιηθεί σωστά. Βεβαιωθείτε ότι κάθε ιμάντας μέσης φοριέται χαμηλά, έτσι ώστε η λεκάνη να συγκρατείται σταθερά σε περίπτωση καταπόνησης.
- ! Αυτό το ενισχυμένο κάθισμα πρέπει να αντικαθίσταται αν έχει υποστεί έντονη καταπόνηση σε περίπτωση ατυχήματος. Ένα ατύχημα μπορεί να προκαλέσει βλάβη που δεν μπορείτε να δείτε.
- ! Αναλογιστείτε τους κινδύνους τυχόν τροποποιήσεων ή προσθηκών στο κάθισμα χωρίς την έγκριση της αρμόδιας αρχής, καθώς και τον κίνδυνο της μη τήρησης των οδηγιών εγκατάστασης που παρέχονται από τον κατασκευαστή του καθίσματος ασφαλείας.
- ! Προστατέψτε το ενισχυμένο παιδικό κάθισμα ασφαλείας από ηλιακό φως, διαφορετικά ενδέχεται να είναι πολύ ζεστό για την επιδερμίδα του παιδιού. Ελέγχετε πάντα τη θερμοκρασία του καθίσματος πριν τοποθετήσετε το παιδί μέσα σε αυτό.
- ! **ΜΗΝ** αφήνετε το παιδί σας χωρίς επίβλεψη με το συγκεκριμένο ενισχυμένο παιδικό κάθισμα ασφαλείας.
- ! Τυχόν αποσκευές ή άλλα αντικείμενα που μπορούν να προκαλέσουν τραυματισμούς σε περίπτωση σύγκρουσης, θα πρέπει να ασφαλιζονται κατάλληλα.
- ! Το σύστημα ενισχυμένου παιδικού καθίσματος ασφαλείας **ΔΕΝ ΠΡΕΠΕΙ ΝΑ ΧΡΗΣΙΜΟΠΟΙΕΙΤΑΙ** χωρίς τα υφασμάτινα στοιχεία.
- ! Τα υφασμάτινα στοιχεία δεν πρέπει να αντικαθίστανται από οποιαδήποτε άλλα, εκτός από εκείνα που προτείνονται από τον κατασκευαστή, καθώς τα υφασμάτινα στοιχεία αποτελούν αναπόσπαστο μέρος της απόδοσης του παιδικού καθίσματος ασφαλείας.

ΠΡΟΕΙΔΟΠΟΙΗΣΗ

- ! Πριν την αγορά, ελέγξτε εάν αυτό το ενισχυμένο παιδικό κάθισμα ασφαλείας μπορεί να εγκατασταθεί σωστά στο όχημά σας.
- ! ΚΑΝΕΝΑ παιδικό κάθισμα ασφαλείας δεν μπορεί να εγγυηθεί πλήρη προστασία από τραυματισμούς σε περίπτωση ατυχήματος. Η ορθή ωστόσο χρήση του συγκεκριμένου παιδικού καθίσματος ασφαλείας θα μειώσει τον κίνδυνο σοβαρού τραυματισμού ή θανάτου για το παιδί σας.
- ! ΜΗΝ εγκαταστήσετε ή χρησιμοποιήσετε αυτό το παιδικό κάθισμα ασφαλείας χωρίς να ακολουθήσετε τις οδηγίες σε αυτό το εγχειρίδιο, διαφορετικά ενδέχεται να θέσετε το παιδί σας σε σοβαρό κίνδυνο τραυματισμού ή θανάτου.
- ! ΜΗΝ χρησιμοποιήσετε το συγκεκριμένο παιδικό κάθισμα ασφαλείας σε περίπτωση που έχει υποστεί φθορά ή του λείπουν εξαρτήματα.
- ! ΜΗΝ φοράτε στο παιδί σας μεγάλα/υπερμεγέθη ρούχα, καθώς αυτό μπορεί να εμποδίσει τη , σωστή ασφάλιση του παιδιού σας με τους ιμάντες ώμων και τον ιμάντα του καβάλου.

Έκτακτη ανάγκη

Σε περίπτωση έκτακτης ανάγκης ή ατυχήματος, η παροχή των πρώτων βοηθειών στο παιδί σας και η άμεση αναζήτηση ιατρικής περίθαλψης αποτελούν επιτακτική ανάγκη.

Πληροφορίες προϊόντος

1. Το συγκεκριμένο αποτελεί Ενισχυμένο Παιδικό Κάθισμα Ασφαλείας i-Size. Έχει εγκριθεί σύμφωνα με τον Κανονισμό 129 του ΟΗΕ, για χρήση σε θέσεις καθίσματος οχημάτων συμβατές με i-Size, όπως υποδηλώνεται από τους κατασκευαστές του οχήματος στο εγχειρίδιο χρήση του οχήματος.
2. Σε περίπτωση αμφιβολίας, συμβουλευτείτε τον κατασκευαστή του παιδικού καθίσματος ασφαλείας ή τον λιανοπωλητή.



Υλικά

Πλαστικά, μέταλλο, υφάσματα

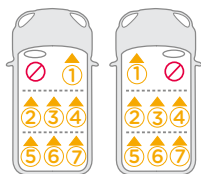
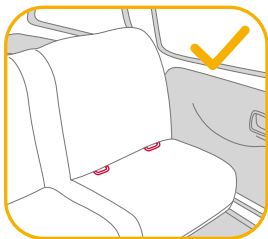
Αριθμός ευρεσιτεχνίας

Διπλώματα ευρεσιτεχνίας σε εκκρεμότητα

Επιλογή τρόπου εγκατάστασης

Μέγεθος παιδιού	Τρόπος εγκατάστασης	Εικόνα εγκατάστασης	Ηλικία αναφοράς	Θέση καθίσματος
40-105 εκ./ ≤ 21 κιλά	Κάθισμα στραμμένο προς τα πίσω		Περίπου 4 ετών	Θέση 1-5
76-105 εκ./ ≤ 21 κιλά	Κάθισμα στραμμένο προς τα μπροστά		15 μηνών έως περ. 4 ετών	Θέση 1-5

Πληροφορίες εγκατάστασης



Χρήση προστασίας από πλευρική σύγκρουση

Δείτε τις εικόνες 1 - 2

1. Το ενισχυμένο παιδικό κάθισμα ασφαλείας παρέχεται με αφαιρούμενη προστασία από πλευρική σύγκρουση. Τοποθετήστε το εξάρτημα πλευρικής σύγκρουσης στην πλευρά που βρίσκεται πιο κοντά στην πόρτα. Η εγκατάσταση παρουσιάζεται στην εικόνα 1.
2. Πατήστε το κουμπί αποδέσμευσης για να αφαιρέσετε την προστασία από πλευρική σύγκρουση.

Ρύθμιση ύψους

για το στήριγμα κεφαλιού και τους ιμάντες ώμων

Δείτε τις εικόνες 3 - 6

- Ρυθμίστε το στήριγμα κεφαλιού και ελέγξτε εάν οι ιμάντες ώμου βρίσκονται στο σωστό ύψος σύμφωνα με τις εικόνες 3 & 4 & 5 & 6.
- ! Όταν χρησιμοποιείται σε θέση όπου το παιδί κοιτάζει προς τα πίσω, το ύψος των ιμάντων ώμων πρέπει να είναι στο ίδιο επίπεδο ή λίγο πιο χαμηλά από τους ώμους του παιδιού. 3
- ! Όταν χρησιμοποιείται σε θέση όπου το παιδί κοιτάζει προς τα μπροστά, το ύψος των ιμάντων ώμων πρέπει να είναι στο ίδιο επίπεδο ή λίγο πιο πάνω από τους ώμους του παιδιού. 4
- Πίεστε τον μοχλό ρύθμισης του στηρίγματος κεφαλιού 5 σκλώνοντας ταυτόχρονα προς τα πάνω ή σπρώχνοντας προς τα κάτω το στήριγμα κεφαλιού μέχρι αυτό να κομπώσει σε μία από τις 6 θέσεις, όπως φαίνεται στην εικόνα 6.

Ρύθμιση ανάκλισης

Δείτε τις εικόνες 7 - 8

- Πίεστε το κουμπί ρύθμισης ανάκλισης για να προσαρμόσετε το ενισχυμένο παιδικό κάθισμα ασφαλείας στην επιθυμητή θέση. 7 & 8.
- Υπάρχουν 5 θέσεις ανάκλισης που μπορούν να χρησιμοποιηθούν όταν το κάθισμα χρησιμοποιείται στραμμένο προς τα πίσω ή προς τα μπροστά. 8

Εγκατάσταση βάσης

Δείτε τις εικόνες 9 - 15

1. Εισαγάγετε τους οδηγούς ISOFIX για βοήθεια στην εγκατάσταση. 9
 2. Πατήστε το κουμπί ρύθμισης του συστήματος ISOFIX για να επεκτείνετε το σύστημα ISOFIX. 11 -1&11 -2
 3. Βεβαιωθείτε ότι αμφότεροι οι σύνδεσμοι ISOFIX είναι συνδεδεμένοι με ασφάλεια στα σημεία αγκύρωσης ISOFIX. Τα χρώματα των δεικτών και στους δύο συνδέσμους ISOFIX πρέπει να είναι τελείως πράσινα. 12 -1
- ! Πατήστε ξανά τα κουμπιά ρύθμισης του συστήματος ISOFIX πιέζοντας την πλάτη του καθίσματος προς την πλάτη καθίσματος του οχήματος.
4. Μετά την τοποθέτηση του ISOFIX, τραβήξτε το σκέλος φορτίου προς τα κάτω. Όταν ο δείκτης του σκέλους φορτίου δείχνει πράσινο, αυτό σημαίνει πως το σκέλος φορτίου έχει τοποθετηθεί σωστά. 12 -2
 5. Συμπιέστε το κουμπί αποδέσμευσης σκέλους φορτίου, στη συνέχεια ρυθμίστε το μήκος του σκέλους. 12 -3
- ! Να βεβαιώνετε πάντα ότι το σκέλος στήριξης έχει άμεση επαφή με το δάπεδο και ότι βρίσκεται στη θέση ασφάλισης, ακόμα και όταν το παιδί δεν κάθεται στο κάθισμα.

Αφαίρεση καθίσματος

1. Για να αφαιρέσετε το κάθισμα από το όχημα, πατήστε το κουμπί ρύθμισης ISOFIX και τραβήξτε το πίσω μέρος της πλάτης από το κάθισμα. Στη συνέχεια πατήστε και απελευθερώστε τους συνδέσμους από το σύστημα ISOFIX του οχήματος. 14
2. Για να αποφύγετε τυχόν ζημιά κατά τη μεταφορά, πατήστε το κουμπί ρύθμισης ISOFIX 15 -1 και διπλώστε τον σύνδεσμο πλήρως. 15 -2

Χρήση καθίσματος στραμμένο προς τα πίσω

(Υψος παιδιού 40-105 εκ. / Βάρος παιδιού ≤ 21 κιλά / βρέφος - 4 ετών)

Δείτε τις εικόνες 16 - 23

! Εγκαταστήστε το ενισχυμένο παιδικό κάθισμα ασφαλείας στο πίσω κάθισμα του οχήματος και, έπειτα, τοποθετήστε το παιδί στο παιδικό κάθισμα ασφαλείας.

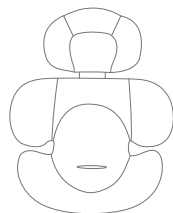
Πατήστε το περιστρεφόμενο κουμπί για περιστροφή για ευκολότερη πλευρική τοποθέτηση/απομάκρυνση του παιδιού και, στη συνέχεια, περιστρέψτε το κάθισμα στη θέση όπου το παιδί κοιτάζει προς τα πίσω. 16&17

! Πατήστε το περιστρεφόμενο κουμπί σε κάθε πλευρά για να περιστρέψετε το ενισχυμένο παιδικό κάθισμα ασφαλείας.

Ασφάλεια του παιδιού

1. Για να επεκτείνεται τις ζώνες ιμάντων ώμων, πατήστε το κουμπί ρύθμισης ιμάντα ενώ ταυτόχρονα τραβάτε τους ιμάντες ώμων για να χαλαρώσουν. 18
2. Ξεκλειδώστε την πόρπη πατώντας το κόκκινο κουμπί. 19
3. Στερεώστε τις πόρπες και στις δύο πλευρές του καθίσματος όπως φαίνεται στην εικόνα 20, οι οποίες είναι τοποθετημένες και στις δύο πλευρές του καθίσματος, ώστε να τοποθετήσετε ευκολότερα το παιδί σε θέση που να κοιτάζει προς τα πίσω.

Χρήση ενθέματος βρέφους



Συνιστούμε τη χρήση του πλήρους ενθέματος βρέφους για όσο χρόνο το μωρό είναι κάτω από 60 εκ. ή έως ότου ξεπεράσει το ένθεμα βρέφους. Το ένθεμα βρέφους αυξάνει την προστασία πλευρικής σύγκρουσης.

4. Τοποθετήστε το παιδί στο κάθισμα ασφαλείας και περάστε αμφότερα τα χέρια μέσα από τους ιμάντες.
 5. Κουμπώστε την πόρπη. Ανατρέξτε στην **21**
 6. Τραβήξτε προς τα κάτω τον ιμάντα ρύθμισης και προσαρμόστε τον στο σωστό μήκος για να εξασφαλίσετε ότι το παιδί σας έχει τοποθετηθεί με ασφάλεια και άνεση. **22**
- ! Να κρατάτε πάντοτε το παιδί ασφαλισμένο στους ιμάντες και να το σφίγγετε σωστά ρυθμίζοντας τυχόν χαλάρωση.
 - ! Βεβαιωθείτε ότι ο χώρος μεταξύ του παιδιού και του ιμάντα ώμου είναι περίπου το πάχος μιας παλάμης.
 - ! Όταν το κάθισμα περιστραφεί στη θέση του και ασφαλίσει σωστά, το κουμπί περιστροφής θα είναι πράσινο, διαφορετικά θα είναι κόκκινο. **23**
 - ! Να βεβαιώνετε πάντα ότι το κάθισμα βρίσκεται στη θέση ασφάλισης (στραμμένο προς τα πίσω/μπροστά), ακόμα και όταν το παιδί δεν κάθεται στο κάθισμα.

Χρήση καθίσματος στραμμένο προς τα μπροστά

(Ύψος παιδιού 76-105 εκ./Βάρος παιδιού ≤21 κιλά/
15 μηνών - περ. 4 ετών)

Δείτε τις εικόνες **24 - 31**

- ! Εγκαταστήστε το ενισχυμένο παιδικό κάθισμα ασφαλείας στο πίσω κάθισμα του οχήματος και, έπειτα, τοποθετήστε το παιδί στο παιδικό κάθισμα ασφαλείας.
- Πατήστε το κουμπί περιστροφής για περιστροφή για ευκολότερη πλευρική τοποθέτηση/απομάκρυνση του παιδιού και, στη συνέχεια, περιστρέψτε το κάθισμα στη θέση όπου το παιδί κοιτάζει προς τα εμπρός. **24&25**
- ! Πιέστε το περιστρεφόμενο κουμπί σε κάθε πλευρά για να περιστρέψετε το ενισχυμένο παιδικό κάθισμα ασφαλείας.

Ασφάλεια του παιδιού

1. Για να επεκτείνεται τις ζώνες ιμάντων ώμων, πατήστε το κουμπί ρύθμισης ιμάντα ενώ ταυτόχρονα τραβάτε τους ιμάντες ώμων για να χαλαρώσουν. **26**
 2. Ξεκλειδώστε την πόρπη των ιμάντων πατώντας το κόκκινο κουμπί. **27**
- ! Αφαιρέστε το ένθεμα βρέφους όταν το ενισχυμένο παιδικό κάθισμα ασφαλείας χρησιμοποιείται με το παιδί να κοιτάζει προς τα εμπρός. **28**

3. Τοποθετήστε τις γλωπίδες της πόρπης στη μαγνητική περιοχή στην εξωτερική πλευρά του παιδικού καθίσματος ασφαλείας, έτσι ώστε οι γλωπίδες να συγκρατούνται στη θέση τους.
 4. Τοποθετήστε το παιδί στο κάθισμα ασφαλείας και περάστε αμφότερα τα χέρια μέσα από τους ιμάντες.
 5. Κουμπώστε την πόρπη.
 6. Τραβήξτε προς τα κάτω τον ιμάντα ρύθμισης και προσαρμόστε τον στο σωστό μήκος για να εξασφαλίσετε ότι το παιδί σας έχει τοποθετηθεί με ασφάλεια και άνεση. **29**
 7. Πατήστε το κουμπί ασφάλισης περιστροφής **30-1** ενώ περιστρέφετε το κάθισμα στη θέση όπου το παιδί είναι στραμμένο προς τα μπροστά. **30-2**
- ! Όταν το κάθισμα περιστραφεί στη θέση του και ασφαλίσει σωστά, το κουμπί περιστροφής θα είναι πράσινο, διαφορετικά θα είναι κόκκινο. **30**
 - ! Να βεβαιώνετε πάντα ότι το κάθισμα βρίσκεται στη θέση ασφάλισης (στραμμένο προς τα πίσω/μπροστά), ακόμα και όταν το παιδί δεν κάθεται στο κάθισμα.
 - ! Οι σύνδεσμοι ISOFIX πρέπει να έχουν προσαρτηθεί και ασφαλίσει στα σημεία αγκύρωσης ISOFIX. **31-1**
 - ! Το σκέλος φορτίου πρέπει να εγκατασταθεί σωστά με τον πράσινο δείκτη. **31-2**
 - ! Να κρατάτε πάντοτε το παιδί ασφαλισμένο στους ιμάντες και να το σφίγγετε σωστά ρυθμίζοντας τυχόν χαλάρωση.
 - ! ΜΗΝ τοποθετείτε το κάθισμα στραμμένο προς τα εμπρός εάν το παιδί σας δεν έχει ύψος τουλάχιστον 76 εκατοστά ΚΑΙ είναι τουλάχιστον 15 μηνών.

Αφαίρεση υφασμάτων στοιχείων

Δείτε τις εικόνες **32 - 40**

- Πιέστε το κόκκινο κουμπί για να αποδεσμεύσετε την πόρπη. **32**
- Ακολουθήστε τα βήματα **33 - 40** για να αφαιρέσετε τα υφασμάτινα στοιχεία.
- Για να προσαρτήσετε πάλι τα υφασμάτινα στοιχεία επαναλάβετε τα παραπάνω βήματα με αντίστροφη σειρά.

Φροντίδα και συντήρηση

- ! Αποθηκεύστε το μαξιλάρι σε σημείο όπου δεν έχει πρόσβαση το παιδί.
- ! Πλύνετε τα υφασμάτινα στοιχεία με κρύο νερό κάτω από τους 30°C.
- ! Μη σιδερώνετε τα υφασμάτινα στοιχεία.
- ! Μη χρησιμοποιείτε λευκαντικό ή υποβάλετε σε στεγνό καθάρισμα τα υφασμάτινα στοιχεία.
- ! Μη χρησιμοποιείτε αδιάλυτα απορρυπαντικά, βενζίνη ή άλλους οργανικούς διαλύτες για να πλύνετε το παιδικό κάθισμα ασφαλείας ή τη βάση. Ενδέχεται να προκαλέσουν φθορά στο παιδικό κάθισμα ασφαλείας.
- ! Μη στρίβετε με μεγάλη δύναμη τα υφασμάτινα στοιχεία για να στεγνώσουν. Μπορεί να προκληθούν ζάρες στα υφασμάτινα στοιχεία.
- ! Κρεμάστε στη σκιά τα υφασμάτινα στοιχεία για να στεγνώσουν.
- ! Αφαιρέστε το ενισχυμένο παιδικό κάθισμα ασφαλείας από το κάθισμα του οχήματος αν δεν πρόκειται να χρησιμοποιηθεί για μεγάλο χρονικό διάστημα.



TR Joie™'ye Hoş Geldiniz

Yüksek kalitede, tam onaylı, bir çocuk emniyet koltuğu satın aldınız. Bu ürün, boy ve kilosu 105cm ve 21kg'a kadar olan çocukların kullanımı için uygundur.

Talimat Kılavuzunu dikkatlice okuyun ve kurulum adımlarını izleyin, çünkü bir kaza durumunda çocuğunuzu yaralanmalara veya ölmesine karşı korumanın TEK yolu budur ve bu ürünü kullanırken çocuğunuza konfor sağlanır.

Bu talimat kılavuzunu ileride başvurmak için saklayın.

Lütfen onaylayın

129/03 No'lu BM Yönetmeliğine göre, i-Size ISOFIX bağlantılara sahip bu Joie geliştirilmiş çocuk koltuğunu kullanmak için çocuğunuzun aşağıdaki gereklilikleri karşılaması gerekir.

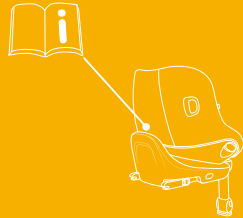
Arkaya Dönük: Çocuğun boyu 40cm-105cm/Çocuğun kilosu ≤21kg;
Öne Dönük: Çocuğun yaşı ≥ 15m/ Çocuğun boyu 76cm-105cm/
Çocuğun kilosu ≤ 21kg;

Lütfen ürünü takmadan ya da kullanmadan önce bu kılavuzdaki tüm talimatları okuyun.

**! ÖNEMLİ: İLERİDE BAŞVURMAK İÇİN SAKLAYIN.
LÜTFEN DİKKATLİCE OKUYUN.**

Lütfen kullanım kılavuzunu, sağdaki şekilde gösterildiği gibi, koltuğun arkasındaki saklama bölümünde saklayın.

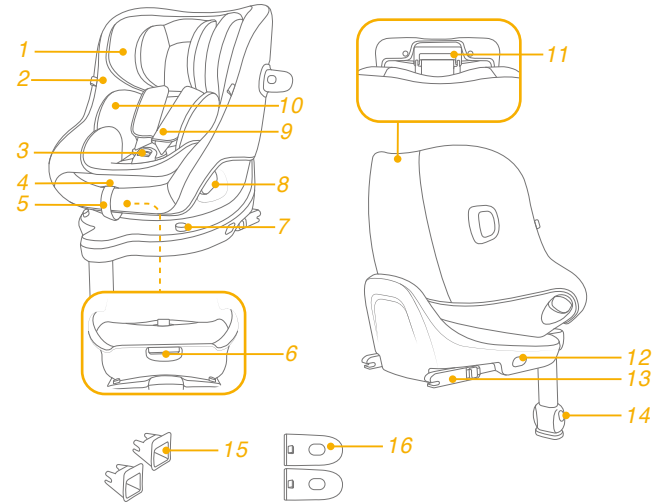
Garanti bilgileri için lütfen joiebaby.com adresindeki web sitemizi ziyaret edin.



Parça Listesi

Lütfen herhangi bir eksik parça olmadığından emin olun. Lütfen herhangi bir eksik varsa satıcıyla iletişime geçin.

- | | | | |
|---|--------------------------|----|--|
| 1 | Baş Desteği | 10 | Eklenti |
| 2 | Koltuk Minderi | 11 | Kafa Desteği Ayar Kolu |
| 3 | Toka | 12 | ISOFIX Ayarlayıcı Düğmesi |
| 4 | Kemer Seti Ayarı Düğmesi | 13 | ISOFIX Konnektörü |
| 5 | Ayar Kayışı | 14 | Yük Ayağı Ayar Düğmesi |
| 6 | Yatırma Ayarı Düğmesi | 15 | ISOFIX Bağlayıcı Kılavuzları |
| 7 | Döner Kilit kapalı | 16 | Yan Darbe Koruması |
| 8 | Döndürme Düğmesi | | *sadece kapı tarafında kullanılmalıdır |
| 9 | Omuz Kayışı Kılıfları | | |



UYARI

- ! Geliştirilmiş bir çocuk koltuğu sisteminin sert ve plastik parçalarının, aracın günlük kullanımı sırasında hareketli bir koltuğa veya aracın bir kapisına sıkışma ihtimali olmayacak şekilde yerleştirilip monte edilmesi gerektiği konusunda bilgi sahibi olun.
- ! Arkaya bakan geliştirilmiş çocuk koltuğu sistemlerini, aktif öne bakan hava yastığı takılı iken **KULLANMAYIN**.
- ! Bu geliştirilmiş çocuk koltuğunu 129/03 No'lu BM Yönetmeliğine göre kullanmak için çocuğunuzun aşağıdaki gereklilikleri karşılaması gerekir.
- ! Arkaya Dönük Mod: Çocuğun boyu 40cm-105cm/ maks. 21kg;
Arkaya Dönük Mod: Çocuğun boyu 76cm-105cm/ maks. 21kg;
- ! **ÖNEMLİ - ÇOCUK 15 AYINI DOLDURANA KADAR ÖNE DÖNÜK KONUMDA KULLANMAYIN** (Talimatlara başvurun).
- ! Geliştirilmiş çocuk koltuğu, saklama bölmeleri veya araç tavanındaki sınırlı alan nedeniyle onaylı araçların hepsine sığmayabilir. Şüphenez varsa lütfen satıcınızla iletişime geçin veya bize ulaşın.
- ! Herhangi bir destek ayağı araç tabanıyla temas etmeli ve çocuğu tutan kayışlar çocuğun vücuduna göre ayarlanmalıdır ve kemerler bükülmemelidir.

UYARI

- ! Çocuğunuz bu geliştirilmiş çocuk koltuğuna yerleştirildikten sonra, emniyet kemeri doğru biçimde kullanılmalıdır. Leğen kemiğinin sıkıca kavranması için herhangi bir kucak kayışının aşağı doğru takıldığından ve gerildiğinden emin olun.
- ! Bir kazada şiddetli zorlanmalara maruz kaldığında bu geliştirilmiş çocuk koltuğu değiştirilmelidir. Bir kaza, göremediğiniz hasara neden olabilir.
- ! Yetkili makamın onayı olmadan cihazda herhangi bir değişiklik veya ekleme yapılması ve geliştirilmiş çocuk koltuğu üreticisi tarafından sağlanan montaj talimatlarının tam olarak yerine getirilmemesi durumlarında ortaya çıkabilecek tehlikeleri dikkate alın.
- ! Lütfen bu geliştirilmiş çocuk koltuğunu güneş altında bırakmayın; aksi durumda çocuğun cildi için çok ısınabilir. Çocuğu içine yerleştirmeden önce geliştirilmiş çocuk koltuğunu mutlaka dokunarak kontrol edin.
- ! Çocuğunuzu, geliştirilmiş çocuk emniyet sisteminde gözetimsiz **BIRAKMAYIN**.
- ! Çarpışma durumunda yaralanmalara neden olabilecek herhangi bir bavul veya diğer nesnelere uygun biçimde sabitlenmelidir.
- ! Geliştirilmiş çocuk emniyet sistemi, tekstil malzemeleri olmadan **KULLANILMAMALIDIR**.
- ! Koltuk performansının önemli bir parçasını oluşturduklarından, tekstil malzemeleri üretici firmanın önerdiğinin dışındakilerle değiştirilmemelidir.

UYARI

- ! Lütfen bu geliştirilmiş çocuk koltuğunu satın almadan önce aracınıza düzgün bir şekilde takılıp takılmadığını kontrol edin.
- ! Hiçbir geliştirilmiş çocuk koltuğu bir kazada yaralanmaya karşı tam koruma garanti edemez. Ancak bu geliştirilmiş çocuk koltuğunun doğru kullanılması, çocuğunuzun ciddi yaralanma veya ölüm riskini azaltacaktır.
- ! Bu geliştirilmiş çocuk koltuğunu bu kılavuzdaki talimatları dikkate almadan kurmayın; aksi durumda çocuğunuzu ciddi yaralanma veya ölüm riski altına sokabilirsiniz.
- ! Hasarlı veya eksik parçaları varsa bu geliştirilmiş çocuk koltuğunu kullanmayın.
- ! Omuz kayışları ve bacaklar arasındaki kasık kayışıyla doğru ve güvenli biçimde bağlanmasını engelleyebileceğinden, çocuğunuza geniş/büyük beden kıyafetler GİYDİRMEYİN.

Acil durum



Acil durum veya kaza halinde, ilk yardım ve tıbbi tedavi yoluyla çocuğunuzla hemen ilgilenilmesi çok önemlidir.

Ürün Bilgisi

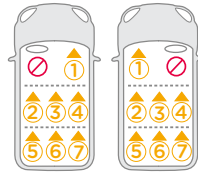
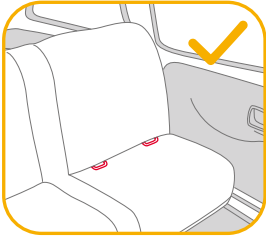
1. Bu, bir i-Size Geliştirilmiş Çocuk Emniyet Sistemidir. 129 No'lu BM Yönetmeliğine göre, aracın kullanım kılavuzunda araç üreticisi tarafından belirtilen i-Size uyumlu araç koltuğu konularında kullanım için onaylanmıştır.
2. Şüpheli duyulması durumunda, Geliştirilmiş Çocuk Emniyet Sisteminin üreticisine veya satıcısına danışın.

Malzemeler	Plastik, metal, kumaş
Patent No.	Patentler beklemededir

Kurulumunuzu Seçin

	Çocuk Boyutu	Kurulum Modu	Kurulum için şekil	Referans Yaş	Koltuk Konumu
ECE R129	40cm-105cm/ ≤21kg	Arkaya Dönük		Yaklaşık 4 yaş	Konum 1-5
	76cm-105cm/ ≤21kg	Öne Dönük		15 ay ila yaklaşık 4 yaş	Konum 1-5

Kurulum ile ilgili hususlar



Yan Darbe Koruması Kullanın

bkz. resim 1 - 2

1. Geliştirilmiş çocuk koltuğu, çıkarılabilir yan darbe koruma bölmesi ile birlikte teslim edilir. Yan darbe bölmesini kapıya en yakın tarafa yerleştirin. Kurulum 1'de gösterilmiştir.
2. Yan darbe korumasını çıkarmak için serbest bırakma düğmesine basın. 2

Baş Desteği ve Omuz Kayışları için Yükseklik Ayarı

bkz. resim 3 - 6

Lütfen baş desteğini ayarlayın ve omuz kayışlarının 3&4&5& numaralı resimlere uygun olarak doğru yükseklikte olduğunu kontrol edin 6

! Arkaya dönük moda kullanılırken Modu, omuz kayışı yüksekliği çocuğun omuzlarının üst kısmıyla eşit düzeyde veya üst kısmının hemen aşağısında olmalıdır. 3

! Öne dönük moda kullanılırken Modu, omuz kayışı yüksekliği çocuğun omuzlarının üst kısmıyla eşit düzeyde veya üst kısmının hemen üzerinde olmalıdır. 4

Baş desteği ayar koluna basın 5 ve baş desteğini 6 olarak gösterilen 6 konumdan birine oturana kadar yukarı çekin veya aşağı itin.

Yatırma Ayarı

bkz. resim 7 - 8

Yatırma ayarı düğmesine basıp, geliştirilmiş çocuk koltuğunu istenilen konuma ayarlayın. 7&8.

Hem arkaya dönük modu hem de öne dönük mod için kullanılabilen 5 yatırma konumu mevcuttur. 8

Taban Kurulumu

bkz. resim 9 - 15

1. Kurulumu yardımcı olmak için ISOFIX kılavuzlarını geçirin. 9
2. ISOFIX kısmını uzatmak için ISOFIX ayarlayıcı düğmesine basın. 11 -1&11 -2
3. Her iki ISOFIX konnektörünün de ISOFIX sabitleme noktalarına sıkıca takıldığından emin olun. Her iki ISOFIX konnektörü üzerindeki göstergelerin renkleri tamamen yeşil olmalıdır. 12 -1
- ! Koltuk arkalığını araç koltuğu arkalığına temas edene kadar iterken ISOFIX ayar düğmelerine tekrar basın.
4. ISOFIX bağlantısını yaptıktan sonra yük ayağını zemine doğru aşağı çekin. Yük ayağı göstergesi yeşil renkte olduğunda, yük ayağı doğru biçimde takılmıştır. 12 -2
5. Yük ayağı serbest bırakma düğmesini sıkın ve yük ayağı uzunluğunu ayarlayın. 12 -3
- ! Destek ayağının zeminle doğrudan temas ettiğinden ve çocuk içinde dengilen bile kilitli konumda olduğundan her zaman emin olun.

Koltuğun çıkarılması

1. Araçtan çıkarmak için, ISOFIX ayarlayıcı düğmesine basın ve taban arka kısmını koltuktan çekin. Ardından konnektörlere bastırıp aracın ISOFIX bağlantısından serbest bırakın. 14
2. Ulaşım sırasında hasarı önlemek için, ISOFIX ayarlayıcı düğmesine 15 -1 basın ve konnektörü tamamen katlayın. 15 -2

Arkaya dönük modda kullanma (Çocuğun boyu 40cm-105cm/Çocuğun kilosu ≤21kg/bebek - 4 yaş)

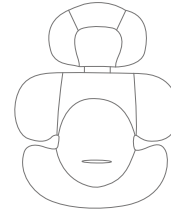
bkz. resim 16 - 23

- ! Geliştirilmiş çocuk koltuğunu aracın arka koltuğuna monte edin ve ardından çocuğu geliştirilmiş çocuk koltuğuna yerleştirin.
- Çocuğun yandan daha kolay yerleştirilmesi/çıkarılması amacıyla döndürmek için döndürme düğmesine basıp koltuğu arkaya dönük konuma döndürün. 16&17
- ! Geliştirilmiş çocuk koltuğunu döndürmek için herhangi bir taraftaki döndürme düğmesine basın.

Çocuğu Sabitleme

1. Omuz kayışı kemerlerini uzatmak için, omuz kayışlarını gevşetmek üzere çekerken kemer ayar düğmesine basın. 18
2. Kırmızı düğmeye basarak kemeri çözün. 19
3. Çocuğun arkaya dönük modda daha rahat yerleştirilmesini sağlamak için koltuğun her iki tarafında bulunan tokaları 20 numaralı resimde gösterildiği gibi sabitleyin.

Bebek Eklentisi Kullanımı



Bebek 60 cm'den kısayken tam bebek eklentisinin kullanılmasını öneririz; bebek eklentiye sığamayana kadar kullanılabilir. Bebek eklentisi yan darbe korumasını artırır.

4. Çocuğu geliştirilmiş çocuk koltuđuna yerleřtirip her iki kolu kemerlerden geirin.
 5. Tokayı takın. Ltfen 21 numaralı resme bařvurun.
 6. Ayar kayıřını ařađı ekin ve çocuđunuzun dođru biimde sabitlendiđinden emin olmak iin uygun uzunluđa ayarlayın. 22
- ! Çocuđu her zaman kemerde sabitleyin ve gevřekliđi gidererek uygun Őekilde sıkın.
- ! Çocuk ve omuz kemerleri arasındaki mesafenin yaklařık bir el kalınlıđında olduđundan emin olun.
- ! Koltuk yerine dndrldđnde ve dzgn bir Őekilde takıldıđında, dndrme dđmesi yeřil olur; aksi takdirde kırmızıdır. 23
- ! Çocuk iinde deđilken bile çocuk koltuđunun kilitleli konumda (arkaya dnk / ne dnk) olduđundan daima emin olun.

ne dnk modda kullanma
(Çocuđun boyu 76cm-105cm/Çocuđun kilosu ≤ 21kg/15 ay - yakl. 4 yař)

bkz. resim 24 - 31

- ! Geliřtirilmiř çocuk koltuđunu aracın arka koltuđuna monte edin ve ardından çocuđu geliřtirilmiř çocuk koltuđuna yerleřtirin.
- Çocuđun yandan daha kolay yerleřtirilmesi/ıkarılması amacıyla dndrmek iin dndrme dđmesine basıp koltuđu ne dnk konuma dndrn. 24&25
- ! Geliřtirilmiř çocuk koltuđunu dndrmek iin herhangi bir taraftaki dndrme dđmesine basın.

Çocuđu Sabitleme

1. Omuz kayıřı kemerlerini uzatmak iin, omuz kayıřlarını gevřetmek zere ekerken kemer ayar dđmesine basın. 26
 2. Kırmızı dđmeye basarak kemerin tokasını aın. 27
- ! ne bakan moddayken bebek eklentisini ıkarın. 28

3. Tokanın dillerini, diller sabit tutulacak Őekilde geliřtirilmiř çocuk koltuđunun dıř tarafındaki manyetik alana yerleřtirin.
 4. Çocuđu geliřtirilmiř çocuk koltuđuna yerleřtirip her iki kolu kemerlerden geirin.
 5. Tokayı takın.
 6. Ayar kayıřını ařađı ekin ve çocuđunuzun dođru biimde sabitlendiđinden emin olmak iin uygun uzunluđa ayarlayın. 29
 7. Koltuđu ne bakan moda dndrrken dndrme kilidi kapatma dđmesine 30-1 basın. 30-2
- ! Koltuk yerine dndrldđnde ve dzgn bir Őekilde takıldıđında, dndrme dđmesi yeřil olur; aksi takdirde kırmızıdır. 30
- ! Çocuk iinde deđilken bile çocuk koltuđunun kilitleli konumda (arkaya dnk / ne dnk) olduđundan daima emin olun.
- ! ISOFIX bađlayıcılar, ISOFIX sabitleme noktalarına takılmalı ve kilitlenmelidir. 31-1
- ! Yk ayađı dođru takılmalı ve gstergesi yeřil olmalıdır. 31 -2
- ! Çocuđu her zaman kemerde sabitleyin ve gevřekliđi gidererek uygun Őekilde sıkın.
- ! Çocuđunuz en az 76 cm VE 15 aylık olana dek ne dnk modu KULLANMAYIN.

Tekstil Malzemelerini Ayırın

bkz. resim 32 - 40

- Tokayı ıkarmak iin kırmızı dđmeye basın. 32
- Tekstil malzemelerini ayırmak iin 33 - 40 arası adımları izleyin.
- Tekstil malzemelerini tekrar takmak iin ltfen yukarıdaki adımları ters ynde izleyin.

Bakım ve Koruma

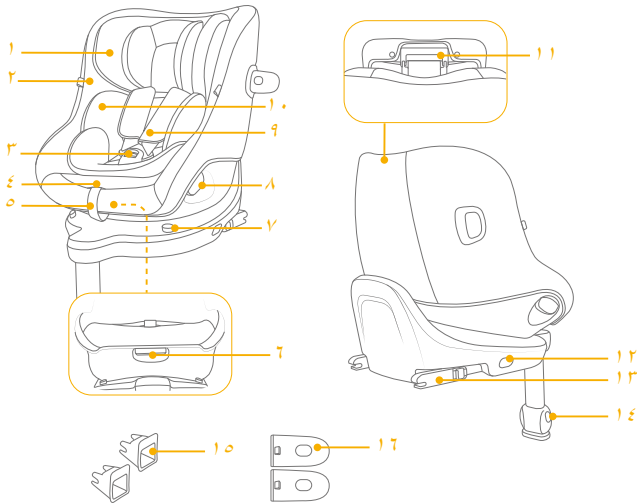
- ! Lütfen minderi çocuđun ulaşamayacağı bir yerde saklayın.
- ! Lütfen tekstil malzemelerini 30°C'nin altındaki sođuk suyla yıkayın.
- ! Tekstil malzemeleri ütölemeyin.
- ! Tekstil malzemelerinde ağartıcı kullanmayın veya kuru temizlemeye vermeyin.
- ! Geliştirilmiş çocuk koltuđunu veya tabanı yıkamak için, seyreltilmiş deterjan, gaz ya da başka bir organik çözelti kullanmayın. Bu işlem geliştirilmiş çocuk koltuđuna zarar verebilir.
- ! Fazla kuvvet uygulayarak kurutmak için tekstil malzemelerini bükmeyin. Tekstil malzemelerinde kırışıklık bırakabilir.
- ! Lütfen tekstil malzemelerini gölgede asılı olarak kurutun.
- ! Uzun süre kullanılmıyacaksa, lütfen geliştirilmiş çocuk koltuđunu araç koltuđundan çıkarın.



قائمة الأجزاء

يرجى التأكد من عدم وجود أي أجزاء مفقودة، ويرجى الاتصال بالمورِّع في حالة غياب أي من الأجزاء.

١ مسند الرأس	١٠ البطانة
٢ وسادة المقعد	١١ ذراع ضبط مسند الرأس
٣ إبزيم	١٢ زر ضابض ISOFIX
٤ زر ضبط مجموعة الأحزمة	١٣ وصلة ISOFIX
٥ شريط الضبط	١٤ زر ضبط ساق التحميل
٦ زر ضبط الإمالة	١٥ موجهات وصلات تثبيت ISOFIX
٧ آلية القفل الدوار	١٦ واقي الصدمات الجانبي
٨ زر التدوير	* يجب استخدامه في جانب الباب فقط
٩ أغطية مجموعة أحزمة الكتف	



لقد اشترت نظام تقييد حركة الطفل الذي يتمتع بجودة عالية وأمان تام ومعتمد بشكل كامل. هذا المنتج مناسب للاستخدام مع أطفال بأطوال وأوزان تصل إلى ١٠٥ سم و ٢١ كجم.

اقرأ دليل التعليمات هذا بعناية واتبع خطوات التركيب باعتبارها الطريقة الوحيدة لحماية طفلك من الإصابة الخطيرة أو الوفاة في حال وقوع حادث، ولتوفير الراحة لطفلك أثناء استخدام هذا المنتج.

احتفظ بدليل التعليمات هذا للرجوع إليه مستقبلاً.

يرجى التأكد مما يلي

لاستخدام هذا النظام المطور لتقييد حركة الطفل من Joie مع وصلات i-Size ISOFIX وفقاً للأنحة الأمم المتحدة رقم ٠٢/١٢٩، يجب أن تتوفر في طفلك الشروط التالية.

التوجيه للخلف: طول الطفل ٤٠-١٠٥ سم/وزنه ≥ ٢١ كجم؛

المواجهة للأمام: سن الطفل ≤ ١٥ شهراً/ طول الطفل ٧٦-١٠٥ سم/ وزن الطفل ≥ ٢١ كجم

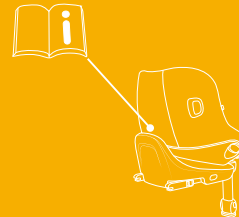
الرجاء قراءة جميع التعليمات الواردة في هذا الدليل قبل تركيب المنتج واستخدامه.

! مهم: احتفظ بهذا الدليل للرجوع إليه في المستقبل.

الرجاء قراءته بعناية

يرجى الاحتفاظ بدليل التعليمات في حجرة التخزين الموجودة في الجزء الخلفي من المقعد كما هو موضح بالشكل.

للاطلاع على معلومات الضمان؛ يرجى زيارة موقعنا على الويب، وعنوانه joiebaby.com



تحذير

يرجى العلم بأنه يتعين وضع العناصر الصلبة والأجزاء البلاستيكية وتركيبها في النظام المطور لتقييد حركة الطفل بحيث لا تكون عرضة للاحتجاز في مقعد متحرك أو في أحد أبواب السيارة أثناء الاستخدام اليومي للسيارة.

لا تستخدم الأنظمة المطورة لتقييد حركة الطفل المواجهة للخلف في أوضاع جلوس تكون فيها الوسادة الهوائية الأمامية نشطة.

لا تستخدم هذا النظام المطور لتقييد حركة الطفل وفقاً للناحية الأمامية المتحددة رقم ٠٣/١٢٩، يجب أن تتوفر في طفلك الشروط التالية.

وضع المواجهة للخلف: طول الطفل ٤٠-١٠٥ سم/وزنه الأقصى ٢١ كجم؛

وضع المواجهة للأمام: طول الطفل ٧٦-١٠٥ سم/وزنه الأقصى ٢١ كجم؛

مهم - لا تستخدم وضع المواجهة للأمام قبل أن يصبح الطفل أكبر من ١٥ شهراً (راجع التعليمات).

قد لا يصلح النظام المطور لتقييد حركة الطفل للاستخدام في جميع

المركبات المعتمدة بسبب حجيرات التخزين أو ضيق الحيز إلى سقف المركبة. إذا ساورك شك، يرجى التواصل مع الموزع أو التواصل معنا.

ينبغي أن تكون أي ساق داعمة ملامسة لأرضية المركبة، وأن يتم ضبط أي أحزمة تقييد لحركة الطفل وفقاً لجسمه، وألا تكون الأحزمة ملتوية.

تحذير

بعد وضع الطفل في هذا النظام المطور لتقييد حركة الطفل، يجب استخدام حزام الأمان بشكل صحيح. احرص على شد وتثبيت حزام الفخذ عند مستوى منخفض، بحيث يتم ربطه بإحكام على الحوض.

يتعين استبدال هذا النظام المطور بعد تعرضه لضغوط عنيفة في حادث. فقد تتسبب الحوادث في إلحاق أضرار به ولا يمكن رؤيتها.

انتبه إلى خطر إجراء أي تعديلات أو إضافات للجهاز بدون موافقة

السلطة المختصة، وخطر عدم اتباع تعليمات التركيب بحذافيرها المقدمة من قبل جهة تصنيع هذا النظام المطور.

الرجاء الاحتفاظ بهذا النظام المطور بعيداً عن أشعة الشمس؛ وإلا، فقد

يسخن للغاية ويضر ببشرة الطفل. وحرص دائماً على اختبار النظام المطور باللمس قبل وضع الطفل بداخله.

لا تترك الطفل دون مراقبة في النظام المطور.

يجب إحكام تثبيت أي أمتعة أو أي أشياء أخرى قد تحدث إصابات في حالة حدوث تصادم.

لا يُستخدم النظام المطور بدون الأجزاء اللينة.

يتعين عدم استبدال الأجزاء اللينة بأي أشياء أخرى بخلاف الموصى بها من قبل المُصنِّع حيث إن القطع اللينة (المنسوجات) تشكل جزءاً لا يتجزأ من أداء هذا المقعد الداعم.

- ! يرجى التحقق من إمكانية تركيب النظام المطور بشكل سليم في السيارة قبل شرائه.
- ! ليس هناك أي نظام تقييد حركة طفل مطور ضمن الحماية الكاملة عند وقوع حادث. لكن الاستخدام السليم لهذا النظام المطور من شأنه تقليل خطر تعرض طفلك لإصابة جسيمة أو الوفاة.
- ! تجنب تركيب نظام تقييد حركة الطفل المطور هذا دون اتباع التعليمات الواردة في هذا الدليل؛ وإلا، فقد تعرض طفلك لخطر الإصابة الجسيمة أو الوفاة.
- ! لا تستخدم هذا النظام المطور إذا كان تالفًا أو به أجزاء مفقودة.
- ! لا تلبس طفلك ملابس واسعة/كبيرة الحجم؛ لأن هذا قد يحول دون تثبيت الطفل بشكل سليم ومحكم بواسطة أشرطة مجموعة أحزمة الكتف وحزام مفرق الساقين.

الطوارئ

في حالة الطوارئ أو الحوادث، من الأهمية بمكان العناية بطفلك باستخدام الإسعافات الأولية وطلب المعالجة الطبية فورًا.

معلومات المنتج

- ١- هذا نظام مطور من فئة i-Size لتقييد حركة الطفل، ويعتمد وفقًا للائحة الأمم المتحدة رقم ١٢٩ للاستخدام في وضعيات مقاعد السيارة المتوافقة مع الفئة i-Size كما هو موضح من قبل مصنعي السيارات في دليل استخدام السيارة.
 - ٢- إذا ساورك شك، فاستشر مصنّع المقعد المطور أو الموزع.
- الخامات بلاستيك، معدن، قماش
- رقم براءة الاختراع في انتظار الحصول على براءة اختراع

استخدام وافي الصدمات الجانبي

راجع الصور ١ - ٢

- يأتي النظام المطور لتقييد حركة الطفل مزودًا بطرف جانبي واقٍ من الصدمات وقابل للتركيب. أدخل الطرف الواقي من الصدمات الجانبية في الجانب الأقرب إلى الباب. ويمكن الاطلاع على كيفية التركيب في الصورة ١.
- اضغط على زر التحرير لفتح وافي الصدمات الجانبي. ٢

ضبط الارتفاع مسند الرأس وأحزمة الكتف

راجع الصور ٣ - ٦



- يرجى ضبط مسند الرأس والتحقق من ضبط مجموعة أحزمة الكتف على الارتفاع الصحيح وفقًا للصور ٣ و ٤ و ٥ و ٦.
- عند الاستخدام في وضع المواجهة للخلف، يجب أن تكون مجموعة أحزمة الكتف مستوية مع قمتي كتفي الطفل أو أدناها قليلاً. ٦
- عند الاستخدام في وضع المواجهة للأمام، يجب أن تكون مجموعة أحزمة الكتف مستوية مع قمتي كتفي الطفل أو أعلاهما قليلاً. ٤
- اضغط بقوة على ذراع ضبط مسند الرأس ٥ واسحب مسند الرأس لأعلى أو ادفعه لأسفل إلى أن تسمع صوت استقراره في أحد المواضع الستة، كما هو مبين في ٦.

ضبط الإمالة

راجع الصور ٧ - ٨

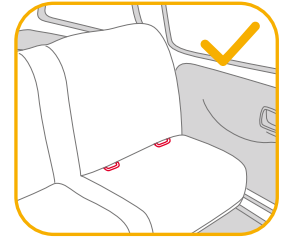
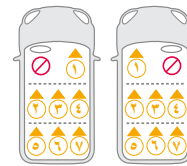
- اضغط على زر ضبط الإمالة لضبط النظام المطور لتقييد حركة الطفل على الموضع المطلوب. ٧ و ٨.
- توجد ٥ مواضع إمالة يمكن استخدامها في كل من وضعي المواجهة للخلف والمواجهة للأمام. ٨

اختيار وضع التركيب

وضع المقعد	العمر المرجعي	شكل التركيب	وضع التركيب	حجم الطفل
الموضع ٥-١	حوالي ٤ سنوات		التوجيه للخلف	٤٠ سم-١٠٥ سم / ٢١ كجم
الموضع ٥-١	من ١٥ شهرًا إلى ٤ سنوات تقريبًا		المواجهة للأمام	٧٦ سم-١٠٥ سم / ٢١ كجم

ECE R129

أمور متعلقة بالتركيب



تركيب القاعدة

راجع الصور ٩ - ١٥

- ١- أدخل موجهي ISOFIX للمساعدة في التركيب. ٩
- ٢- اضغط على زر ضابط ISOFIX لإزالة ISOFIX. ١١ و ١٠ و ٢
- ٣- تأكد من إحكام تركيب وصلتي ISOFIX في نقطتي تثبيت ISOFIX. ومن المفترض أن يضيء المؤشران في وصلتي ISOFIX باللون الأخضر بالكامل. ١٢ و ١
- ! اضغط على أزرار ضبط ISOFIX مرة أخرى أثناء دفع المقعد للخلف حتى يتلامس مع مسند الظهر بمقعد السيارة.
- ٤- بعد تركيب ISOFIX، اسحب ساق التحميل للأسفل نحو الأرضية. عندما يصبح مؤشر ساق التحميل أخضر اللون، تكون حينها ساق التحميل مركبة بشكل صحيح. ١١ و ٢
- ٥- اضغط على زر إطلاق ساق التحميل، ثم اضبط طول ساق التحميل. ١٢ و ٣
- ! تأكد دائماً من تلامس الساق الداعمة مع الأرضية مباشرة ووجودها في موضع القفل حتى عندما لا يكون الطفل في النظام.

إزالة المقعد

- ١- لإزالة القاعدة من السيارة اضغط على زر ضابط ISOFIX واسحب القاعدة للخلف من المقعد. ثم اضغط وحرر الوصلات من نظام ISOFIX الموجود بالسيارة. ١٤
- ٢- لتفادي التلف أثناء النقل اضغط على زر ١٥ و ١٠ ضابط ISOFIX وقم بطي الوصلة تماماً. ١٥ و ٢

الاستخدام في وضع المواجهة للخلف

(طول الطفل ٤٠-١٠٥ سم/وزنه ≥ ٢١ كجم/من سن الرضاعة إلى ٤ سنوات)

راجع الصور ١٦ - ٢٣

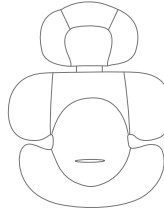
- ! ثبت النظام المطور لتثبيت حركة الطفل على مقعد السيارة الخلفي، ثم ضع الطفل في النظام المطور. اضغط على زر التدوير للاستدارة من أجل وضع/رفع الطفل من الجانب بسهولة، ثم لف المقعد لوضع التوجيه للخلف. ١٦ و ١٧
- ! اضغط على زر التدوير الموجود على أي جانب من الجانبين لتدوير نظام تثبيت حركة الطفل المطور.

تأمين الطفل

- ١- لتطويل مجموعة أحزمة الكتف، اضغط على زر ضبط مجموعة الأحزمة أثناء سحب مجموعة الأحزمة للخارج لإرخائها. ١٨
- ٢- افتح إبريم مجموعة الأحزمة بالضغط على الزر الأحمر. ١٩
- ٣- ثبت الأباريم الموجود على كلا جانبي المقعد كما هو موضح في ٢٠ الموجودة على كلا جانبي المقعد بحيث يصبح وضع الطفل داخل النظام مريحاً بشكل أكبر في وضعية المواجهة للخلف.

استخدام بطانة الرضيع

نوصي باستخدام بطانة الرضيع الكاملة عندما يقل طول الطفل عن ٦٠ سم ويمكن استخدامها حتى تصبح ضيقة عليه. تزيد بطانة الرضيع من الحماية الجانبية من الصدمات.



٤- ضع الطفل في نظام تقييد حركة الطفل المطوّر ومرر ذراعيه من خلال الأحزمة.

٥- عشّق الإبزيم. يرجى الرجوع إلى ١١

٦- اسحب حزام التعديل لأسفل، وقم بتعديله حتى الوصول إلى الطول المناسب لضمان أمان الطفل. ١٢

! إبقِ الطفل دائماً مؤمناً من خلال الأحزمة واربطه بشكل سليم من خلال إزالة أي ارتخاء بالأحزمة.

! تأكد من أن المسافة بين الطفل وأشرطة حزام الكتف تساوي سُمك يد واحدة تقريباً.

! بعد تدوير المقعد في مكانه وإحكام تثبيته بشكل سليم، سيضيء زر التدوير باللون الأخضر؛ وإلا،

فسيضيء باللون الأحمر. ١٣

! تأكد دائماً من ضبط المقعد على موضع القفل (وضع المواجهة للخلف/المواجهة للأمام) حتى عندما

لا يكون الطفل فيه.

الاستخدام في وضع المواجهة للأمام

(طول الطفل ٧٦-١٠٥ سم/وزنه ≥ 21 كجم/ ١٥ شهراً - ٤ سنوات تقريباً)

راجع الصور ٢٤ - ٣١

! ثبت النظام المطوّر لتقييد حركة الطفل على مقعد السيارة الخلفي، ثم ضع الطفل في النظام المطوّر.

اضغط على زر التدوير للتدوير إلى الجانب الأسهل لإدخال الطفل أو إخراجها، ثم أدر المقعد إلى وضع

المواجهة للأمام. ١٤ و ١٥

! اضغط على زر التدوير الموجود على أي جانب من الجانبين لتدوير نظام تقييد حركة الطفل المطوّر.

تأمين الطفل

١- لتطويل مجموعة أحزمة الكتف، اضغط على زر ضبط مجموعة الأحزمة أثناء سحب مجموعة

الأحزمة للخارج لإرخائها. ١١

٢- افتح إبزيم مجموعة الأحزمة بالضغط على الزر الأحمر. ١٧

! أزل بطانة الرضيع عند استخدام وضع المواجهة للأمام. ١٨

٣- ضع السنة الإبزيم مقابل الجزء المغناطيسي على الجانب الخارجي للنظام المطوّر بحيث تستقر
الأسنة في أماكنها.

٤- ضع الطفل في نظام تقييد حركة الطفل المطوّر ومرر ذراعيه من خلال الأحزمة.

٥- عشّق الإبزيم.

٦- اسحب حزام التعديل لأسفل، وقم بتعديله حتى الوصول إلى الطول المناسب لضمان أمان الطفل. ١٩

٧- اضغط على زر آلية القفل الدوار (١٦-١) في أثناء تدوير المقعد إلى وضع المواجهة للأمام. ٢٠-٢

! بعد تدوير المقعد في مكانه وإحكام تثبيته بشكل سليم، سيضيء زر التدوير باللون الأخضر؛ وإلا،

فسيضيء باللون الأحمر. ٢٠

! تأكد دائماً من ضبط المقعد على موضع القفل (وضع المواجهة للخلف/المواجهة للأمام) حتى عندما

لا يكون الطفل فيه.

! يجب تركيب وصلتي ISOFIX وإحكام تثبيتهما في نقطتي تثبيت ISOFIX. ٣١-١

! يجب تركيب ساق التحميل بشكل صحيح من خلال التأكد من إضاءة مؤشرها باللون الأخضر. ٣١-٢

! إبقِ الطفل دائماً مؤمناً من خلال الأحزمة واربطه بشكل سليم من خلال إزالة أي ارتخاء بالأحزمة.

! لا تستخدم وضع المواجهة للأمام حتى يصبح طول الطفل ٧٦ سم وسنه ١٥ شهراً على الأقل.

فك الأجزاء اللينة

راجع الصور ٣١ - ٤٠

اضغط على الزر الأحمر لفك تشبيك الإبزيم. ٣١

اتبع الخطوات ٣٢ - ٤٠ لفك الأجزاء اللينة.

إعادة تركيب الأجزاء اللينة، يُرجى تكرار الخطوات سالفة الذكر ولكن بالترتيب العكسي.

العناية والصيانة

- ! يرجى تخزين الوسادة بعيدًا عن متناول الطفل.
- ! يرجى غسل الأجزاء المستهلكة بماء بارد بدرجة حرارة أقل من ٣٠ درجة مئوية.
- ! تجذب كي القطن اللينة.
- ! لا تستخدم مادة تبييض أثناء غسل القطن اللينة، وتجنب التنظيف الجاف.
- ! لا تستخدم منظفات غير مخففة أو بنزيتًا أو مذيبات عضوية أخرى لغسل النظام المطور لتقييد حركة الطفل أو قاعدته. فقد يتسبب ذلك في تلف نظام تقييد حركة الطفل المطور.
- ! لا تعصر الأجزاء اللينة بقوة مفرطة لتجفيفها. فقد يؤدي ذلك إلى ترك تجاعيد عليها.
- ! يرجى تجفيف الأجزاء اللينة بتعليقها في الظل.
- ! يرجى فك النظام المطور من مقعد السيارة إذا كنت تنوي عدم استخدامه لمدة زمنية طويلة.



Nabavili ste visokokvalitetnu, potpuno certificiranu dječju autosjedalicu sa sigurnosnim značajkama. Ovaj je proizvod prikladan za djecu visine do 105 cm i težine do 21 kg.

Pažljivo pročitajte ovaj priručnik s uputama i slijedite postupke za postavljanje jer je to JEDINI način da svoje dijete zaštitite od ozbiljnih ozljeda ili smrti u slučaju nesreće, kao i da svom djetetu pružite udobnost dok koristi ovaj proizvod.

Spremite ove upute za uporabu za buduću uporabu.

Provjerite i potvrdite

Za korištenje ove Joie napredne dječje autosjedalice s i-Size ISOFIX priključcima u skladu s Uredbom UN-a br. 129/03 dijete mora imati sljedeće mjere.

Suprotno od smjera vožnje: Visina djeteta 40 cm - 105 cm / težina djeteta ≤ 21 kg;

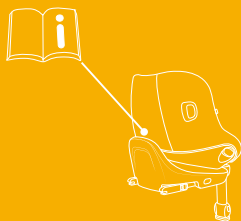
U smjeru vožnje: Dob djeteta ≥ 15 mjeseci / visina djeteta 76 cm - 105 cm / težina djeteta ≤ 21 kg;

Prije postavljanja i uporabe ovog proizvoda pročitajte sve upute u ovom priručniku.

! VAŽNO: SAČUVAJTE ZA BUDUĆU UPORABU. PAŽLJIVO PROČITAJTE.

Upute za uporabu čuvajte u odjeljku za pohranu na stražnjoj strani sjedalice kao na slici desno.

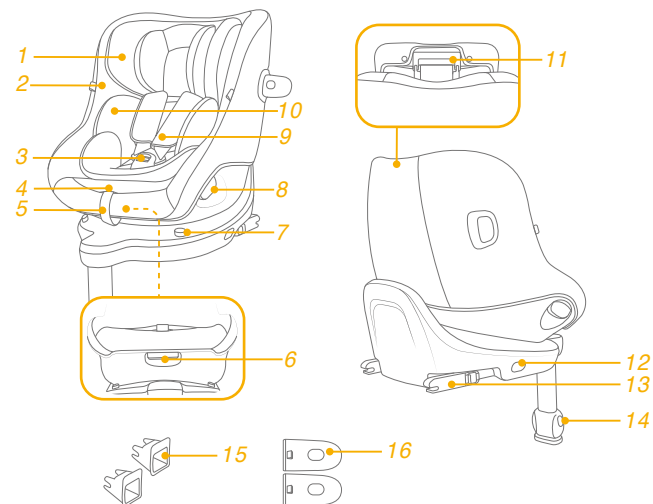
Za informacije o jamstvu posjetite web stranicu joiebaby.com



Popis dijelova

Provjerite jesu li isporučeni svi dijelovi i kako ništa ne nedostaje. Ako bilo što nedostaje obratite se prodavaču.

- | | |
|---|--|
| 1 Oslonac za glavu | 10 Umetak |
| 2 Jastuk sjedalice | 11 Ručica za podešavanje naslona za glavu |
| 3 Kopča | 12 Gumb za podešavanje ISOFIX priključka |
| 4 Gumb za podešavanje traka za pričvršćivanje djeteta | 13 ISOFIX priključak |
| 5 Trake za podešavanje | 14 Gumb za podešavanje potpornog nogara |
| 6 Gumb za podešavanje nagiba | 15 Vodilice ISOFIX priključaka |
| 7 Deblokada okretanja | 16 Zaštita od bočnog udara |
| 8 Okretni gumb | *mora se koristiti samo na strani bočnih vrata |
| 9 Jastučići traka za pričvršćivanje djetetovih ramena | |



UPOZORENJE

- ! **IMAJTE** na umu i pazite da čvrste i plastične dijelove napredne dječje autosjedalice ne postavite tako da se tijekom svakodnevnog korištenja vozila mogu zaglaviti pomičnim sjedalom ili vratima vozila.
- ! **NE KORISTITE** naprednu dječju autosjedalicu okrenutu obrnuto od smjera vožnje ako je aktiviran prednji zračni jastuk.
- ! Za korištenje ove napredne dječje autosjedalice u skladu s Uredbom UN-a br. 129/03 dijete mora imati sljedeće mjere.
- ! Smještaj u smjeru suprotnom od smjera vožnje: Visina djeteta 40 cm – 105 cm / maks. 21 kg; Smještaj u smjeru vožnje: Visina djeteta 76 cm – 105 cm / maks. 21 kg;
- ! **VAŽNO - NE KORISTITE DJEČJU AUTOSJEDALICU OKRENUTU U SMJERU VOŽNJE PRIJE DJETETOVIH NAVRŠENIH 15 MJESECI** (pogledajte upute).
- ! Naprednu dječju autosjedalicu možda neće biti moguće postaviti u sva odobrena vozila zbog odjeljaka za odlaganje ili malo slobodnog prostora do krova vozila. U slučaju nedoumice obratite se prodavaču ili nas kontaktirajte.
- ! Svaki potporni nogar mora biti u kontaktu s podom vozila, a sigurnosni pojasevi za pričvršćivanje djeteta moraju biti prilagođeni veličini djeteta i ne smiju biti savijeni.

UPOZORENJE

- ! Nakon postavljanja djeteta u ovu naprednu dječju autosjedalicu potrebno je pravilno pričvrstiti sigurnosne pojaseve. Provjerite je li pojas preko krila nisko postavljen kako bi zdjelica djeteta bila sigurno i dobro pričvršćena u slučaju sudara.
- ! Naprednu dječju autosjedalicu treba promijeniti ako je bila izložena snažnim udarcima tijekom automobilske nesreće. Automobilska nesreća može prouzročiti oštećenja koja nisu uočljiva.
- ! Imajte na umu opasnosti koje će nastati zbog preinaka ili dodataka na proizvodu bez odobrenja odgovarajućeg tijela te zbog nepridržavanja strogih uputa za ugradnju koje je naveo proizvođač napredne dječje autosjedalice.
- ! Naprednu dječju autosjedalicu držite izvan utjecaja izravnog sunčevog svjetla jer može biti prevruća za osjetljivu dječju kožu. Uvijek dodirnite naprednu dječju autosjedalicu prije no što u nju stavite dijete.
- ! **NIKAD NE** ostavljajte dijete bez nadzora u naprednoj dječjoj autosjedalici.
- ! Sva prtljaga ili drugi predmeti koji bi mogli prouzročiti ozljede u slučaju sudara moraju biti pravilno pričvršćeni.
- ! Napredna dječja autosjedalica **NE SMIJE SE KORISTITI** bez obloga i mekih dijelova.
- ! Obloge i meki dijelovi napredne dječje autosjedalice smiju se zamijeniti isključivo onima koje preporučuje proizvođač jer su i ti dijelovi bitni za učinkovitost i radna svojstva sigurnosnog sustava za dijete.

UPOZORENJE

- ! **Prije kupovine provjerite može li se ova napredna dječja autosjedalica pravilno ugraditi u vaše vozilo.**
- ! **NITI najnaprednija dječja autosjedalica ne može jamčiti potpunu zaštitu od ozljeda u automobilskoj nesreći. No, pravilna uporaba ove napredne dječje autosjedalice smanjit će rizik od ozbiljnih ozljeda ili smrti djeteta.**
- ! **NE POSTAVLJAJTE ovu naprednu dječju autosjedalicu ako se nećete strogo pridržavati uputa u ovom priručniku jer time svoje dijete možete dovesti u ozbiljnu opasnost od ozljeda i smrti.**
- ! **NE KORISTITE ovu naprednu dječju auto-sjedalicu ako je oštećena ili joj nedostaju dijelovi.**
- ! **NE ODIJEVAJTE djetetu odjeću koja je za njega prevelika jer to može onemogućiti pravilno pritezanje traka za pričvršćivanje djetetovih ramena i pričvrsnog remena između nogu.**

Hitan slučaj



U hitnom slučaju ili ako se dogodi bilo kakva nesreća najvažnije je pobrinuti se za dijete i odmah mu pružiti prvu pomoć i zdravstvenu skrb.

Podaci o proizvodu

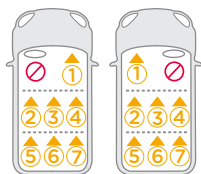
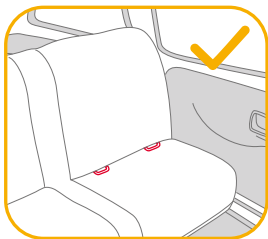
1. Ovo je i-Size napredna dječja autosjedalica. Odobrena je prema Uredbi UN-a br. 129 za uporabu u i-Size kompatibilnim sjedećim položajima u vozilu kako je navedeno u korisničkom priručniku proizvođača vozila.
2. U slučaju nedoumice provjerite kod proizvođača naprednog sustava pričvršćivanja djeteta ili prodavača.

Materijali	Plastika, metal, tkanine
Patent br.	Patenti prijavljeni i čekaju registraciju

Odaberite način postavljanja

	Veličina djeteta	Način postavljanja	Prikaz postavljanja	Približna dob	Položaj sjedenja
ECE R129	40 cm - 105 cm / ≤ 21 kg	Suprotno od smjera vožnje		Pribl. 4 godine	Položaj 1 - 5
	76 cm - 105 cm / ≤ 18 kg	U smjeru vožnje		15 mjeseci do približno 4 godine	Položaj 1 - 5

O čemu voditi računa prilikom postavljanja



Upotreba zaštite od bočnog udara

pogledajte slike 1 - 2

1. Napredna dječja autosjedalica isporučuje se s podloškom za zaštitu od bočnog udara koja se može ukloniti. Umetnite podlošku za zaštitu od bočnog udara na stranu najbližu vratima. Postavljanje je prikazano na slici 1.
2. Pritisnite gumb za oslobađanje radi uklanjanja zaštite od bočnog udara. 2

Podešavanje visine

oslonac za glavu i trake za pričvršćivanje djetetovih ramena

pogledajte slike 3 - 6

Namjestite oslonac za glavu i provjerite jesu li trake za pričvršćivanje ramena na ispravni visini prema slikama 3 i 4 i 5 i 6

! Kad se dječja autosjedalica koristi okrenuta suprotno od smjera vožnje trake za pričvršćivanje djetetovih ramena moraju biti u ravnini ili malo ispod djetetovih ramena. 3

! Kad se dječja autosjedalica koristi okrenuta u smjeru vožnje trake za pričvršćivanje djetetovih ramena moraju biti u ravnini ili malo iznad djetetovih ramena. 4

Pritisnite ručicu za podešavanje oslonca za glavu 5 istodobno povlačeći ili gurajući oslonac za glavu prema gore ili gurajući ga prema dolje dok ne škljocne i smjesti se u jedan od 6 položaja, kao na slici 6.

Podešavanje nagiba

pogledajte slike 7 - 8

Pritisnite gumb za podešavanje nagiba i namjestite naprednu dječju autosjedalicu u željeni položaj. 7 i 8.

Postoji 5 položaja nagiba koji se mogu koristiti i za sjedalicu postavljenu u smjeru vožnje i suprotno od smjera vožnje. 8

Postavljanje baze

pogledajte slike 9 - 15

1. Umetnite ISOFIX vodilice koje će pomoći pri postavljanju. **9**
2. Pritisnite gumb za podešavanje ISOFIX priključka kako biste produžili ISOFIX. **11 -1 i 11 -2**
3. Provjerite jesu li oba ISOFIX priključka sigurno pričvršćena na odgovarajuće ISOFIX točke sidrenja. Indikatori na oba ISOFIX priključka trebaju biti posve zeleni. **12 -1**
! Ponovno pritisnite gumb za podešavanje ISOFIX priključka dok sjedalicu gurate prema natrag dok ne dodirne naslon sjedala vozila.
4. Nakon priključivanja ISOFIX-a povucite potporni nogar prema dolje do poda. Kad je indikator potpornog nogara zelene boje, to znači da je nogar pravilno postavljen. **12 -2**
5. Stisnite gumb za oslobađanje potpornog nogara, a zatim ga skratite. **12 -3**
! Uvjerite se da je potporni nogar u kontaktu s podom vozila i da je blokiran u tom položaju i kad dijete nije u autosjedalici.

Uklanjanje sjedalice

1. Za uklanjanje iz vozila pritisnite gumb za podešavanje ISOFIX priključka i povucite bazu sa sjedala. Zatim pritisnite i oslobodite priključke iz ISOFIX nosača u vozilu. **14**
2. Za sprječavanje oštećenja tijekom prenošenja autosjedalice pritisnite gumb za podešavanje ISOFIX priključka **15 -1** i sasvim preklopite priključak. **15 -2**

Korištenje autosjedalice okrenute suprotno od smjera vožnje

(Visina djeteta 40 cm - 105 cm / težina djeteta ≤ 21 kg / beba do 4 godine starosti)

pogledajte slike 16 - 23

! Naprednu dječju autosjedalicu učvrstite na stražnje putničko sjedalo u vozilu, a zatim u nju stavite dijete.

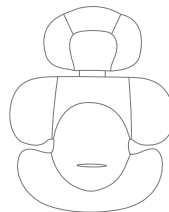
Pritisnite okretni gumb kako biste okrenuli autosjedalicu radi lakšeg stavljanja / vađenja djeteta s njezine bočne strane, a zatim je okrenite u smjeru suprotnom od smjera vožnje. **16 i 17**

! Pritisnite okretni gumb na bilo kojoj strani kako biste okrenuli naprednu dječju autosjedalicu.

Pričvršćivanje djeteta

1. Za produljivanje traka za pričvršćivanje ramena pritisnite gumb za podešavanje opreme za učvršćivanje dok izvlačite trake za ramena kako biste ih opustili. **18**
2. Otkopčajte trake za pričvršćivanje djeteta pritiskom na crveni gumb. **19**
3. Učvrstite kopče koje se nalaze na obje strane autosjedalice kako je prikazano na slici **20** da biste smještanje djeteta u smjeru suprotnom od smjera vožnje učinili jednostavnijim.

Upotreba umetka za bebu



Preporučujemo uporabu potpunog umetka za bebu sve dok je dijete manje od 60 cm, a može se koristiti dok beba ne preraste umetak. Umetak za bebu povećava zaštitu od bočnog sudara.

4. Stavite dijete u naprednu dječju autosjedalicu i provucite mu ruke ispod traka za pričvršćivanje djeteta.
 5. Zakopčajte kopču. Pogledajte sliku **21**
 6. Povucite prema dolje trake za podešavanje i namjestite ih na pravilnu duljinu tako da je dijete pravilno i sigurno pričvršćeno. **22**
- ! Dijete uvijek treba biti pričvršćeno u dječjoj sjedalici s pravilno pritegnutim trakama koje ni na kojem dijelu nisu labave.
 - ! Razmak između djeteta i traka sigurnosnih pojaseva za ramena mora biti približno debljine jedne ruke.
 - ! Kada je autosjedalica okrenuta na mjestu i pravilnim zahvaćanjem pričvršćena, okretni gumb bit će zelen; u suprotnom bit će crven. **23**
 - ! Uvijek provjerite je li autosjedalica blokirana na svom položaju (u smjeru suprotnom od vožnje / u smjeru vožnje) čak i kada dijete nije u njoj.

Korištenje autosjedalice u smjeru vožnje

(Visina djeteta 76 cm – 105 cm / težina djeteta ≤ 21 kg / od 15 mjeseci – približno 4 godine starosti)

pogledajte slike **24** - **31**

- ! Naprednu dječju autosjedalicu učvrstite na stražnje putničko sjedalo u vozilu, a zatim u nju stavite dijete.
- Pritisnite okretni gumb kako biste okrenuli autosjedalicu radi lakšeg stavljanja / vađenja djeteta s njezine bočne strane, a zatim je okrenite u smjeru vožnje prema naprijed. **24** i **25**
- ! Pritisnite okretni gumb na bilo kojoj strani kako biste okrenuli naprednu dječju autosjedalicu.

Pričvršćivanje djeteta

1. Za produljivanje traka za pričvršćivanje ramena pritisnite gumb za podešavanje opreme za učvršćivanje dok izvlačite trake za ramena kako biste ih opustili. **26**
 2. Otkopčajte kopču opreme za učvršćivanje pritiskom na crveni gumb na kopči. **27**
- ! Skinite umetak za bebu kad autosjedalicu počnete koristiti okrenutu u smjeru vožnje. **28**

3. Stavite jezičke kopče prema magnetskom području na vanjskoj strani napredna dječje autosjedalice kako bi se jezičci postavili na svoje mjesto.
 4. Stavite dijete u naprednu dječju autosjedalicu i provucite mu ruke ispod traka za pričvršćivanje djeteta.
 5. Zakopčajte kopču.
 6. Povucite prema dolje trake za podešavanje i namjestite ih na pravilnu duljinu tako da je dijete pravilno i sigurno pričvršćeno. **29**
 7. Pritisnite gumb za deblokadu zakretanja **30-1** dok okrećete autosjedalicu za smještaj u smjeru vožnje. **30-2**
- ! Kada je autosjedalica okrenuta na mjestu i pravilnim zahvaćanjem pričvršćena, okretni gumb bit će zelen, u suprotnom bit će crven. **30**
 - ! Uvijek provjerite je li autosjedalica blokirana na svom položaju (u smjeru suprotnom od vožnje / u smjeru vožnje) čak i kada dijete nije u njoj.
 - ! ISOFIX priključci moraju biti sklopljeni i blokirani u ISOFIX točkama pričvršćivanja. **31-1**
 - ! Potporni nogar mora biti pravilno postavljen sa zelenim indikatorom. **31-2**
 - ! Dijete uvijek treba biti pričvršćeno u dječjoj sjedalici s pravilno pritegnutim trakama koje ni na kojem dijelu nisu labave.
 - ! NE koristite autosjedalicu okrenutu u smjeru vožnje dok dijete nije visoko barem 76 cm I BAREM 15 mjeseci staro.

Skidanje obloga

pogledajte slike **32** - **40**

- Pritisnite crveni gumb za otvaranje kopče. **32**
- Slijedite korake **33** - **40** za skidanje obloga i mekih dijelova.
- Za ponovno postavljanje obloga i mekih dijelova ponovite gore navedene korake suprotnim redoslijedom.

Briga i održavanje

- ! Podložak pohranite na mjesto izvan dohvata djeteta.
- ! Obloge i meke dijelove perite hladnom vodom temperature niže od 30 °C.
- ! Ne glačajte obloge i meke dijelove.
- ! Ne izbjeljujte niti nemojte kemijski čistiti obloge.
- ! Ne koristite nerazrijeđene deterđente, benzin ili druga organska otapala za pranje napredne dječje autosjedalice ili baze. To može oštetiti naprednu dječju autosjedalicu.
- ! Ne uvijajte obloge velikom silom radi iscjeđivanja i sušenja. To može izgužvati meke dijelove i ostaviti nabore.
- ! Meke dijelove objesite i sušite u hladu.
- ! Uklonite naprednu dječju autosjedalicu sa sjedala u vozilu ako se neće dulje vrijeme koristiti.



SV Välkommen till Joie™

Du har köpt en högkvalitativ, fullt certifierad säkerhetsbilbarnstol. Den här produkten är lämplig för användning med barn som är upp till 105 cm långa och väger upp till 21 kg.

Läs noga igenom denna bruksanvisning och följ installationsstegen eftersom det är det ENDA sättet att skydda ditt barn från allvarliga personskador eller dödsfall vid en eventuell olycka, samt för att göra det bekvämt för ditt barn när den här produkten används.

Spara denna bruksanvisning för framtida behov.

Bekräfta

För att använda denna Joie förstärkta bilbarnstol med i-Size ISOFIX-fästeanordningar, i enlighet med FN:s förordning nr 129/03, måste ditt barn uppfylla följande krav.

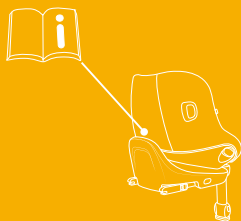
Bakåtvänd: Barnets längd 40 cm-105 cm/barnets vikt ≤ 21 kg;
Framåtvänd: Barnets ålder ≥ 15 m/barnets längd 76 cm-105 cm/
Barnets vikt ≤ 21 kg;

Läs igenom alla instruktionerna i denna bruksanvisning innan produkten installeras och används.

**! VIKTIGT: SPARA FÖR FRAMTIDA REFERENS.
LÄS IGENOM NOGA.**

Förvara bruksanvisningen i lagringsutrymmet på baksidan av sätet såsom visas i högra figuren.

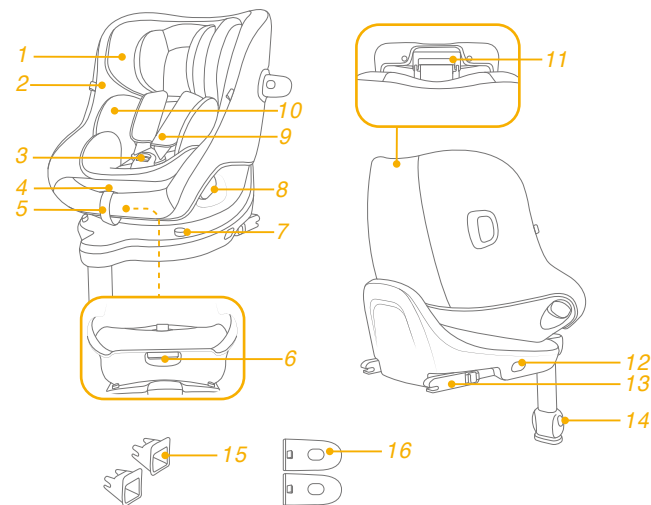
Besök vår webbplats joiebaby.com för att få garantiinformation



Lista över delar

Se till att det inte saknas några delar. Kontakta återförsäljaren om något saknas.

- | | | | |
|---|-----------------------------|----|-----------------------------------|
| 1 | Huvudstöd | 10 | Insats |
| 2 | Sittdyna | 11 | Inställningsspak för huvudstödet |
| 3 | Spänne | 12 | ISOFIX-justeringsknapp |
| 4 | Bältesinställningsknapp | 13 | ISOFIX-anslutning |
| 5 | Justeringsband | 14 | Justeringsknapp för stödben |
| 6 | Knapp för lutningsjustering | 15 | ISOFIX fästets styrskenor |
| 7 | Riktningsslås av | 16 | Sidokrockskydd |
| 8 | Rotationsknapp | | *Får endast användas på dörrsidan |
| 9 | Täckning axelremmar | | |



VARNING

- ! VAR försiktig så att du är säker på att de fasta föremålen och plastdelarna på den förstärkta bilbarnstolen är placerade och monterade så att de inte är benägna att fastna, i ett säte som rör sig eller någon av fordonets dörrar, vid de dagliga användningen av fordonet.
- ! Använd **INTE** framåtvända förstärkta bilbarnstolsystem på säten som det finns en aktiv krockkudde monterad framför.
- ! För att använda den här förstärkta bilbarnstolen i enlighet med FN-förordning nr 129/03 måste ditt barn uppfylla följande krav.
- ! Bakåtvänt läge: Barnets längd 40 cm–105 cm/max 21 kg
Framåtvänt läge: Barnets längd 76 cm–105 cm/max 21 kg
- ! **VIKTIGT - ANVÄND INTE FRAMÅTVÄND INNAN BARNET HAR UPPNÅTT EN ÅLDER PÅ 15 MÅNADER** (se instruktionerna).
- ! Den förstärkta bilbarnstolen kanske inte passar i alla godkända fordon, på grund av förvaringsutrymmen eller begränsat avstånd till fordonets tak. Ta vid tveksamheter kontakt med återförsäljaren eller hör av dig till oss.
- ! Alla stödben ska ha kontakt med fordonets golv och alla remmar som spänner fast barnet ska vara justerade mot barnets kropp och de får inte vara tvinnade.

VARNING

- ! När barnet placerats i denna förstärkta bilbarnstol måste bilbältet användas korrekt. Se till att säkerställa att höftbandet sitter lågt ned, så att bäckenet är ordentligt fastsatt, skall vara spänt.
- ! Den här förstärkta bilbarnstolen bör bytas ut efter att den har utsatts för kraftig påverkan vid en olycka. En olyckshändelse kan orsaka skador på den som inte är synliga med blotta ögat.
- ! Överväg risken med att utföra några ändringar eller tillägg på enheten utan godkännande från adekvat myndighet och riskerna med att inte noga följa monteringsanvisningarna som tillverkaren inkluderat med bilbarnstolen.
- ! Håll den här förstärkta bilbarnstolen borta från solljus eftersom den i annat fall kan bli för het för barnets hud. Känn alltid på den förstärkta bilbarnstolen innan du placerar barnet i den.
- ! Lämna **ALDRIG** ditt barn utan uppsikt i eller vid det här förstärkta bilbarnstolsystemet.
- ! Allt bagage eller andra föremål som kan orsaka personskador vid en kollision måste vara ordentligt säkrade.
- ! Det förstärkta bilbarnstolsystemet **SKA INTE ANVÄNDAS** utan tygdelarna.
- ! Det mjuka materialet får inte ersättas med något annat material än det som rekommenderas av tillverkaren, eftersom det mjuka materialet utgör en integrerad del av bilbarnstolens egenskaper.

VARNING

- ! Kontrollera om den här förstärkta bilbarnstolen kan monteras på rätt sätt i ditt fordon innan du köper den.
- ! INGEN förstärkt bilbarnstol kan garantera ett fullständigt skydd mot personskador vid en olycka. Däremot minskar en korrekt användning av den här förstärkta bilbarnstolen risken för allvarliga personskador eller dödsfall för ditt barn.
- ! Installera INTE den här förstärkta bilbarnstolen utan att följa instruktionerna i denna bruksanvisning eftersom du annars kan utsätta ditt barn för allvarliga skaderisker eller dödsfall.
- ! Använd INTE den här förstärkta bilbarnstolen om den är skadad eller om delar saknas.
- ! Låt INTE ditt barn bära stora/för stora kläder eftersom dessa kan förhindra att barnet sitter säkert och korrekt fastspänt med axelremmarna och grenbandet mellan benen.

Nödfall



Vid nödfall eller olyckor är det mycket viktigt att barnet omedelbart får första hjälpen och medicinsk behandling.

Produktinformation

1. Den här förbättrade bilbarnstolen är i-Size Den är godkänd enligt FN-förordning nr 129, för användning i i-Size kompatibelt fordonssäte, placerad såsom indikeras av fordonstillverkarens bruksanvisning.
2. Vid tveksamheter ska antingen tillverkaren eller återförsäljaren av system för förstärkt bilbarnstol rådfrågas.

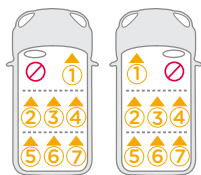
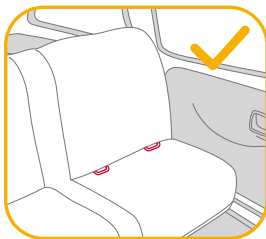
Material	Plast, metall, tyg
Patentnr.	Patent under ansökan

Välj din installation

Barnets storlek	Installationsläge	Bild för installation	Referensålder	Stolposition
40 cm-105 cm/ ≤ 21 kg	Bakåtvänd		Ung. 4 år	Position 1-5
76 cm-105 cm/ ≤ 21 kg	Framåtvänd		15 månader till ung. 4 år	Position 1-5

ECE R129

Installationsbekymmer



Använda sidokrockskyddet

se bilder ① - ②

1. Den förstärkta bilbarnstolen levereras med löstagbar sidokrockskyddskapsel. Sätt i sidokrockskapseln på den sida som är närmast dörren. Installationen visas i ①.
2. Tryck på frigöringsknappen för att ta bort sidokrockskyddet. ②

Höjdjustering för huvudstöd och axelselen

se bilder ③ - ⑥

Justera huvudstödet och kontrollera att axelselen har korrekt höjd enligt ③&④&⑤&⑥

- ! Vid användning i bakåtvänt läge måste axelremmarnas höjd vara i jämnhöjd med eller strax under översta punkten på barnets axlar. ③
- ! Vid användning i framåtvänt läge måste axelremmarnas höjd vara i jämnhöjd med eller strax ovanför översta punkten på barnets axlar. ④

Tryck på huvudstödet's inställningsspak ⑤ och dra upp eller tryck ner huvudstödet tills det klickar i ett av de 6 lägena, som visas på ⑥.

Lutningsjustering

se bilder ⑦ - ⑧

Tryck på knappen för lutningsjustering för att justera den förstärkta bilbarnstolen till den önskade positionen. ⑦&⑧.

Det finns 5 lutningslägen som kan användas för både bakåtvänt och framåtvänt läge. ⑧

Basinstallation

se bilder 9 - 15

1. Infoga ISOFIX-fästen för att hjälpa till med installationen. 9
2. Tryck på ISOFIX-justeringsknappen för att förlänga ISOFIX. 11 -1& 11 -2
3. Se till att båda ISOFIX-anslutningarna sitter fast i sina ISOFIX-förankringspunkter. Färgerna på indikatorerna på båda ISOFIX-anslutningarna skall vara helt gröna. 12 -1
- ! Tryck på ISOFIX-justeringsknapparna igen medan du skjuter stolen bakåt tills det kommer i kontakt med fordonssätets ryggstöd.
4. När ISOFIX anslutits ska stödbenet dras nedåt mot golvet. När stödbenets indikator visar grön, innebär detta att stödbenet installerats korrekt. 12 -2
5. Tryck på stödbenets frigöringsknapp och justera stödbenets längd. 12 -3
- ! Var alltid noga med att stödbenet har direktkontakt med golvet och är i den låsta positionen även när barnet inte är i den.

Ta av från sätet

1. För att ta bort från fordonet så tryck på ISOFIX-justeringsknappen och dra tillbaka basen från sätet. Tryck sedan på och släpp kontaktarna från fordonets ISOFIX. 14
2. För att förhindra skada under transporten så tryck på ISOFIX-justeringsknappen 15 -1 och vik ihop anslutningen helt. 15 -2

Använda det bakåtvända läget (Barnets längd 40 cm - 105 cm/barnets vikt ≤ 21 kg/spädbarn - 4 år)

se bilder 16 - 23

! Installera den förstärkta bilbarnstolen i baksätet och placera sedan barnet i den förstärkta bilbarnstolen.

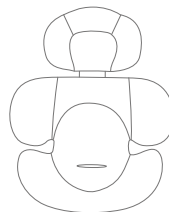
Tryck på roteringsknappen för att rotera så att det blir enklare att sätta i/ta ut barnet från sidan. Roter sedan sätet till bakåtvänt läge. 16&17

! Tryck på roteringsknappen på vardera sidan för att rotera den förstärkta bilbarnstolen.

Spänna fast barnet

1. Förläng axelselens remmar genom att trycka på selens justeringsknapp medan du drar axelselen utåt för att lossa. 18
2. Lossa selen genom att trycka på den röda knappen. 19
3. Fäst spännena på båda sidor av sätet som visas enligt 20, de sitter på båda sidor om sätet och gör placeringen av barnet i det bakre läget mer praktiskt.

Använd spädbarnsinsats



Vår rekommendation är att hela spädbarnsinsatsen används tills barnet är 60 cm och den kan användas tills barnet vuxit ur spädbarnsinsatsen. Spädbarnsinsatsen ökar skyddet för sidostötar.

4. Placera barnet i den förstärkta bilbarnstolen och trä båda armarna genom selen.
 5. Aktivera spännet. Se 21
 6. Dra ned bandinställningen och ställ in lämplig längd för att se till att barnet sitter ordentligt fast. 22
- ! Ha alltid barnet säkert i selen som ska vara ordentligt åtdragen, ta bort eventuellt slack.
 - ! Se till att utrymmet mellan barnet och axelselens remmar är som tjockleken på en hand.
 - ! När sitsen har roterats på plats och sitter fast ordentligt blir roteringsknappen grön; i annat fall är den röd. 23
 - ! Kontrollera alltid att sitsen är i den låsta positionen (bakåtvänd/framåtvänd) även när barnet inte är i den.

Använda det framåtvända läget
(Barnets längd 76 cm-105 cm/barnets vikt ≤ 21 kg/15 månader-ung. 4 år)

se bilder 24 - 31

- ! Installera den förstärkta bilbarnstolen i baksätet och placera sedan barnet i den förstärkta bilbarnstolen.
- Tryck på rotationsknappen för att rotera så att det blir enklare att sätta i/ta ut barnet från sidan. Roter sedan sätet till framåtvänt läge. 24 & 25
- ! Tryck på rotationsknappen på vardera sidan för att rotera den förstärkta bilbarnstolen.

Spänna fast barnet

1. Förläng axelselens remmar genom att trycka på selens justeringsknapp medan du drar axelselen utåt för att lossa. 26
 2. Lossa bältesspännet på axelselen genom att trycka på den röda knappen. 27
- ! Ta bort spädbarnsinsatsen i framåtvänt läge. 28

3. Placera spännets tungor mot det magnetiska området på utsidan av den förstärkta bilbarnstolen så att tungorna hålls på plats.
 4. Placera barnet i den förstärkta bilbarnstolen och trä båda armarna genom selen.
 5. Aktivera spännet.
 6. Dra ned bandinställningen och ställ in lämplig längd för att se till att barnet sitter ordentligt fast. 29
 7. Tryck på knappen som slår från riktningsslåset 30-1 medan du roterar sitsen till det framåtvända läget. 30-2
- ! När sitsen har roterats på plats och sitter fast ordentligt blir roteringsknappen grön, i annat fall är den röd. 30
 - ! Kontrollera alltid att sitsen är i den låsta positionen (bakåtvänd/framåtvänd) även när barnet inte är i den.
 - ! ISOFIX-anslutningarna måste fästas och låsas på ISOFIX-förankringspunkterna. 31-1
 - ! Stödbenet måste vara installerat korrekt med grön indikator. 31-2
 - ! Ha alltid barnet säkert i selen som ska vara ordentligt åtdragen, ta bort eventuellt slack.
 - ! Använd INTE framåtvänt läge förrän ditt barns längd är minst 76 cm OCH barnet är 15 månader fyllda.

Borttagning av mjuka delar

se bilder 32 - 40

- Tryck på den röda knappen för att öppna spännet. 32
- Följ stegen 33 - 40 för att ta bort det mjuka materialet.
- För att sätta tillbaka det mjuka materialet, upprepa stegen ovan i omvänd ordning.

Skötsel och underhåll

- ! Förvara dynan utom räckhåll för barn.
- ! Tvätta det mjuka materialet i kallt vatten under 30 °C.
- ! Stryk inte det mjuka materialet.
- ! Blek inte eller kemtvätta det mjuka materialet.
- ! Använd inte outspädda rengöringsmedel, bensin eller andra organiska lösningsmedel för att tvätta den förstärkta bilbarnstolen eller basen. Det kan skada den förstärkta bilbarnstolen.
- ! Vrid inte ur det mjuka materialet för att torka det. Det kan orsaka veck i det mjuka materialet.
- ! Häng upp det mjuka materialet och låt det torka i skuggan.
- ! Ta bort den förstärkta bilbarnstolen från fordonssätet om den inte skall användas under en längre tid.



NO Velkommen til Joie™

Du har kjøpt et fullsertifisert barnesete av høy kvalitet. Dette produktet er egnet for bruk med barn med høyde og vekt opptil og 105 cm og 21 kg.

Les denne bruksanvisningen nøye og følg installasjonstrinnene, da dette er den ENESTE måten å beskytte barnet mot alvorlig skade eller død ved en ulykke og for at barnet skal få det behagelig mens produktet brukes.

Ta vare på bruksanvisningen for fremtidig oppslag.

Bekreft

For at bruk av dette forbedrede barnesetet fra Joie med i-Size ISOFIX-kontakter skal være i henhold til FN-forskrift nr. 129/03 må barnet være innenfor følgende mål.

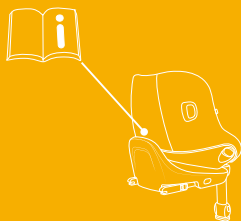
Bakovervendt: Barnets høyde 40-105 cm / Barnets vekt ≤ 21 kg;
Forovervendt: Barnets alder ≥ 15 m / Barnets høyde 76-105 cm /
Barnets vekt ≤ 21 kg;

Les alle instruksjonene i denne bruksanvisningen før du monterer og bruker produktet.

**! VIKTIG: BEHOLD FOR FREMTIDIG OPPSLAG.
LES NØYE.**

Oppbevar bruksanvisningen i oppbevaringsrommet bak setet som på figuren til høyre.

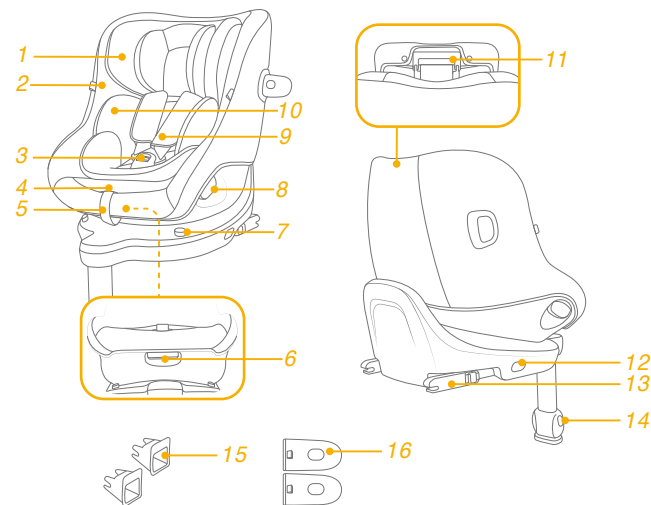
Du finner garantiinformasjon på vårt nettsted: joiebaby.com



Deleliste

Sørg for at det ikke er noen deler som mangler. Ta kontakt med forhandleren hvis noe mangler.

- | | | | |
|---|---------------------|----|-----------------------------|
| 1 | Hodestøtte | 10 | Innlegg |
| 2 | Setepute | 11 | Hodestøttejusteringsspak |
| 3 | Spenne | 12 | ISOFIX-justeringsknapp |
| 4 | Selejusteringsknapp | 13 | ISOFIX-kontakt |
| 5 | Justeringsnetting | 14 | Justeringsknapp for lastben |
| 6 | Ryggjusteringsknapp | 15 | ISOFIX-kontaktfører |
| 7 | Svinglås | 16 | Sidestøtvern |
| 8 | Dreieknapp | | *må kun brukes på dørsiden |
| 9 | Skulderbeltetrekk | | |



ADVARSEL

- ! SØRG FOR at de stive gjenstandene og plastdelene på det forbedrede barnesetesystemet blir plassert og installert slik at de ikke kan hemmes av et flyttbart sete eller en av bilens dører under hverdagslig bruk av kjøretøyet.
- ! IKKE bruk bakovervendte forbedrede barnesetesystemer i sitteplasser der en aktiv frontkollisjonspute er installert.
- ! For at bruk av dette forbedrede barnesetet skal være i henhold til FN-forskrift nr. 129/03 må barnet være innenfor følgende mål:
 - ! Bakovervendt bruk: Barnets høyde 40–105 cm / maks. 21 kg;
 - ! Fremovervendt bruk: Barnets høyde 76–105 cm / maks. 21 kg;
- ! VIKTIG - IKKE BRUK FREMOVERLENT FØR BARNET ER MINST 15 MÅNEDER (se instruksjonene).
- ! Det forbedrede barnesetet passer kanskje ikke i alle godkjente kjøretøy, på grunn av oppbevaringsrom eller begrenset avstand til taket i kjøretøyet. Ved tvil bes du kontakte forhandleren eller oss.
- ! Støtteben skal være i kontakt med bilgulvet, og eventuelle remmer som barnet skal tilpasses kroppen til barnet. Remmer skal ikke vris.

ADVARSEL

- ! Når barnet er satt i det forbedrede barnesetet, må sikkerhetsbeltet brukes riktig. Sørg for at midjebelte legges lavt slik at skrittet er godt festet og under press.
- ! Dette forbedrede barnesetet bør byttes ut når den har vært utsatt for tunge belastninger i en ulykke. En ulykke kan føre til skade som du ikke kan se.
- ! Vær oppmerksom på faren ved endringer eller tillegg til enheten som gjøres uten godkjenning fra gjeldende myndighet eller hvis ikke installasjonsinstruksjonene gitt av produsenten til det forbedrede barnesetet følges.
- ! Hold dette forbedrede barnesetet borte fra sollys, da det kan bli for varmt for huden til barnet. Ta alltid på det forbedrede barnesetet før du setter barnet i det.
- ! IKKE legg barnet i dette forbedrede barnesetesystemet uten tilsyn.
- ! All bagasje eller andre gjenstander som kan gi personskader ved kollisjon, skal være forsvarlig festet.
- ! Det forbedrede barnesete systemet SKAL IKKE BRUKES uten de myke delene.
- ! De myke delene skal ikke byttes ut med noen andre enn de som er anbefalt av produsenten, da de er vesentlige for ytelsen til barnesetet.

ADVARSEL

- ! Kontroller om dette forbedrede barnesetet kan monteres riktig i kjøretøyet før du kjøper det.
- ! INGEN forbedrede barneseter kan garantere full beskyttelse mot skade ved en ulykke. Riktig bruk av dette forbedrede barnesetet vil imidlertid redusere risikoen at barnet ditt blir alvorlig skadet eller dør.
- ! IKKE monter det forbedrede barnesetet å uten å følge instruksjonene i denne håndboken, ellers kan barnet utsettes for alvorlig fare for skade eller død.
- ! IKKE bruk det forbedrede barnesetet hvis det er skadet eller deler mangler.
- ! IKKE kle barnet i store/overdimensjonerte klær, da dette kan hindre at barnet blir , ordentlig og sikkert festet med skulderbeltestroppene og skrittremmen mellom bena.

Nødsituasjon



Ved nødstilfeller eller ulykker er det viktigste at barnet blir tatt hånd om med førstehjelp og medisinsk behandling umiddelbart.

Produktinformasjon

1. Dette er et i-Size forsterket barnesetesystem. Den er godkjent i henhold til FN-forskrift nr. 129, for bruk i i-Size-kompatible sitteplasser som angitt av kjøretøyprodusentene i brukerhåndboken til kjøretøyet.
2. Hvis du er i tvil, tar du kontakt med produsenten eller forhandleren av det forbedrede barnesetet.

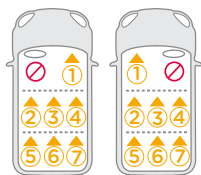
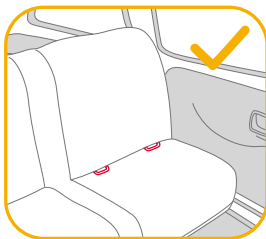
Materialer	Plast, metall, tekstiler
Patentnr.	Patentmeldt

Velg installasjon

Barnets størrelse	Installasjonsmodus	Figur for installasjon	Referansealder	Seteposisjon
40-105 cm/ ≤21 kg	Bakovervendt		Ca. 4 år	Posisjon 1-5
76-105 cm/ ≤21 kg	Fremovervendt		15 måneder til ca. 4 år	Posisjon 1-5

ECE R129

Merknader for installasjon



Bruk sidestøtbeskyttelse

se bilder ① - ②

1. Det forbedrede barnesetet leveres med en avtagbar beskyttelseskapsel mot sidestøt. Sett inn sidestøtkapselen på siden nærmest døren. Installasjon vist på ①.
2. Trykk utløserknappen for å fjerne beskyttelsen mot sidestøt. ②

Høydejustering for hodestøtte og skuldersele

se bilder ③ - ⑥

Juster hodestøtten og kontroller at skulderselele er i riktig høyde i henhold til ③&④&⑤&⑥

- ! Ved bakovervendt bruk må høyden på skulderselesporene være på høyde med eller like under toppen av skuldrene til barnet. ③
- ! Ved fremovervendt bruk må høyden på skulderselesporene være på høyde med eller like over toppen av skuldrene til barnet. ④

Trykk justeringsspaken for hodestøtten ⑤ mens du trekker opp eller ned hodestøtten til den klikker inn på en av de 6 posisjonene vist som ⑥.

Ryggjustering

se bilder ⑦ - ⑧

Trykk ryggjusteringsknappen for å sette det forbedrede barnesetet i ønsket posisjon. ⑦&⑧.

Det er 5 hvileposisjoner i både bakovervendt og fremovervendt bruk. ⑧

Baseinstallasjon

se bilder 9 - 15

1. Sett inn ISOFIX-festeførerne for å hjelpe deg med installasjonen. 9
 2. Trykk ISOFIX-justeringsknappen for å forlenge ISOFIX. 11 -1&41 -2
 3. Sørg for at begge ISOFIX-kontaktene er sikkert festet til ISOFIX-ankerpunktene. Fargene på indikatorene på begge ISOFIX-kontaktene skal være helt grønne. 12 -1
- ! Trykk ISOFIX-justeringsknappene igjen mens du skyver setet tilbake til den kommer i kontakt med ryggen på bilsetet.
4. Når ISOFIX er festet, trekker du lastbenet ned på gulvet. Når lastbenindikatoren blir grønn, er lastbenet riktig montert. 12 -2
 5. Klem utløserknappen for lastbenet, og juster lengden på lastbenet. 12 -3
- ! Sørg alltid for at støttebenet har direkte kontakt med gulvet og er i låst stilling selv når barnet ikke er i det.

Fjerne setet

1. Når du skal ta det ut av bilen, trykker du ISOFIX-justeringsknappen og trekker basen bort fra setet. Trykk og slipp deretter kontaktene fra bilens ISOFIX. 14
2. Trykk ISOFIX-justeringsknappen 15 -1 og brett kontakten helt for å forhindre skade under transport. 15 -2

Bakovervendt bruk

(Barnets høyde 40-105 cm / Barnets vekt 21 kg / spedbarn til 4 år)

se bilder 16 - 23

! Installer det forbedrede barnesetet på baksetet, og sett deretter barnet i det forbedrede barnesetet.

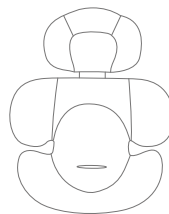
Trykk dreieknappen for å dreie setet slik at det blir lett å sette barnet inn og ta det ut, og dreie det rundt til bakovervendt stilling. 16&17

! Trykk dreieknappen på hver side for å dreie det forbedrede barnesetet.

Sikre barnet

1. Trykk selejusteringsknappen mens du trekker ut skulderselene for å løsne og forlenge skulderselebeltene. 18
2. Spenn opp selen ved å trykke den røde knappen. 19
3. Fest spennene på begge sidene av setet som vist på 20. Disse er på begge sidene av setet for å gjøre det lettere å plassere barnet i bakovervendt modus.

Bruke spedbarnsinnlegg



Vi anbefaler at du bruker hele komfortinnlegget så lenge barnet er under 60 cm; det kan brukes til barnet blir for stort for spedbarnsinnlegget. Spedbarnsinnlegget øker beskyttelsen mot støt fra siden.

4. Legg barnet i det forsterkede barnesetet, og legg legge armer gjennom selen.
 5. Fest spennen. Se **21**
 6. Trekk ned justeringsbåndet, og juster det til riktig lengde slik at barnet sitter godt fast. **22**
- ! Barnet skal alltid holdes godt i selen og strammet ordentlig; eventuelt slakk skal fjernes.
 - ! Sørg for at avstanden mellom barnet og skulderseleremmene har omtrent tykkelsen til en hånd.
 - ! Når setet er rotert på plass og riktig festet, viser dreieknappen grønt. Ellers viser den rødt. **23**
 - ! Pass alltid på at setet er i låst posisjon (bakovervendt / fremovervendt) selv når barnet ikke er i det.

Fremovervendt bruk

(Barnets høyde 76-105 cm / Barnets vekt ≤ 21 kg / 15 måneder - ca. 4 år)

se bilder **24** - **31**

- ! Installer det forbedrede barnesetet på baksetet, og sett deretter barnet i det forbedrede barnesetet.
- Trykk dreieknappen for å dreie setet slik at det blir lett å sette barnet inn og ta det ut, og dreie det rundt til fremovervendt stilling. **24** & **25**
- ! Trykk dreieknappen på hver side for å dreie det forbedrede barnesetet.

Sikre barnet

1. Trykk selejusteringsknappen mens du trekker ut skulderselene for å løsne og forlenge skulderselbeltene. **26**
 2. Lås opp låsespennen ved å trykke den røde knappen. **27**
- ! Fjern spedbarnsinnlegget i fremovervendt modus. **28**

3. Plasser spennetungene mot det magnetiske området på utsiden av det forbedrede barnesetet slik at de holdes på plass.
 4. Legg barnet i det forsterkede barnesetet, og legg legge armer gjennom selen.
 5. Fest spennen.
 6. Trekk ned justeringsbåndet, og juster det til riktig lengde slik at barnet sitter godt fast. **29**
 7. Trykk svinglås-knappen **30-1** mens du roterer setet slik at det er fremovervendt. **30-2**
- ! Når setet er rotert på plass og riktig festet, viser dreieknappen grønt. Ellers viser den rødt. **30**
 - ! Pass alltid på at setet er i låst posisjon (bakovervendt / fremovervendt) selv når barnet ikke er i det.
 - ! ISOFIX-kontaktene må festes og låses på ISOFIX-ankerpunktene. **31** -1
 - ! Lastbenet må monteres riktig med grønn indikator. **31** -2
 - ! Barnet skal alltid holdes godt i selen og strammet ordentlig; eventuelt slakk skal fjernes.
 - ! IKKE bruk fremovervendt med mindre barnets høyde er minst 76 cm OG alder 15 måneder.

Ta av de myke delene

se bilder **32** - **40**

- Trykk den røde knappen for å frigjøre spennen. **32**
- Følg trinnene **33** - **40** for å ta av de myke delene.
- Når du skal feste de myke delene igjen, gjentar du trinnene ovenfor i omvendt rekkefølge.

Stell og vedlikehold

- ! Oppbevar puten et sted utenfor barns rekkevidde.
- ! Vask de myke delene med kaldt vann under 30 °C.
- ! Ikke stryk de myke delene.
- ! Ikke bruk blekemiddel eller tørrens på de myke delene.
- ! Ikke bruk ufortynnede vaskemidler bensin eller andre organiske løsemidler til å vaske det forbedrede barnesetet eller basen. Det kan føre til skade på det forbedrede barnesetet.
- ! Ikke vri opp de myke delene med stor kraft for å tørke dem. Det kan gjøre dem rynket.
- ! Tørk de myke delene i skyggen.
- ! Fjern det forbedrede barnesetet fra bilsetet hvis det ikke skal brukes på lengre tid.



FI Tervetuloa Joie™ -perheeseen

Olet ostanut korkealaatuisen, täysin sertifioidun lapsiturvallisien lapsen turvaistuimen. Tämä tuote soveltuu käytettäväksi pituudeltaan enintään 105cm ja painoltaan enintään 21kg lapsille.

Lue nämä ohjeet huolellisesti ja toimi asennusvaiheiden mukaisesti, koska tämä on AINOA tapa suojata lasta vakavalta vammalta tai kuolemalta onnettomuustilanteessa, ja tarjota lapselle mukavuutta tätä tuotetta käytettäessä.

Säilytä nämä käyttöohjeet tulevaa käyttöä varten.

Varmista

Jotta voit käyttää tätä Joie-järjestelmän parannettua lasten turvalaitetta i-Size ISOFIX -liitännöiden kanssa YK:n asetuksen nro 129/03 mukaisesti, lapsesi on täytettävä seuraavat vaatimukset.

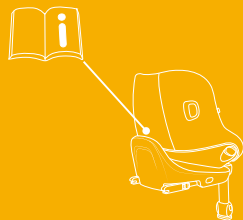
Taaksepäin suuntautuvana: Lapsen korkeus 40cm-105cm/ Lapsen paino ≤ 21kg; Kasvot menosuuntaan: Lapsen ikä ≥ 15m/ Lapsen pituus 76cm-105cm/ Lapsen paino ≤ 21kg;

Lue kaikki tämän käyttöoppaan ohjeet ennen tämän tuotteen asennusta ja käyttöä.

**! TÄRKEÄÄ: SÄILYTÄ TULEVAA KÄYTTÖÄ VARTEN.
LUE HUOLELLISESTI.**

Säilytä tätä käyttöopasta istuimen alaosassa olevassa säilytyslokerossa, kuten oikealla olevassa kuvassa.

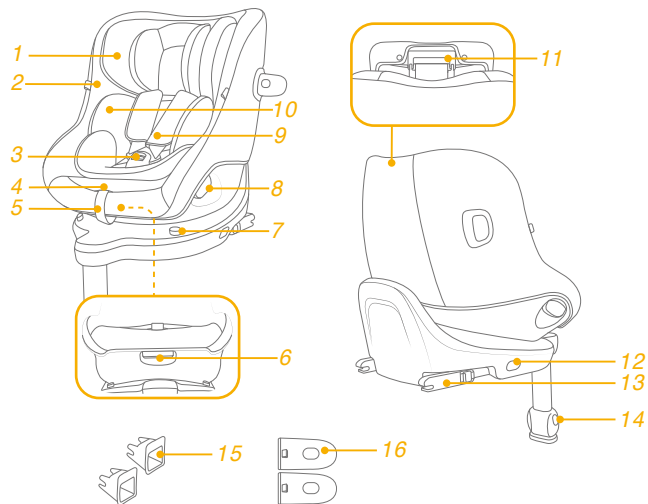
Tutustuaksesi takuutietoihin, siirry verkkosivustollemme joiebaby.com



Osaluettelo

Varmista, ettei mitään osia puutu. Ota yhteyttä jälleenmyyjään, jos jotakin puuttuu.

- | | |
|-----------------------------|------------------------------|
| 1 Päätuki | 10 Lisäosa |
| 2 Istuintyyny | 11 Päätuen säätövipu |
| 3 Solki | 12 ISOFIX-säätöpainike |
| 4 Valjaiden säätöpainike | 13 ISOFIX-liitin |
| 5 Säätonauhakudus | 14 Tukijalan säätöpainike |
| 6 Kallistuksen säätöpainike | 15 ISOFIX-kiinnitysohjaimet |
| 7 Kääntyvä lukitus | 16 Sivutörmäyssuojus |
| 8 Pyöriävä painike | *Käytettävä vain ovipuolella |
| 9 Hartiavaljaiden suojukset | |



VAROITUS

- ! PIDÄ huoli, että parannetun lapsen turvaistuimen jäykät kohteet ja siirrettävissä tulevat sijoitetuiksi niin, että niiden juuttuminen siirrettävään istuimeen tai ajoneuvon oveen on jokapäiväisessä käytössä epätodennäköistä.
- ! ÄLÄ käytä taaksepäin suunnattua parannettua lasten turvaistuinta istuimilla, joihin on asennettu aktiivinen frontaalinen turvatyyny.
- ! Jotta voit käyttää tätä parannettua lasten turvalaitetta YK:n säännön nro 129/03 mukaisesti, lapsesi on täytettävä seuraavat vaatimukset.
- ! Taaksepäin suuntautuvassa tilassa: Lapsen pituus 40cm-105cm/ max. 21kg;
Eteenpäin suuntautuvassa tilassa: Lapsen pituus 76cm-105cm/ max. 21kg;
- ! TÄRKEÄÄ - ÄLÄ KÄYTÄ KASVOT MENOSUUNTAAN -ASENTOA ENNEN KUIN LAPSI ON IÄLTÄÄN YLI 15 KUUKAUTTA (Katso ohjeet).
- ! Parannettu lasten turvalaite ei välttämättä sovi kaikkiin hyväksytyihin ajoneuvoihin säilytyslokeroiden tai ajoneuvon katolle jäävän tilan rajallisuuden vuoksi. Jos olet epävarma, ota yhteyttä jälleenmyyjään tai meihin.
- ! Kaikkien tukijalkojen on oltava kosketuksissa ajoneuvon lattiaan, kaikki lasta kiinnittävät hihnat on säädettävä lapsen vartalon mukaan, eivätkä hihnat saa olla kiertyneitä.

VAROITUS

- ! Kun lapsi on asetettu tähän parannettuun lasten turvaistuimeen, turvavyötä on käytettävä oikein. Varmista, että kaikkia sylihihnoja pidetään alhaalla niin, että lantio on kiinnittynyt lujasti, on kuormitettava.
- ! Tämä parannettu lasten turvaistuin tulee vaihtaa, jos se on altistunut voimakkaille rasituksille onnettomuudessa. Onnettomuus voi aiheuttaa silmille havaitsematonta vahinkoa.
- ! Pidä mielessä vaara, joka aiheutuu ilman toimivaltaisen viranomaisen hyväksyntää tehdyistä muutoksista tai lisäyksistä, ja vaaroja, jotka aiheutuvat siitä, ettei lasten parannetun turvaistuimen valmistajan toimittamia asennusohjeita noudateta tarkasti.
- ! Pidä tämä parannettu lasten turvaistuin poissa auringonpaisteesta, siitä voi tulla liian kuuma lasten iholle. Tunnustele parannettua lasten turvaistuinta ennen lapsen asettamista siihen.
- ! ÄLÄ KOSKAAN jätä lasta valvomatta tähän parannettuun lapsen turvaistuimeen.
- ! Kaikki matkatavarat tai muut esineet, jotka voivat aiheuttaa vammoja törmäystilanteessa, on kiinnitettävä kunnolla.
- ! Parannettua lasten turvaistuinjärjestelmää EI SAA KÄYTTÄÄ ilman pehmyttarvikkeita.
- ! Pehmyttarvikkeita ei saa vaihtaa muihin kuin valmistajan suosittemiin, koska pehmyttarvikkeet muodostavat kiinteän osan turvajärjestelmän suorituskyvystä.

VAROITUS

- ! Tarkista, voidaanko tämä parannettu lasten turvaistuinjärjestelmä asentaa oikein ajoneuvoosi ennen kuin ostat sen.
- ! MIKÄÄN parannettu lasten turvaistuin ei takaa täyttä suojausta vammalta onnettomuudessa. Tämän parannetun lasten turvaistuimen oikea käyttö kuitenkin vähentää lapsen vakavan vamman tai hengenmenetyksen vaaraa.
- ! ÄLÄ asenna tätä parannettua lasten turvaistuinta noudattamatta tämän käyttöoppaan ohjeita, muuten saatat asettaa lapsen vakavaan loukkaantumisen tai hengenmenetyksen vaaraan.
- ! ÄLÄ käytä tätä parannettua lasten turvaistuinta, jos se on vahingoittunut, tai jos siitä puuttuu osia.
- ! ÄLÄ pue lasta väljiin / liian suuriin vaatteisiin, se voi estää lasten turvallisen kiinnittämisen hartiavaljaisiin ja haarahihnaan jalkojen välissä.

Hätätilanne



Hätätilanteessa tai onnettomuuden sattuessa kaikkein tärkeintä on ensiavun saaminen lapselle ja hakeutuminen välittömästi lääketieteelliseen hoitoon.

Tuotetiedot

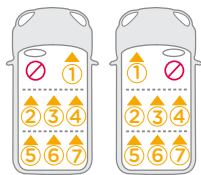
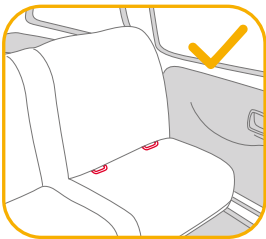
1. Tämä on i-Size tehostettu lapsen turvaistuin. Se on hyväksytty Yhdistyneiden Kansakuntien säädöksen nro 129 mukaisesti käytettäväksi i-Size-yhteensopivissa istumasijainneissa, jotka ajoneuvon valmistaja on osoittanut ajoneuvon käyttöoppaassa.
2. Jollet ole varma, ota yhteyttä parannetun lasten turvaistuinjärjestelmän valmistajaan tai jälleenmyyjään.

Materiaalit	Muovit, metalli, kankaat
Patenttinumero	Patenteja vireillä

Valitse asennuksesi

	Lapsen koko	Asennustila	Asennuskaavio	Viiteikä	Istumapaikka
ECE R129	40cm-105cm/ ≤21kg	Taaksepäin päin suuntautuvana		Noin 4 vuotta	Asento 1-5
	76cm-105cm/ ≤21kg	Eteenpäin suuntautuvana		15 kuukaudesta: noin 4 vuoteen	Asento 1-5

Asennuksessa huomioitavaa



Käytä sivutörmäyssuojaa

katso kuvat 1 - 2

1. Parannettu lapsen turvaistuin on varustettu irrotettavalla sivutörmäyssuojalla. Liitä sivutörmäyssuoja lähimpänä ovea olevalle puolelle. Asennus esitetty kohdassa 1.
2. Paina vapautuspainiketta irrottaaksesi sivutörmäyssuojan. 2

Korkeuden asetus päätuelle ja hartiavaljaille

katso kuvat 3 - 6

Säädä päätuki ja tarkista, että valjaiden hinnat ovat oikealla korkeudella kuvien 3 & 4 & 5 & mukaisesti 6

! Käytettäessä taaksepäin suunnatussa tilassa, hartiavaljaiden korkeuden on oltava samalla tasolla kuin lapsen hartiat tai juuri niiden alapuolella. 3

! Kun turvavyötä käytetään selkä menosuuntaan, sen on oltava lapsen olkapäiden yläreunan tasalla tai hieman sen yläpuolella. 4

Purista päätuen säätövipua 5 samalla, kun vedät ylös tai painat alas päätukea, kunnes se napsahtaa yhteen 6 asennosta, kuten kuvassa 6.

Kallistuksen säätö

katso kuvat 7 - 8

Paina kallistuksen säätöpainiketta säätääksesi tehostetun lasten turvalaitteen haluttuun asentoon. 7 & 8.

Siinä on 5 kallistusasettoa, joita voidaan käyttää sekä taakse- että eteenpäin suuntautuvana. 8

Alustan asennus

katso kuvat 9 - 15

1. Liitä ISOFIX-ohjaimet helpottaaksesi asennusta. 9
2. Paina ISOFIX-säätöpainiketta laajentaaksesi ISOFIX-liitintä. 11 -1 ja 11 -2
3. Varmista, että molemmat ISOFIX-liittimet on kiinnitetty tiukasti niiden ISOFIX-kiinnityspisteisiin. Molempien ISOFIX-liittimien ilmaisinten tulisi olla kokonaan vihreitä. 12 -1
- ! Paina ISOFIX-säätöpainikkeita uudelleen samalla, kun painat tuotteen selkänojaa, kunnes se tulee kosketuksiin ajoneuvon selkätuen kanssa.
4. Kiinnitettyäsi ISOFIX-liittimen, vedä tukijalka alas lattiaan. Kun tukijalan ilmaisin näkyy vihreänä, se on asennettu oikein. 12 -2
5. Purista tukijalan vapautuspainiketta ja säädä sitten tukijalan pituutta. 12 -3
- ! Varmista aina, että tukijalka on suorassa kosketuksessa lattiaan ja että se on lukitussa asennossa myös silloin, kun lapsi ei ole siinä.

Istuimen irrottaminen

1. Poistaaksesi turvaistuimen ajoneuvosta, paina ISOFIX-säätöpainiketta ja vedä alusta irti istuimesta. Paina ja vapauta sitten kiinnikkeet ajoneuvon ISOFIX-kiinnityspisteistä. 14
2. Estääksesi siirronaikaisen vahingon, paina ISOFIX-säätöpainiketta 15 -1 ja taita liitin kokonaan. 15 -2

Käyttö taaksepäin suunnatussa tilassa

(Lapsen pituus 40-105 cm / Lapsen paino ≤ 21kg / Vauva - 4 vuotias)

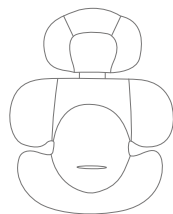
katso kuvat 16 - 23

- ! Asenna parannettu lapsen turvaistuin ajoneuvon takaistuimelle ja aseta sitten lapsi parannettuun lapsen turvaistuimeen.
- Paina kiertopainiketta lapsen sivulle asettamisen/purkamisen helpottamiseksi ja käännä istuin sitten selkä menosuuntaan. 16 & 17
- ! Paina kiertopainiketta jommalla kummalla puolella kiertääksesi parannettua lapsen turvaistuinta.

Lapsen kiinnittäminen

1. Pidentääksesi hartiavaljaiden voitä, paina valjaiden säätöpainiketta samalla, kun vedät ulos hartiavaljaiden hihnoja löysätäksesi niitä. 18
2. Avaa soljen lukitus painamalla punaista painiketta. 19
3. Kiinnitä istuimen molemmilla puolilla olevat soljet, jotka on esitetty kuvassa 20 ja jotka sijaitsevat istuimen molemmilla puolilla, jotta lapsen asettaminen selkä menosuuntaan on helpompaa.

Vauvalisävarusteen käyttö



On suositeltavaa käyttää koko vauvalisäosaa, kun vauva on alle 60 cm:n pituinen, ja sitä voi käyttää, kunnes hän on kasvanut lisäosaa pitemmäksi. Vauvan lisäosa parantaa sivutörmäyssuojausta.

4. Aseta lapsi parannettuun lasten turvaistuimeen ja vie molemmat kädet valjaiden läpi.
 5. Kiinnitä solki. Katso kuva ²¹
 6. Vedä säätönauhakudos alas ja säädä se oikeaan pituuteen niin, että lapsi on kiinnitetty tiukasti. ²²
- ! Pidä lapsi aina kiinnitettynä valjaisiin, jotka on kiristetty oikein poistamalla löysyys.
 - ! Varmista, että tila lapsen ja hartiavaljaiden hihnojen välillä on noin yhden kämmenen paksuuden mittainen.
 - ! Kun istuin on käännetty paikalleen ja asianmukaisesti kiinnitetty, pyörityspainike näyttää vihreää, muutoin se näyttää punaista. ²³
 - ! Varmista aina, että istuin on lukitussa asennossa (selkä menosuuntaan / selkä menosuuntaan) myös silloin, kun lapsi ei ole siinä.

Käyttö eteenpäin suunnatussa tilassa

(Lapsen korkeus 76cm-105cm/lapsen paino ≤21kg/
15 kuukautta - noin 4 vuotias)

katso kuvat ²⁴ - ³¹

- ! Asenna parannettu lapsen turvaistuin ajoneuvon takaistuimelle ja aseta sitten lapsi parannettuun lapsen turvaistuimeen.

Paina kiertopainiketta lapsen sivulle lastaamisen/purkamisen helpottamiseksi ja käännä istuin sitten eteenpäin suunnattuun asentoon. ^{24&25}

- ! Paina kiertopainiketta jommalla kummalla puolella kiertääksesi parannettua lapsen turvaistuinta.

Lapsen kiinnittäminen

1. Pidentääksesi hartiavaljaiden voitä, paina valjaiden säätöpainiketta samalla, kun vedät ulos hartiavaljaiden hihnoja löysätäksesi niitä. ²⁶
 2. Avaa valjaiden soljen lukitus painamalla punaista painiketta. ²⁷
- ! Irrota vauvansisäistuin, kun vaunu on selkä menosuuntaan. ²⁸

3. Aseta soljen kielekkeet tehostetun lasten turvalaitteen ulkosivulla olevaa magneettialuetta vasten niin, että kielekkeet pysyvät paikallaan.
 4. Aseta lapsi parannettuun lasten turvaistuimeen ja vie molemmat kädet valjaiden läpi.
 5. Kiinnitä solki.
 6. Vedä säätönauhakudos alas ja säädä se oikeaan pituuteen niin, että lapsi on kiinnitetty tiukasti. ²⁹
 7. Paina kääntölukituksen poiskytkentäpainiketta ³⁰⁻¹ samalla, kun käännät istuimen eteenpäin suunnattuun tilaan. ³⁰⁻²
- ! Kun istuin on käännetty paikalleen ja kunnolla kiinni, pyörityspainike näyttää vihreää, muutoin se näyttää punaista. ³⁰
 - ! Varmista aina, että istuin on lukitussa asennossa (selkä menosuuntaan / selkä menosuuntaan) myös silloin, kun lapsi ei ole siinä.
 - ! ISOFIX-liittimien tulee olla kiinni ja lukittuina ISOFIX-kiinnityspisteisiin. ³¹⁻¹
 - ! Tukijalka on asennettava oikein niin, että vihreä ilmaisoin näkyvissä. ³¹⁻²
 - ! Pidä lapsi aina kiinnitettynä valjaisiin, jotka on kiristetty oikein poistamalla löysyys.
 - ! ÄLÄ käytä selkä menosuuntaan -tilaa ennen kuin lapsesi pituus on vähintään 76 cm JA 15 kuukauden ikäinen.

Irrota pehmyttarvikkeet

katso kuvat ³² - ⁴⁰

Paina punaista painiketta soljen avaamiseksi. ³²

Toimi vaiheiden ³³ - ⁴⁰ mukaisesti irrottaaksesi pehmyttarvikkeet.

Kiinnittääksesi pehmyttarvikkeet takaisin pakoilleen, toista yllä esitetyt vaiheet käänteisessä järjestyksessä.

Hoito ja kunnossapito

- ! Säilytä pehmuste jossakin lapsen ulottumattomissa.
- ! Pese pehmyttarvikkeet alle 30 °C -asteisessa kylmässä vedessä.
- ! Älä silitä pehmusteita.
- ! Älä valkaise tai kuivapese pehmyttarvikkeita.
- ! Älä käytä laimentamatonta neutraalia pesuainetta, bensiiniä tai muita orgaanisia liuottimia parannetun lasten turvaistuimen tai alustan pesemiseen. Se voi vahingoittaa parannettua lasten turvaistuinta.
- ! Älä kuivaa pehmyttarvikkeita kiertämällä niitä suurella voimalla. Siitä voi jäädä pehmyttarvikkeisiin ryppyjä.
- ! Ripusta pehmyttarvikkeet kuivumaan varjoon.
- ! Irrota parannettu lapsen turvaistuin ajoneuvon istuimesta, jos sitä ei käytetä pitkään aikaan.





Allison Baby UK Ltd,
Venture Point, Towers Business Park
Rugeley, Staffordshire, WS15 1UZ

NUNA International B.V.
Van der Valk Boumanweg 178 C,
2352 JD Leiderdorp, The Netherlands

bring the kids™

Share the joy at joiebaby.com

IM-001176B

Other ManualsLib Projects



www.manualslib.com



www.manualslib.de



www.manualslib.es



www.manualslib.fr



www.manualslib.nl



www.manualslib.mx



www.manualslib.tech 30+ Languages