

FH2-HY11

H₂ SENSOR MODULE

FH2-HY11

for HYDROGEN LEAK DETECTION

The FH2-HY11 is a newly developed hydrogen sensor module, specifically designed for preventing hydrogen leaks in fuel cell systems. For these applications, a reliable hydrogen sensor is required and we have developed a new catalytic combustion type hydrogen sensor with a minimum mass and wide surface area using a unique technology.

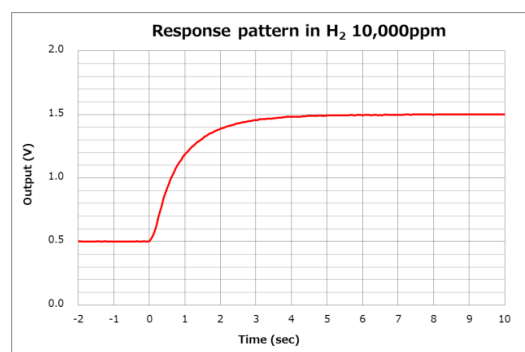
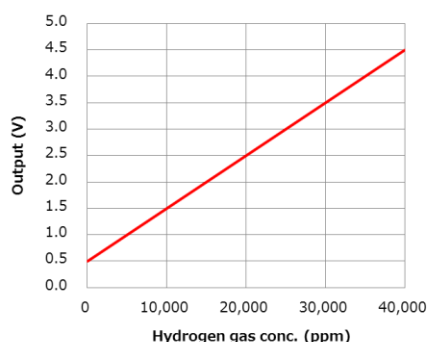
The development of this sensor realizes a rapid response speed and strong poisoning resistance against silicone compounds. These features achieve the expected demands for long life in various applications, without any need for replacing modules over a long period.

In combination with sophisticated electronics and software design, we offer the following features in hydrogen leak detection.



Features

- Quick start-up time
- Rapid response speed
- Compact and light weight
- Long life
- High Selectivity

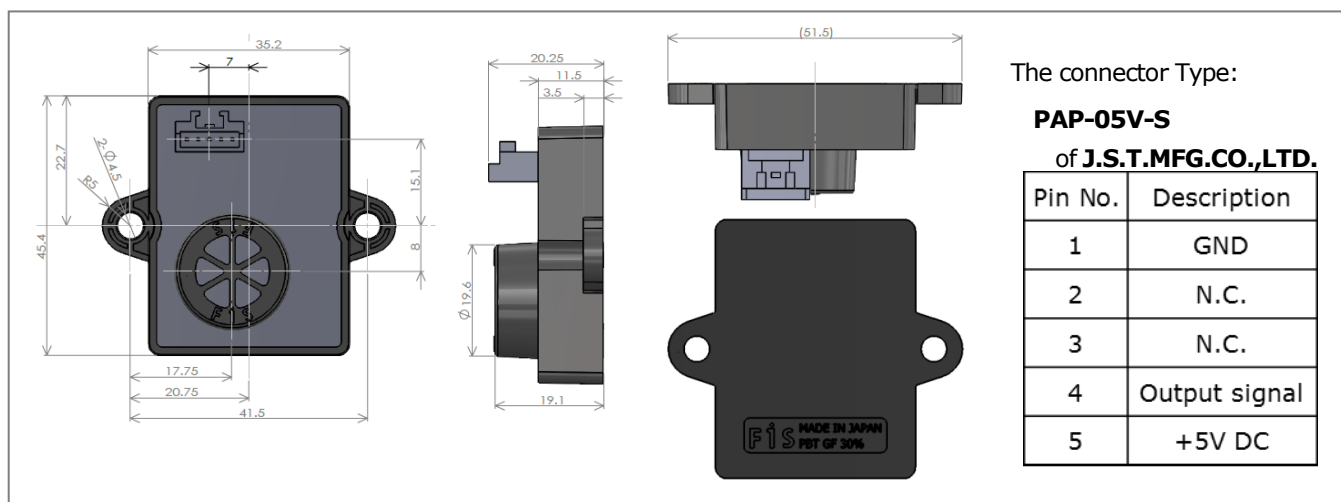


SPECIFICATIONS

Specifications: FH2-HY11

Item	Contents
Detection method	Catalytic combustion
Detection gas / range	Hydrogen / 0 to 4 vol.%
Output signal	0.5 V to 4.5 V DC proportional to hydrogen gas concentration
Response speed (T90)	≤ 3 seconds
Start-up time	≤ 1 second
Supply voltage	5 V ± 0.25V DC
Power consumption	Approx. 0.25 W
Operating temperature	-35 °C to 85 °C (no condensation)
Storage temperature	-40 °C to 85 °C (no condensation)
Dimensions (without the attaching part)	35.2 (W) × 45.4 (D) × 20.25 (H) mm
Weight	Approx. 24 g
Applications	Fuel Cell systems for commercial/domestic fields

DIMENSIONS / CONFIGURATIONS



Please contact

Dec. 2021 Revised

Nissha FIS, Inc.
2-4-28, Tagawa
Yodogawa, Osaka
532-0027 Japan

Tel: +81 6-7176-3911
Fax: +81 6-7176-3912
<http://www.fisinc.co.jp>

In the interest of continued product improvement, we reserve the right to change design features without prior notice.