

FH2-HY04-GS2

SPECIFICATIONS

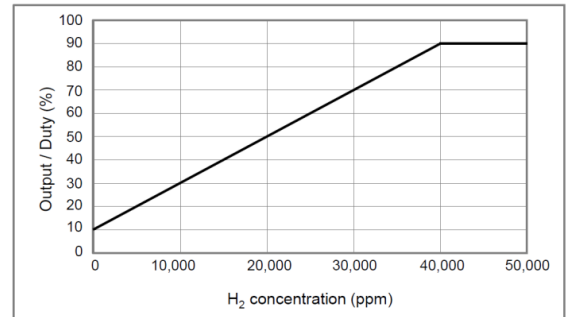
H₂ DETECTOR (12V/PWM) FH2-HY04-GS2 for HYDROGEN LEAK DETECTION

The FH2-HY04-GS2 is a hydrogen detector, specifically designed for detecting hydrogen leaks in fuel-cell vehicles (FCV).

This sensor realizes a rapid response speed and strong poisoning resistance against silicone compounds.

These features achieve the expected demands for long life in actual applications in automobiles, without any need for replacing detectors over a long period.

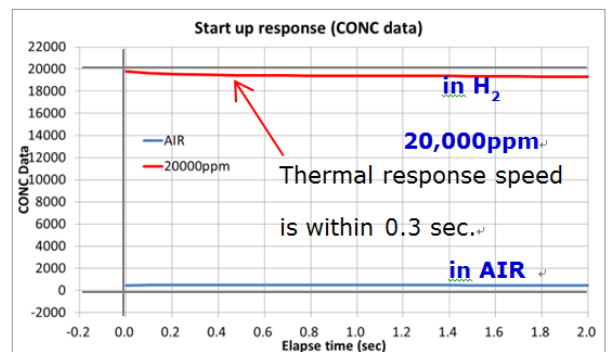
In combination with sophisticated electronics and software design, we offer the following features in hydrogen leak detection.



$H_2 \text{ concentration (ppm)} = 500 \times (\text{Duty\%} - 10)$

Features

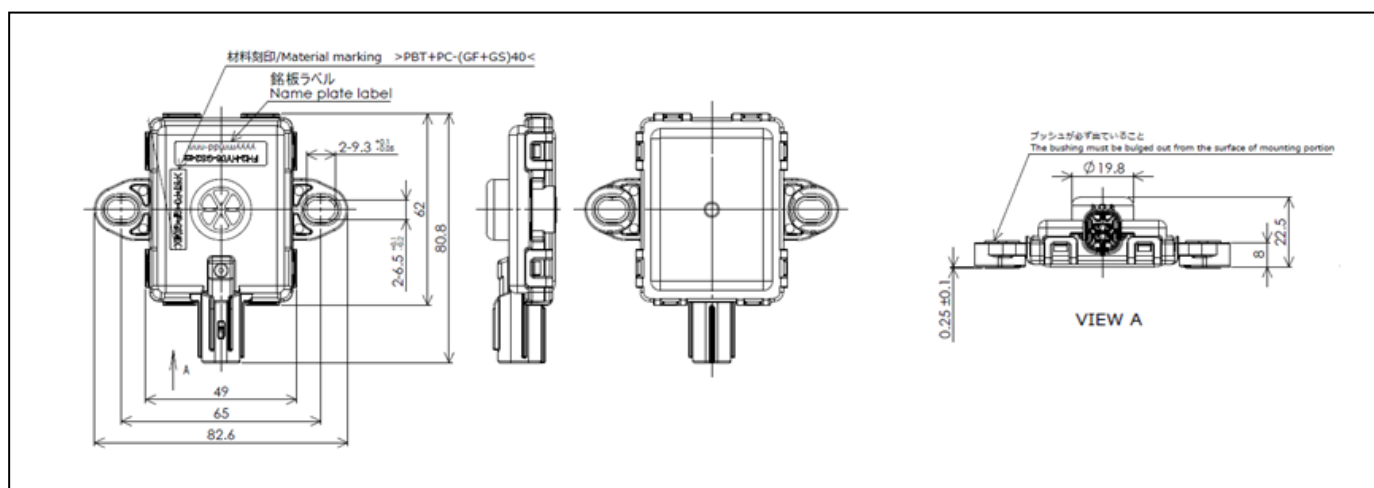
- Quick start-up time
- Rapid response speed
- Long life
- High Selectivity



Specifications: FH2-HY04-GS2

Item	Contents
Detection gas	Hydrogen
Concentration range	0 to 4 vol.% in air
Initial accuracy	0 ppm: 0~1,000 ppm More than 10,000 ppm: ±10 %
Speed of response (T90)	≦ 3 seconds
Start-up time	≦ 1 second
Supply voltage	12 V (9 to 16 V) DC
Power consumption	≦ 1,000 mW (at stable state)
Output signal	PWM (10 to 90 % duty); negative logic
Operating temperature range	-35 °C to 85 °C / <100 % RH
Operating environment	Oxygen concentration 20 % ± 10 %
Storage temperature range	-40 °C to 105 °C
Dimensions	82.6 (W) × 80.8 (D) × 22.5 (H) mm
Weight	Approx. 58 g

DIMENSIONS / CONFIGURATIONS



Please contact

Nov. 2022 Revised

Nissha FIS, Inc.
 2-4-28, Tagawa
 Yodogawa, Osaka
 532-0027 Japan

Tel: +81 6-7176-3911
 Fax: +81 6-7176-3912
<http://www.fisinc.co.jp>

In the interest of continued product improvement, we reserve the right to change design features without prior notice.