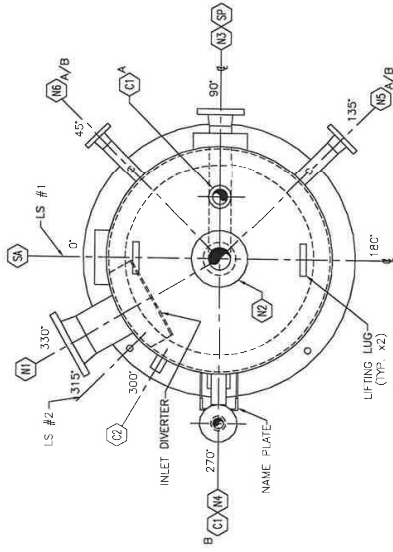
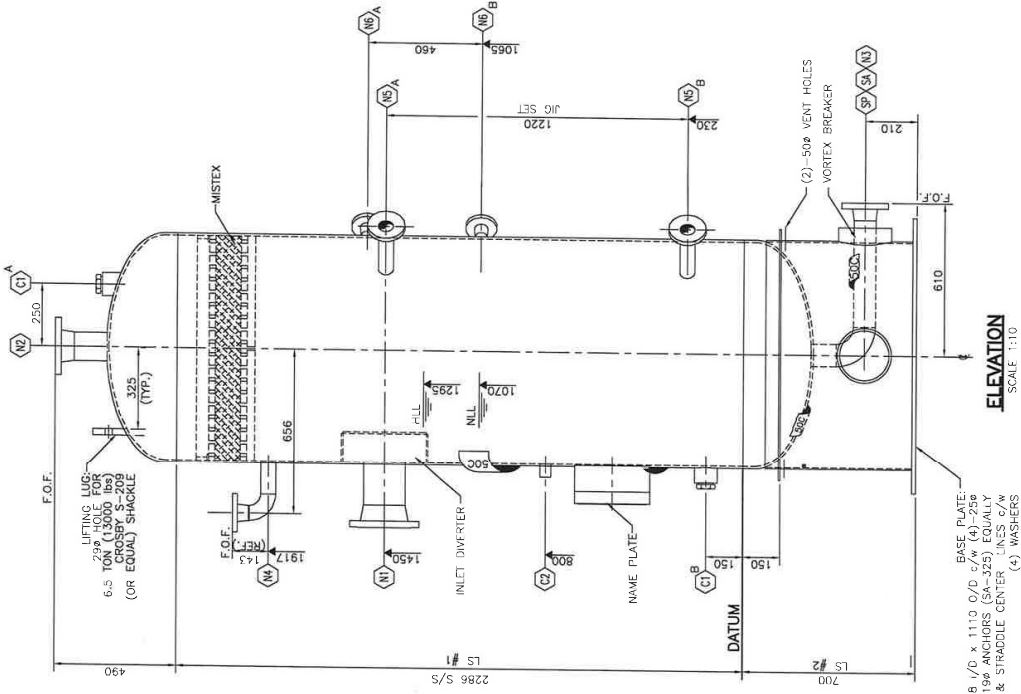


PROPAK SYSTEMS LTD POSTAL BAG # 2, AIRDRIE, ALBERTA, CANADA T4B 2C3				PRESSURE VESSEL				SHEET 1 OF 1 FILE NO: 11.7.V REQ.#	
CUSTOMER : Leucrotta Exploration				REV	BY	DATE	REVISION DESCRIPTION		
PLANT : Doe Creek Sour Gas Plant				0	DNW	11/15/2014	ISSUED to DRAFTING		
SERVICE : Refrigerant Economizer									
JOB NO. : W145165 TAG NO: V-3206									
MFR. : PSL MODEL NO:									
1	PART	REQ'D(THICKNESS)	MATERIAL (SPEC)	MK	SERVICE	SIZE	RATING	FLANGE	PROJECT
2	SHELL		SA-516-70N	N1	GAS INLET	168	150 ANSI	RFWN	
3	HEADS		SA-516-70N	N2	GAS OUTLET	114	150 ANSI	RFWN	
4	SKIRTS		SA-36	N3	LIQUID OUTLET	89	150 ANSI	RFWN	
5	SADDLES			N4	PSV	60	150 ANSI	RFWN	
6	PIPE		SA-106-B	N5 A/B	LG / LIT	60	150 ANSI	RFWN	
7	PIPE FITTINGS			N6 A/B	LSHH	48	150 ANSI	RFWN	
8	FLANGES		SA-105N						
9	COUPLINGS		SA-105N						
10	BOLTS		SA-193-B7						
11	NUTS		SA-194-2H						
12	GASKETS	CHLOROCARB	304SS						
13	COIL								
14	RISER								
15	PACKING SUPPORT			C1A/B	INSECTION W/ PLUGS	60	3000#	CPLG	
16	TRAY SUPPORTS			C2	TI	27	3000#	CPLG	
17	BAFFLES								
18	INLET BAFFLE		SA-516-70N						
19	VORTEX BREAKER		SA-516-70N						
20	SYPHON DRAIN								
21	DEMISTER	193kg/m3,102mm TK	304 SS						
22	DISTRIB. SPIDER								
23	PACKING								
24	TRAYS								
25	PLATFORM								
26	LADDER								
27	DAVIT								
28	INSULATION RINGS		C.S.						
29	LIFTING LUGS								
30	PIPE CLIPS								
31	PIPE SUPPORTS			SA	SKIRT ACCESS			CODE	
32	SKIRT VENTS	TWO@180	STD DIAM	SP	PIPE ACCESS			CODE	
33	SKIRT ACCESS		STD						
34									
35	DESIGN DATA								
36	SIZE: ID (in)		OD : (mm)	914	NOTES:				
37	S/S (in)	2286	CAPACITY: (m3)						
38	DES PRESS (kPag)	1792	OPER. PRESS (KPa)	655					
39	DES TEMP ° C	88	OPER. TEMP ° C	11.06					
40	HYDROTEST (kPag)	2329.6	CORR. ALLOW. (mm)	1.59					
41	MDMT ° C	-28.8	CYCLIC LOAD	NO					
42	X-RAY	CODE	STRESS RELIEVE	NO					
43	WIND LOAD (mph)	TBD	EARTHQUAKE ZONE						
44	SOUR SERVICE	NO	INSUL THK (mm)	50C					
45	FIREPROOF	NO	REFRACTORY THK (mm)	NO					
46	INT. SURFACE PREP.		EXT. SURFACE PREP.	PROPAK STD PNT11					
47	INT. COATING		PRIMER COAT	PROPAK STD PNT11					
48	ASME SEC. VIII DIV.	1	FINISH COAT	PROPAK STD PNT11					
49	STAMP REQ'D	YES	FINISH COLOR	PROPAK STD PNT11					
50									
51	WEIGHT EMPTY (kg)		HYDRO WEIGHT (kg)						
52	LSD	13-24-80-15 W6M							
53									
54									
55									
56									
57									



**NOZZLE SCHEDULE**

MK	SIZE	RATING	FACING	SCH	SERVICE	WELD
N1	8 NPS	150#	RFVN	180	GAS INLET	Z50
N2	4 NPS	150#	RFVN	180	GAS OUTLET	SPEC
N3	3 NPS	150#	RFVN	180	LIQUID OUTLET	SPEC
N4	2 NPS	150#	RFVN	180	PSV	SPEC
A/B	2 NPS	150#	RFVN	180	LO/LI	250
A/B	1-1/2 NPS	150#	RFVN	180	LS/H	250
A/B	2 NPS	6000#	CPFG	XL	INSPECTION (PLUGGED)	57 MIN
C1	3/4 NPS	8000#	CPFG	XL	II	57 MIN
SA	8 NPS	---	PIPE	STD	SKIRT ACCESS	50
SV	2"	---	HOLE	---	SKIRT VENT	---

SERVICE: PROPANE  
 LOADINGS PER UG-22(a) CONSIDERED GOVERNS: NO  
 PRODUCTION IMPACT TEST REQ'D: NO  
 IMPACT TESTING: NG-PLER UG-201(1-5)  
 CAPACITY: 1.69 m<sup>3</sup>  
 WEIGHT EMPTY: 1170 kg (INCL. INSULATION)  
 WEIGHT FULL OF WATER: 2660 kg  
 PAINT SPEC: FMT-11  
 INSULATION: 50 HR. 50MMGLASS C/W ALUMINUM JACKET  
 SHIP LOOSE: NO

SERIAL NO: 145165-111-08  
 YEAR BUILT: 2015  
 LSD # 13-24-80-15 WGM  
 CSME SECT VIII DIV 1.13  
 DESIGN PRESSURE: 1792 kPag  
 NOTE: DES. PRESS. IS MAMP  
 M.D.M.T.: 28.9°C @ 1792 kPag  
 HYDROTEST PRESSURE: 2330 kPag  
 MATERIAL: HEAD: SA-516-70N  
 SHELL: SA-516-70N  
 RADIOGRAPHY: LONG: FULL UW-11(G)  
 CIRG: SPOT UW-11(G)(56)  
 P.W.T. NO  
 CORR. ALLOWANCE: 1.59mm  
 TAG NO: V-3206  
 CRN: W5107.2  
 ADDENDA: -

APPROVED BY: [Signature]  
 CHECKED BY: [Signature]  
 PROJECT DATE: [Date]  
 SCALE: AS NOTED  
 DWG. NO: D-ECO-145165-111-08-SKT(1) OF 1 SKT

LEUOROTTA EXPLORATION INC.  
 440 East Lake Road,  
 Airdrie, Alberta  
 Canada T4A 2J8  
 V-3206  
 914 O/D x 2286 S/S