

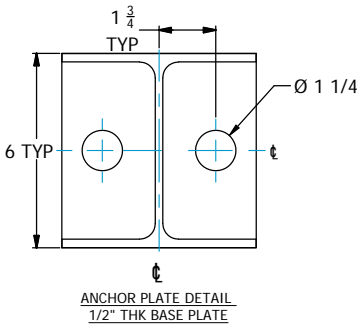
ISO VIEW

AS BUILT

MODELED BY: DHC DETAILED BY: DHC CHECKED BY: ADM APPROVED BY: BJY	UNLESS OTHERWISE SPECIFIED		CHART COOLER SERVICE CO, INC. 3515 DAWSON RD. TULSA, OK 74115 (918)621-5200		
	1. REMOVE ALL BURRS AND SHARP CORNERS. 2. COR. RAD .03 3. DO NOT SCALE DRAWING. 4. ALL DIMENSIONS ARE IN INCHES. 5. ALT DIMENSIONS ARE IN MM 6. MACHINE FIN.	7. FABRICATION .X = ± 0.25 .XX = ± 0.125 .XXX = ± 0.06 FRACTION = ± 1/8 ANGLES ± 3° 8. MACHINE .X = ±0.030 .XX = ±0.015 .XXX = ±0.005 ANGLES ±1/2° FRACTION = ± 1/64	TITLE: COVER PAGE CLIENT: VENTECH XTL OKLAHOMA CITY LLC SERVICE: SYNGAS TRIM COOLER #1 TAG NO.: AE-301 PO#: 477010-14-03121 PROJECT: GTL(003622) 250 BPD GTL PLANT PROJECT DATE: 3/19/2015 JOB No.:45514 MODEL: 1-HF120-2-30 REV. 0 DRAW NO.: 45514-AB-A-1 UNITS: 1		

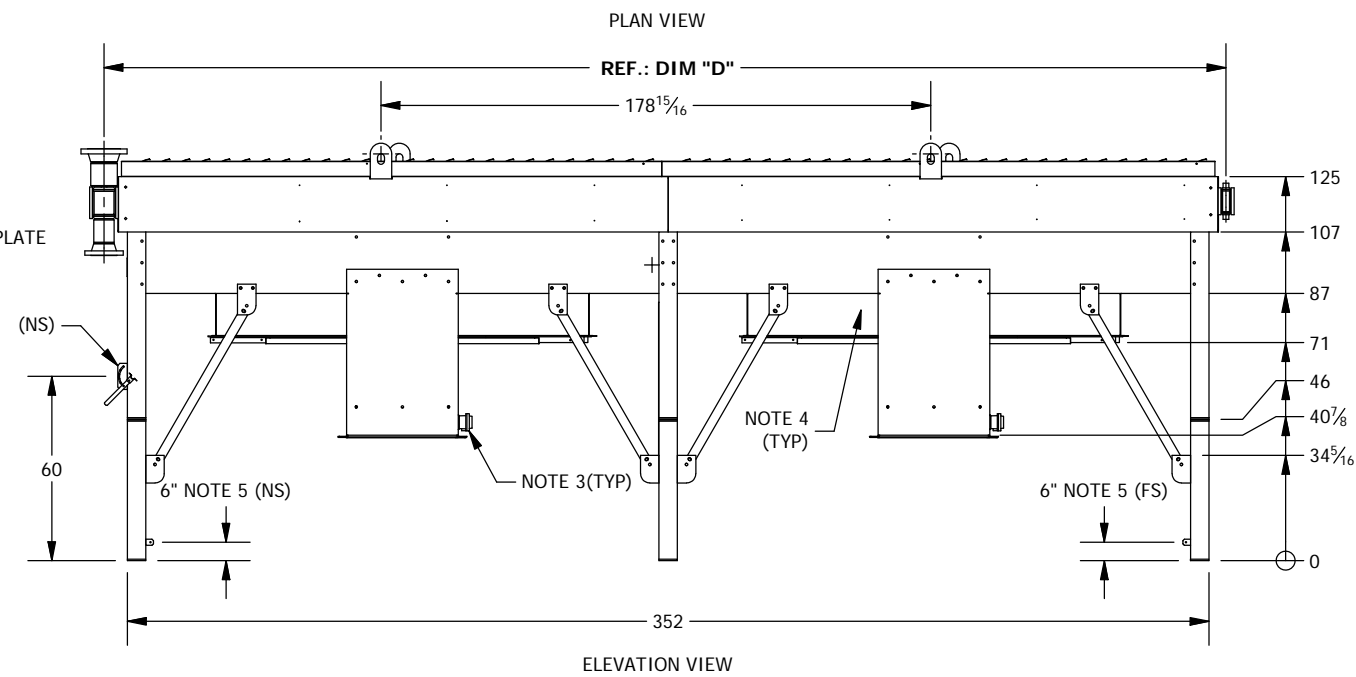
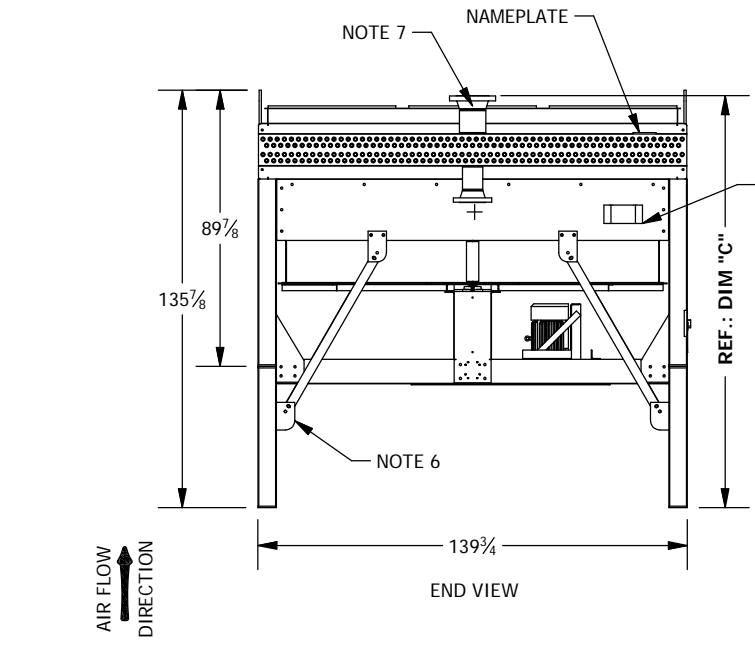
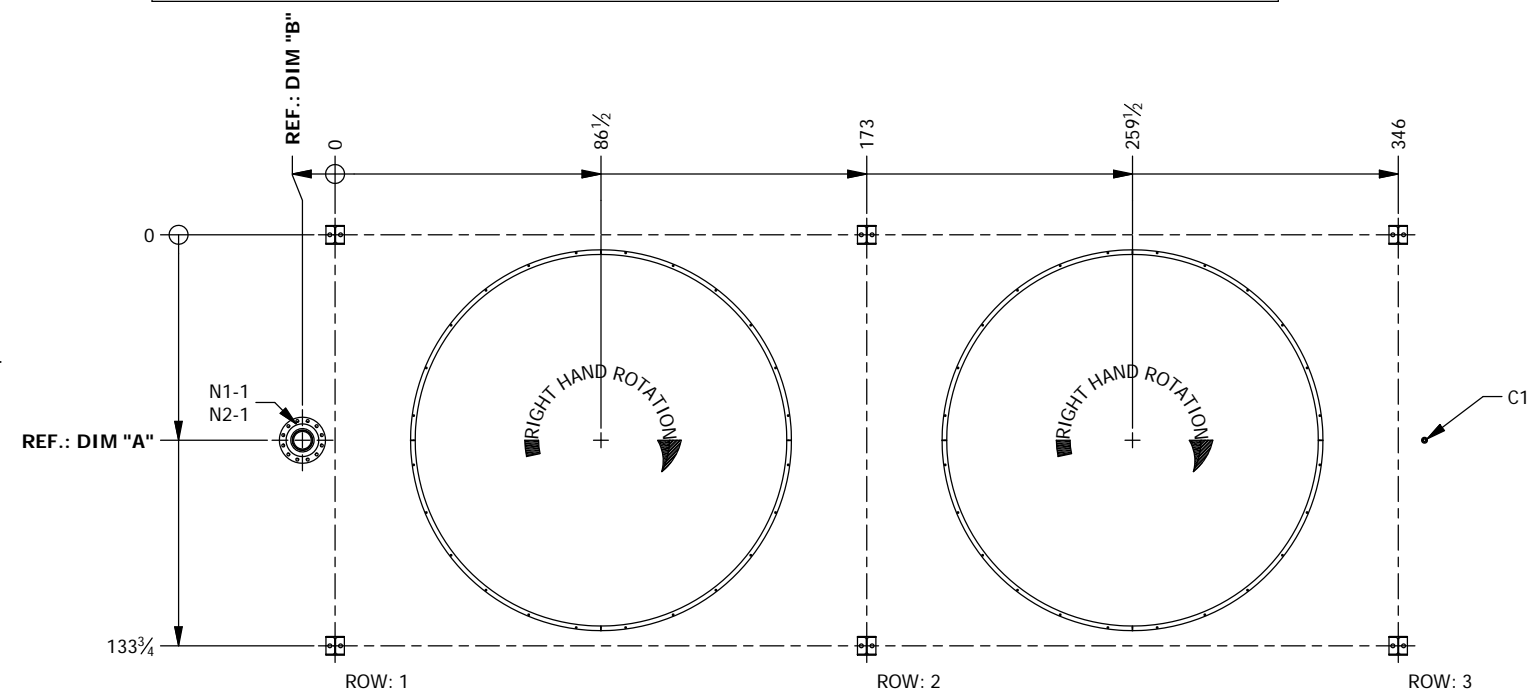
WET/OPERATING WEIGHT: 26600/26600		WIND SP: 90 mph		SNOW LOAD: 20 lbs/sq-ft		PLATFORM: 100lbs/sq-ft LIVE					
DRY WEIGHT: 24200		WIND LOAD: 29 psf		SEIS ZONE: 1							
COLUMN LOAD (KIPS)	DRY DEAD	WET DEAD	WIND VERT	WIND HORIZ	SEIS VERT	SEIS HORIZ	SNOW	PLATFORM	NOZ VERT	NOZ HORIZ	TOTAL
Row 1/Column	3.1	3.4	0.9	0.6	0.5	0.3	1.8	0	4.2	3.7	10.8
Row 2/Column	6.1	6.7	1.8	1.2	1	1	3.5	0	0	0	13
Row 3/Column	3.1	3.4	0.9	0.6	0.45	0.3	1.8	0	0	0	6.6

COIL #	SERVICE	CODE	PRESSURES (psig) [barg]			TEMPERATURES (°F) [°C]				TOP OF COIL	
			DESIGN	OPERATING	TEST	DESIGN	INLET	OUTLET	AIR DESIGN INLET		AIR DESIGN OUTLET
1	SYNGAS TRIM COOLER #1	ASME CODE SEC. VIII DIV. 1, 2013 ED., APP 13 - API-661	220	170	294	350	277	120	100	155	LOUVER



- GENERAL NOTES:**
- COOLER IS OF BOLTED CONSTRUCTION.
 - FINISH: GALVANIZED.
 - VIBRATION SWITCH: METRIX 5550-121-021
 - RED ARROW TO BE PAINTED ON SIDE OF FAN RING TO INDICATE DIRECTION.
 - GROUNDING LUGS W/ 7/16" TAPPED HOLE.
 - 3/4" DIA BOLTING ON STRUCTURAL COMPONENTS.
 - SERIES 500 MANUAL LOUVER.

COIL ORDER (LEFT TO RIGHT) W/ COIL VOLUMES.
SYNGAS TRIM COOLER #1 (COIL 1) = 284 GAL



DRIVE	
FAN SHEAVE	QD3/5V28.00
MOTOR SHEAVE	QD3/5V4.90
BELTS	3 - 5VX1080
CENTER DIST	25.5
MOTOR	
HP	20
RPM	1750
FRAME	256T
ENCLOSURE	TEFC Ins F TR B
VOLTS	460
FREQUENCY	60
PHASES	3
FAN	
MAKE	MOORE
DIA. (ft)	10
MODEL	10000-36 SC
BLADE QTY	6
PITCH	20.54
ACFM/FAN	115199
RPM	301
HP	16.31
BEARING	
FAN	1.9375 SCM 4 BOLT FLANGE
IDLER	-

AS BUILT

TAG	SERVICE	DIM A	DIM B	DIM C	DIM D	DESCRIPTION
N1-1	COIL 1 INLET 1	66-7/8 in	10-5/8 in	134-1/8 in	365-3/16 in	8"-300# RF-WN 0.5" WT (Sch. 80) (Wgt. X-Stg.) SA-182 F304L
N2-1	COIL 1 OUTLET 1	66-7/8 in	10-5/8 in	99-3/8 in	365-3/16 in	6"-300# RF-WN 0.432" WT (Sch. 80) (Wgt. X-Stg.) SA-182 F304L
C1	VENT/ DRAIN	--	--	--	--	1"-6000# FULL CPLG. (THD) W/ HEX PLUG SA-182 F304L

MODELED BY: DHC	UNLESS OTHERWISE SPECIFIED
DETAILED BY: DHC	
CHECKED BY: ADM	
APPROVED BY: BJY	

CHART COOLER SERVICE CO, INC. 3515 DAWSON RD. TULSA, OK 74115 (918)621-5200		
TITLE:	BAY ARRANGEMENT	
CLIENT:	VENTECH XTL OKLAHOMA CITY LLC	
SERVICE:	SYNGAS TRIM COOLER #1 TAG NO.: AE-301	
PO#:	477010-14-03121	PROJECT: GTL(003622) 250 BPD GTL PLANT PROJECT
DATE:	3/19/2015	JOB No.: 45514
REV. 0	DRAW NO.: 45514-AB-A-2	UNITS: 1