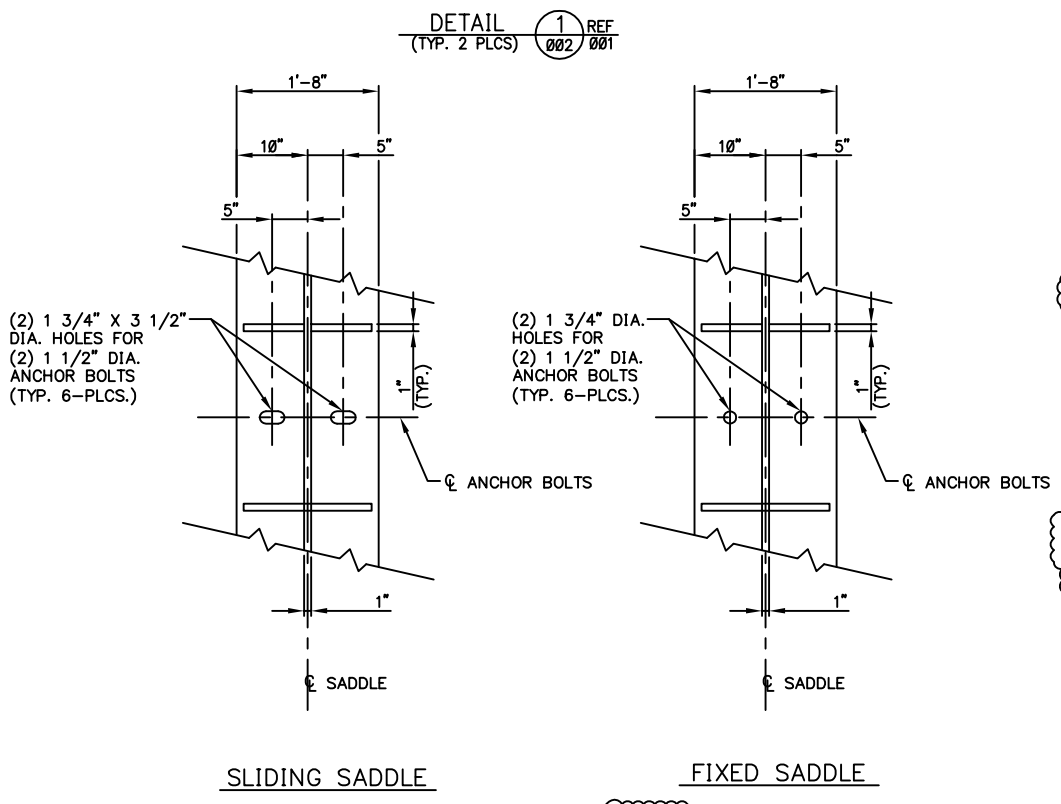
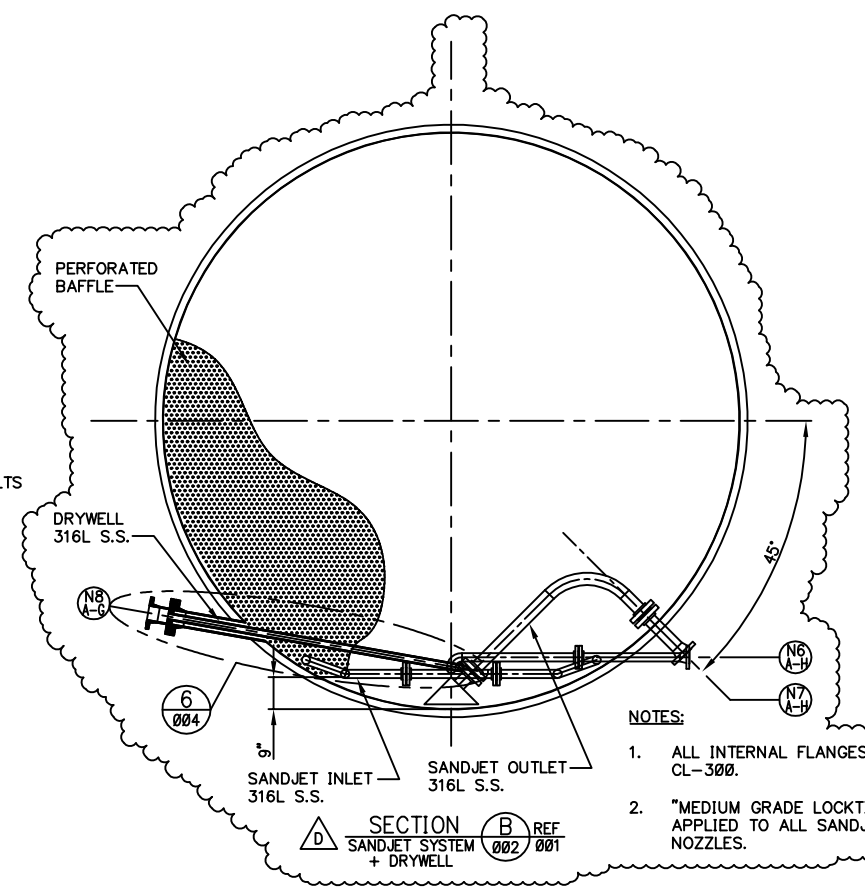


DSGN/CNST

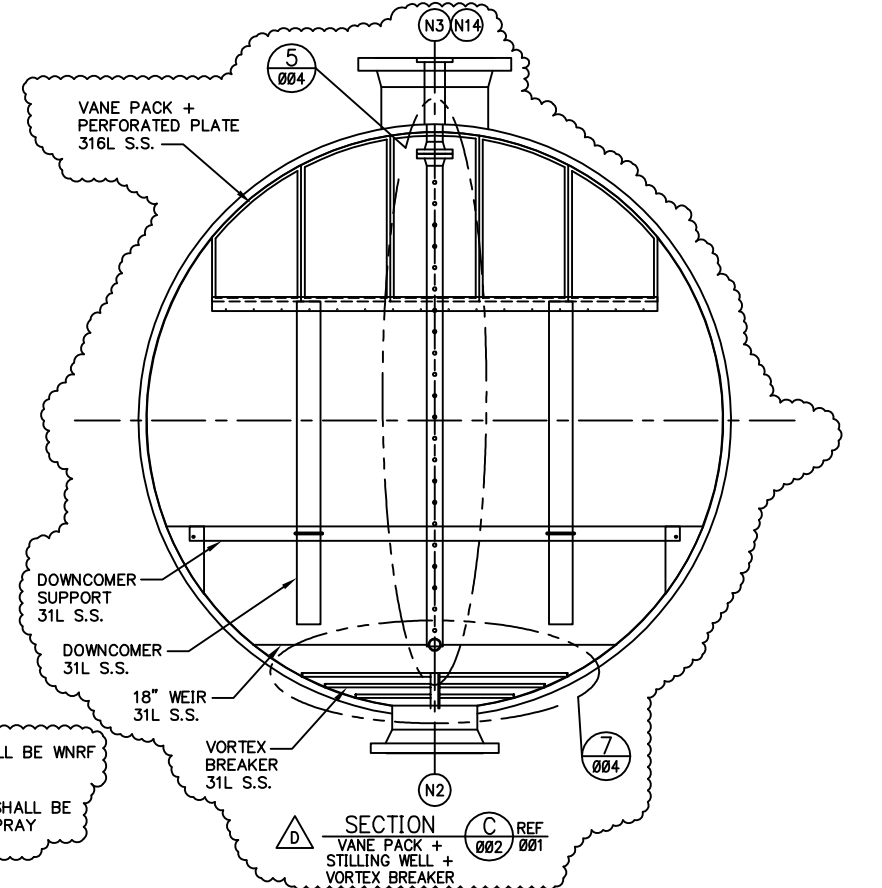


DETAIL 1 REF (TYP. 2 PLCS) 002/001



SECTION D REF SANDJET SYSTEM + DRYWELL 002/001

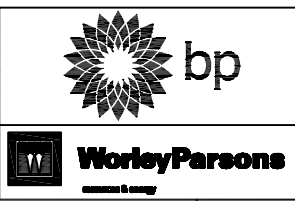
- NOTES:
- ALL INTERNAL FLANGES SHALL BE WNRF CL-300.
 - "MEDIUM GRADE LOCKTITE" SHALL BE APPLIED TO ALL SANDJET SPRAY NOZZLES.



SECTION C REF VANE PACK + STILLING WELL + VORTEX BREAKER 002/001

NO.	DATE	REVISION	BY	CHK	APPD	NO.	DATE	REVISION	BY	CHK	APPD
A	01/08	ISSUED FOR IN-HOUSE REVIEW PER EPT 37305244-02	NH	RHK	RHK						
B	04/08	ISSUED FOR CLIENT REVIEW PER EPT 37305244-02	NH	RHK	RHK						
C	11/08	ISSUED FOR APPROVAL PER EPT 37305244-02	KST	RHK	RHK						
D	12/08	ISSUED FOR SQUAD CHECK PER EPT 37305244-02	KST	RHK	RHK						

ENGINEERING RECORD	DATE
DRN:	NH 01/08
DSGN:	NH 01/08
CHK:	RHK 01/08
APP:	RHK 01/08
SCALE:	NONE



TITLE OF DRAWING:		WORK ORDER	DRAWING NUMBER	REV	SHEET
Z PAD VESSELS DETAILS SUPPORT AND INTERNALS INLET SEPARATOR VSP-Z6011		37305244-02	VS-WPZ-00010	D	002
MODULE:	601	JOB NUMBER:			OF 006